

HI-TECH SPRAY EQUIPMENT, S.A.

Parts Identification

BLAZE

GUN

Issue 1.3

10/03/2026

Ref. NR-00149-ENG



Before starting or doing maintenance on the BLAZE GUN, carefully read all of the technical and safety documentation included in the Service Manual. Special attention should be paid to the information for knowing and understanding the handling and conditions of use of the gun. This information is aimed at USER SAFETY and the PREVENTION OF PROBLEMS.

WARRANTY

HI-TECH SPRAY EQUIPMENT, S. A. (hereinafter "HI-TECH") grants this Guarantee limited to the original purchaser (hereinafter "Client") for the equipment and the original accessories delivered with the equipment (hereinafter "Product") against any fault in design, materials or manufacture of the Product at the time of the first purchase by the users and for a period of two (2) years thereafter, except in the case of hoses and TSU's, which will have a warranty period of one (1) year. Additionally, for any other product manufactured by external suppliers, the warranty period will be as specified by the manufacturer.

If during the guarantee period and under normal conditions of use, the Product should fail to work correctly due to defects of design, material or manufacture, the authorised distributor of the country where the HI-TECH Product or technical assistance service has been purchased shall repair or replace the Product in accordance with what is established in the following

CONDITIONS

- a) The validity of this guarantee will be subject to the presentation of the original invoice issued by the HI-TECH authorised distributor for the sale of the Product along with the Product handed over for repair or replacement, which must show the date of purchase and the serial number. HI-TECH reserves the right to refuse to give the guarantee service when the indicated data fail to appear on the invoice or have been modified after the purchase of the Product.
- b) The repaired or replaced Product will continue to maintain the original guarantee for the time remaining until the end of the guarantee or for three (3) months from the repair date, if the remaining period of the original guarantee were shorter.
- c) This guarantee will not be applied to the faults in the Product caused by its faulty installation, the natural wear and tear of the components, any use other than that considered normal for this Product or which should fail to strictly comply with the instructions of use provided by HI-TECH; due to accident, carelessness, adjustments, alterations or modifications of the Product not authorised by HI-TECH or due to the use of accessories, heating devices, pumping equipment and/or dispensers that have not been approved or manufactured by HI-TECH.
- d) The guarantee applicable to the components and accessories forming part of the Product and which have not been made by HI-TECH will be limited to the guarantee offered by the original manufacturer thereof.

HI-TECH WILL NOT RECOGNISE ANY EXPRESS ORAL OR WRITTEN GUARANTEES OTHER THAN THIS PRINTED LIMITED GUARANTEE. ALL IMPLICIT GUARANTEES, INCLUDING, WITHOUT LIMIT, ADAPTATION FOR A SPECIFIC USE, ARE SUBJECT TO THE DURATION OF THIS WRITTEN GUARANTEE. HI-TECH DOES NOT ASSUME ANY KIND OF COMMITMENT OR RESPONSIBILITY FOR ALL POSSIBLE DAMAGE OR EXPENSE CAUSED BY FAULTS IN THE OUTPUT OF THE PRODUCT, ITS WORKING OR THE DISPENSING OF MATERIAL THROUGH THE PRODUCT, INCLUDING, WITHOUT LIMITATION, ALL EXPENSES CAUSED BY DAMAGE TO PEOPLE OR PROPERTY. EQUALLY, HI-TECH WILL IN NO CASE ACCEPT LIABILITY FOR THE LOSS OF SPECULATIVE PROFITS OR COMMERCIAL LOSSES. ALL REPAIRS OR REPLACEMENT OF FAULTY PRODUCTS WILL CONSTITUTE THE COMPREHENSIVE FULFILMENT OF HI-TECH'S OBLIGATIONS WITH RESPECT TO THE CLIENT. HI-TECH DOES NOT IN ANY WAY GUARANTEE THE SUITABILITY OR APTITUDE OF ITS PRODUCT FOR ANY PARTICULAR PURPOSE OR APPLICATION.

All of the information provided on components which have not been manufactured by HI-TECH and which is based on reports received from the original manufacturer, though considered precise and reliable, is provided without any guarantee or responsibility of any explicit or implicit kind.

All concession, sale or financial leasing of the Product by HI-TECH in no case explicitly or implicitly constitutes any authorisation, acceptance or concession for the use of any rights or patents, nor does it encourage, nurture or back their infringement.

The restrictions on the guarantee suppose no limitation on the legal rights of the consumer established in applicable national legislation, nor do they affect any rights derived from the bargain and sale agreement between the consumer and supplier.

Parts Identification Manual

All of the information provided in this manual has been included with the confidence that it is true, but this does not constitute any implicit or explicit guarantee. **HI-TECH** reserves the right to make, at any time and without prior notice, the necessary improvements and modifications to this manual in order to rectify possible typographical errors, expand the information provided, and introduce the changes in the characteristics and functions of the equipment.

SAFETY AND HANDLING

The equipment described in this manual has been designed and manufactured in compliance with the following European Directives, following as application guide the harmonized standards detailed and in conformity with the relevant UK Statutory Instruments (and their amendments):

2006/42/EC Machinery Directive

2014/35/EU Low Voltage Directive

2014/30/EU EMC Directive

2011/65/EU RoHS Directive with amendment 2015/863

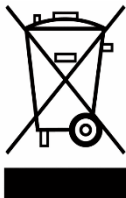
2012/19/EU Directive on waste electrical and electronic equipment

Standards used:

EN ISO 12100:2010

EN 1953:2013

EN IEC 63000:2018



Electrical products cannot be thrown out with the rubbish. They must be taken to a dedicated collection point for an environmentally sound disposal in accordance with local regulations. You must contact your local collective or retailer for information about recycling. Before leaving WEEE at appropriate collection facilities, batteries must be removed and disposed of separately for proper recycling. The packaging materials are recyclable. Dispose of packaging materials in an environmentally sound manner and place them at the disposal of recycling sectors.

TRANSPORT AND STORAGE

Proper precautions must be taken so that the equipment can withstand the effects of transport and storage temperatures between -25°C and $+55^{\circ}\text{C}$ or up to $+70^{\circ}\text{C}$ for short periods that do not exceed 24 hours. Also, appropriate means to prevent damage from moisture, vibrations or shocks must be foreseen.

METHOD OF THREADED UNION OF THE HOSES

Follow the torques for threaded joints listed in **Table 1** according to thread sizes of hose fittings to ensure their proper assembly.

There is also an alternative procedure to obtain an equivalent torque without using special tools: joint both ends of the hoses to be connected, tighten a swivel nut by hand (without using spanner) until there is resistance on the nut. Fit two spanners (1) on the fixed ends of the hoses and turn the swivel nut with a third spanner (2) as many flats from wrench resistance (FFWR) as indicated in **Table 1**.

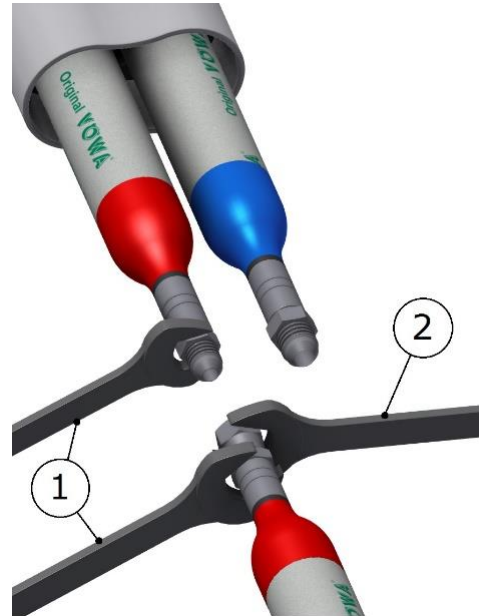
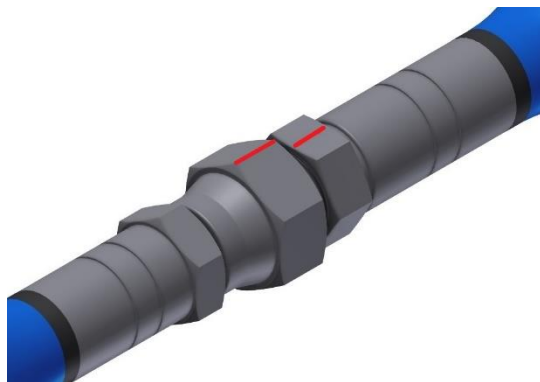


Table 1. Tightening Threaded Joints		
THREAD SIZE	TORQUE Nm	FFWR
1/2"-20	23	2 (or 120°)
9/16"-18	30	1-1/2 (or 90°)

NOTE: 1 FFWR corresponds to one complete shear of a flat marked with red between swivel and fitting or else 60°.



ASSEMBLY ADDITIONAL COMPONENTS

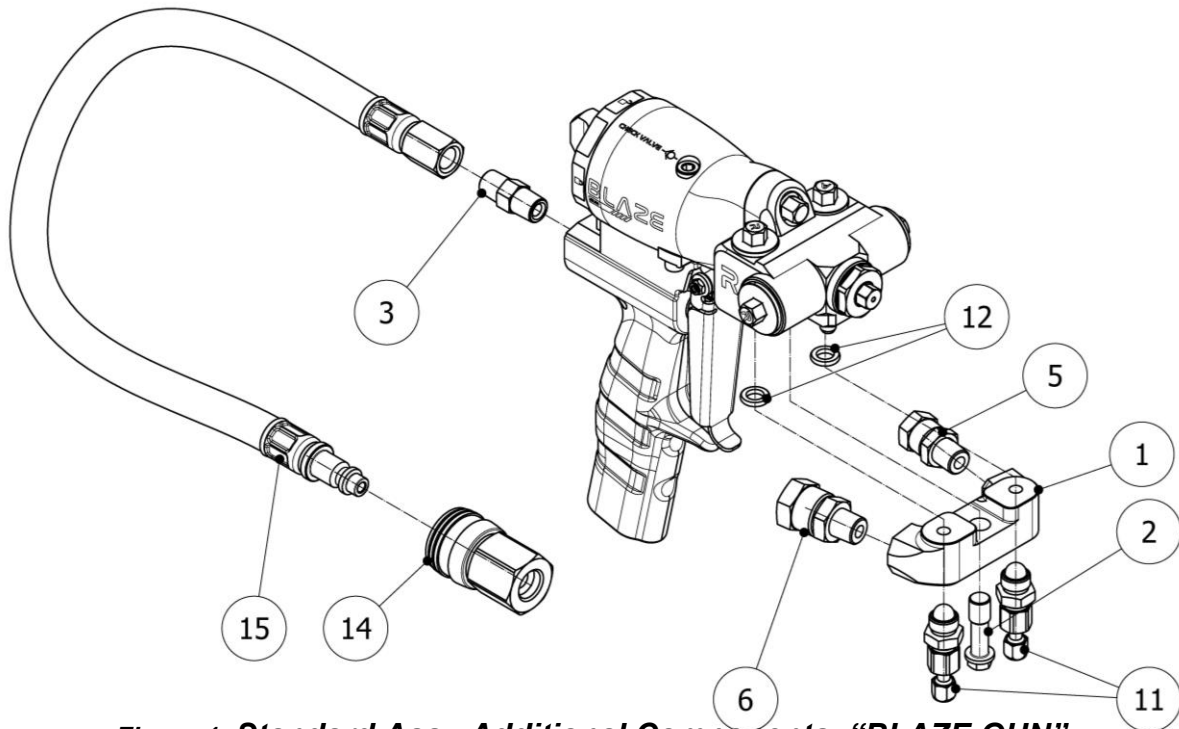


Figure 1. Standard Assy Additional Components, "BLAZE GUN"

Table 2. Standard Assy Additional Components of "BLAZE GUN", Parts List

Item.	Description	Part Number	Qty.
1	Coupling Block	GU-10004	1
2	Coupling Block Screw	GU-04036	1
3	Male Union	RA-00112	1
5	"A" Swivel Union	RA-00005	1
6	"R" Swivel Union	RA-00006	1
11	Manual Valve	GU-02020-00G	2
12	O-Ring	OR-00157PM (#)	2
14	Quick Connector	RA-00109	1
15	Air Hose	MA-00027	1

(#) see pg.24, Repair Seals KIT

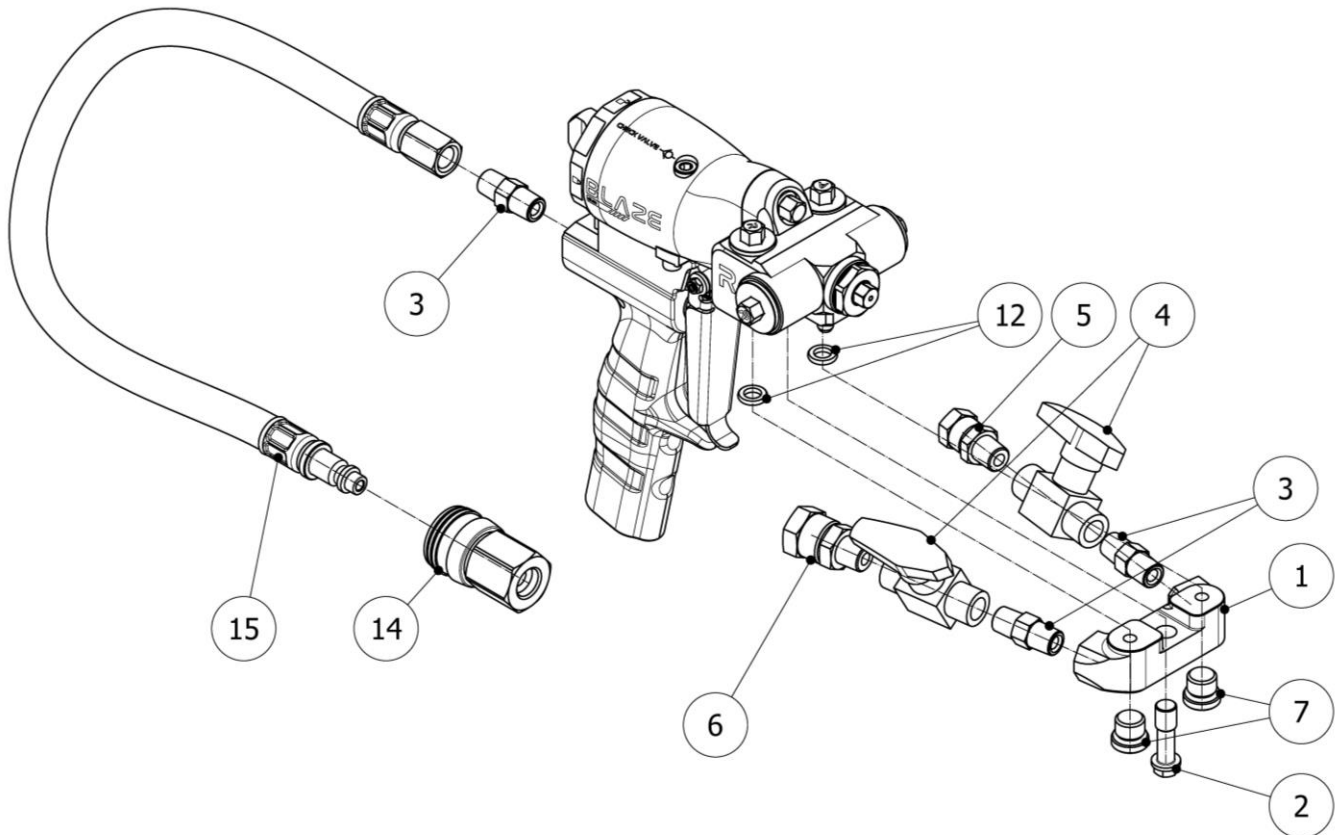


Figure 2. Horizontal Assy Additional Components, “BLAZE GUN”

Table 3. Horizontal Assy Additional Components of “BLAZE GUN”, Parts List

Item.	Description	Part Number	Qty.
1	Coupling Block	GU-10004	1
2	Coupling Block Screw	GU-04036	1
3	Male Union	RA-00112	3
4	Ball Valve	RA-00070H	2
5	“A” Swivel Union	RA-00005	1
6	“R” Swivel Union	RA-00006	1
7	Plug	RA-00242	2
12	O-Ring	OR-00157PM (#)	2
14	Quick Connector	RA-00109	1
15	Air Hose	MA-00027	1

(#) see pg.24, Repair Seals KIT

Parts Identification Manual

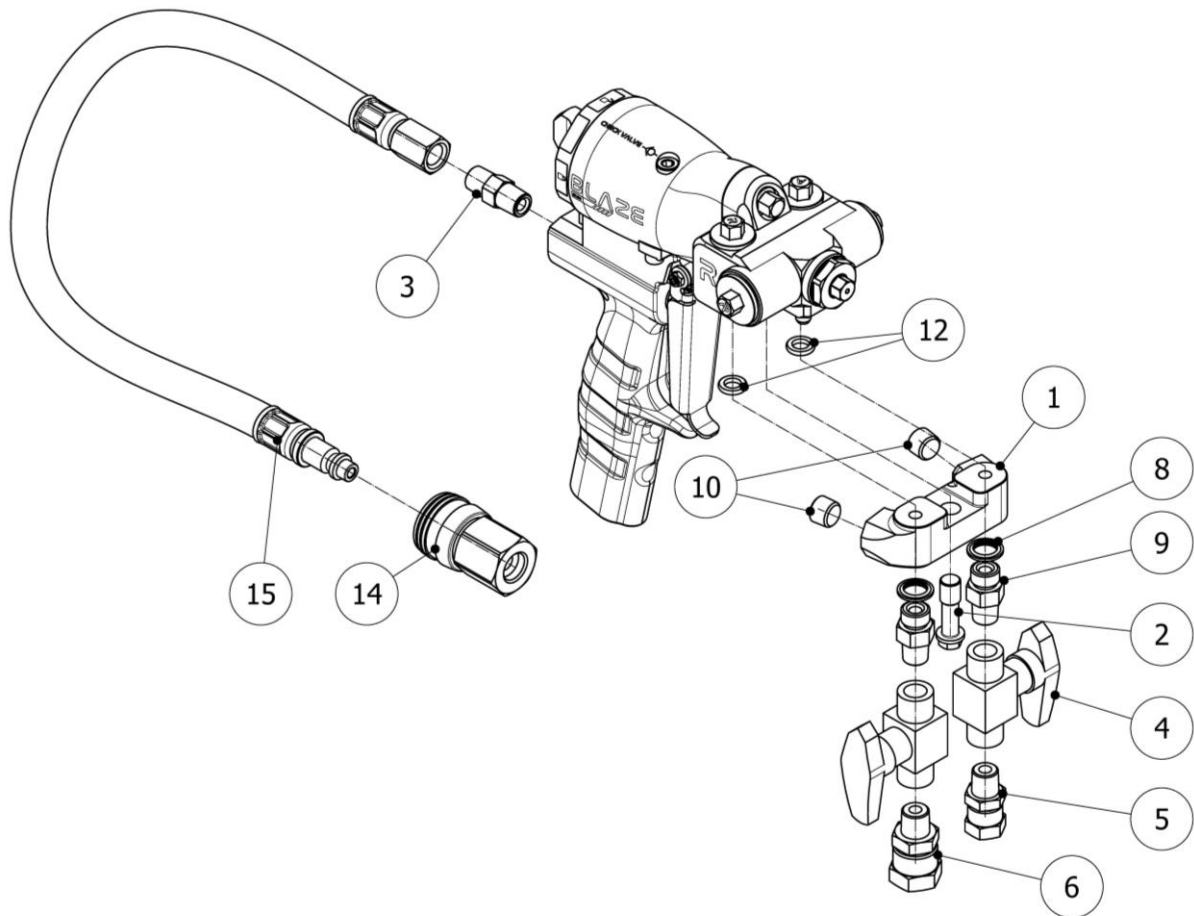


Figure 3. Vertical Assy Additional Components, "BLAZE GUN"

Table 4. Vertical Assy Additional Components of "BLAZE GUN", Parts List

Item.	Description	Part Number	Qty.
1	Coupling Block	GU-10004	1
2	Coupling Block Screw	GU-04036	1
3	Male Union	RA-00112	1
4	Ball Valve	RA-00070H	2
5	"A" Swivel Union	RA-00005	1
6	"R" Swivel Union	RA-00006	1
8	Metal O-Ring	OR-00068	2
9	Male Union	RA-00118-B	2
10	Plug	RA-00004	2
12	O-Ring	OR-00157PM (#)	2
14	Quick Connector	RA-00109	1
15	Air Hose	MA-00027	1

(#) see pg.24, Repair Seals KIT

Parts Identification Manual

Table 5. Handle and Air Cylinder Assy “BLAZE GUN”, Parts List

Item.	Description	Part Number	Qty.
1	Handle (Include from item 1.1 to 1.11)	GU-10001-00	1
1.1	Machined Handle WITHOUT PLUGS	GU-10001A	1
	Machined Handle WITH PLUGS	GU-10001-01	
1.2	Valve shaft	GU-10028A	1
1.3	Valve nut	GU-07214	1
1.4	Trigger	GU-10022D	1
1.5	Trigger Pin	TN-00459	1
1.6	Trigger stopper screw	GU-07221	1
1.7	Nut	TN-00460	1
1.8	O-Ring	OR-00079 (#)	2
1.9	Valve spring	SP-00050	1
1.10	Plug (included in item 1.1 with plugs)	TN-00246	9
1.11	Male Union	RA-00112	1
2	Cylinder Body (Include from item 2.1 to 2.3) (*)	GU-10002	1
2.1	Plug	TN-00246	2
2.2	Helicoil (not shown)	TN-00519	2
2.3	Helicoil (not shown)	TN-00524	1
3	Plunger	GU-10005	1
4			
5	Piston Rod	GU-10006	1
6	Threaded Cylinder Cap	GU-10008	1
7	Plunger Lock	GU-10010	1
8	Lock Actuator	GU-10009	1
9	Lock Spring	SP-00048	1
10	Lip Seal	OR-00027 (#)	1
11	O-Ring	OR-00189 (#)	1
12	Headless Threaded Bolt	TN-00246	2

(*) with Helicoils, Centering Bushing, plugs and laser markings.

Item.	Description	Part Number	Qty.
13	O-Ring	OR-00057 (#)	3
14	O-Ring	OR-00024 (#)	1
15	O-Ring	OR-00029 (#)	1
16	Spiral Pin	TN-00512	1
17	Cylinder Clamp	GU-10025	1
18	Allen Screw	TN-00002	1
19	Valve Ball Stopper	GU-10037	1
20	Check Valve Spring	SP-00021	1
21	Check Valve Ball	TN-00228	1
22	O-Ring	OR-00036PM (#)	1
23	O-Ring	OR-00002 (#)	2
24	Allen Screw	TN-00049	2
25	O-Ring	OR-00015 (#)	1

(#) see pg.24, Repair Seals KIT

MICRO MAGNETIC ASSEMBLY (OPTIONAL)

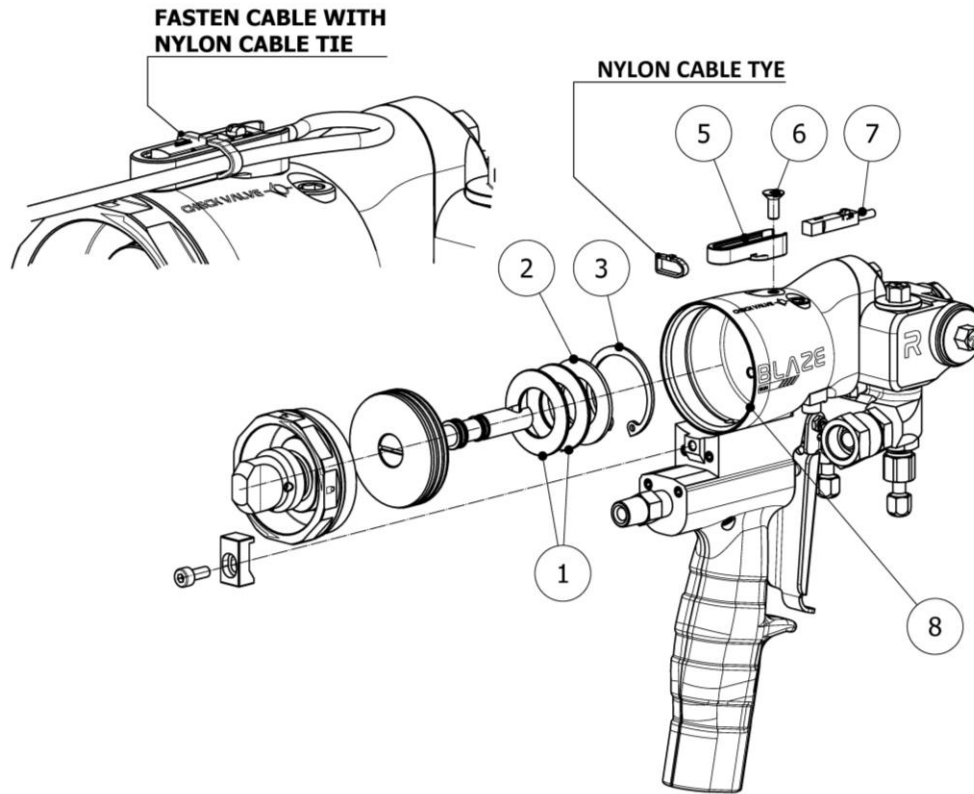


Figure 5. Micro Magnetic Assembly (OPTIONAL)

Table 6. Micro Magnetic Assembly, Parts List (OPTIONAL)

Item.	Description	Part Number	Qty.
1	Neodymium magnet	GU-02034-02	2
2	Magnet Cover	GU-10030	1
3	Seeger Ring	TN-00009	1
4			
5	Magnet Support	GU-10031	1
6	Screw	TN-00121	1
7	Magnetic detector - cable 2.5 m + 1 connector	EL-00136-04	1
8	Magnet Cylinder (*)	GU-10002-MIC	1

(*) with Helicoils, plugs and laser markings.

TIMER ASSEMBLY (OPTIONAL)

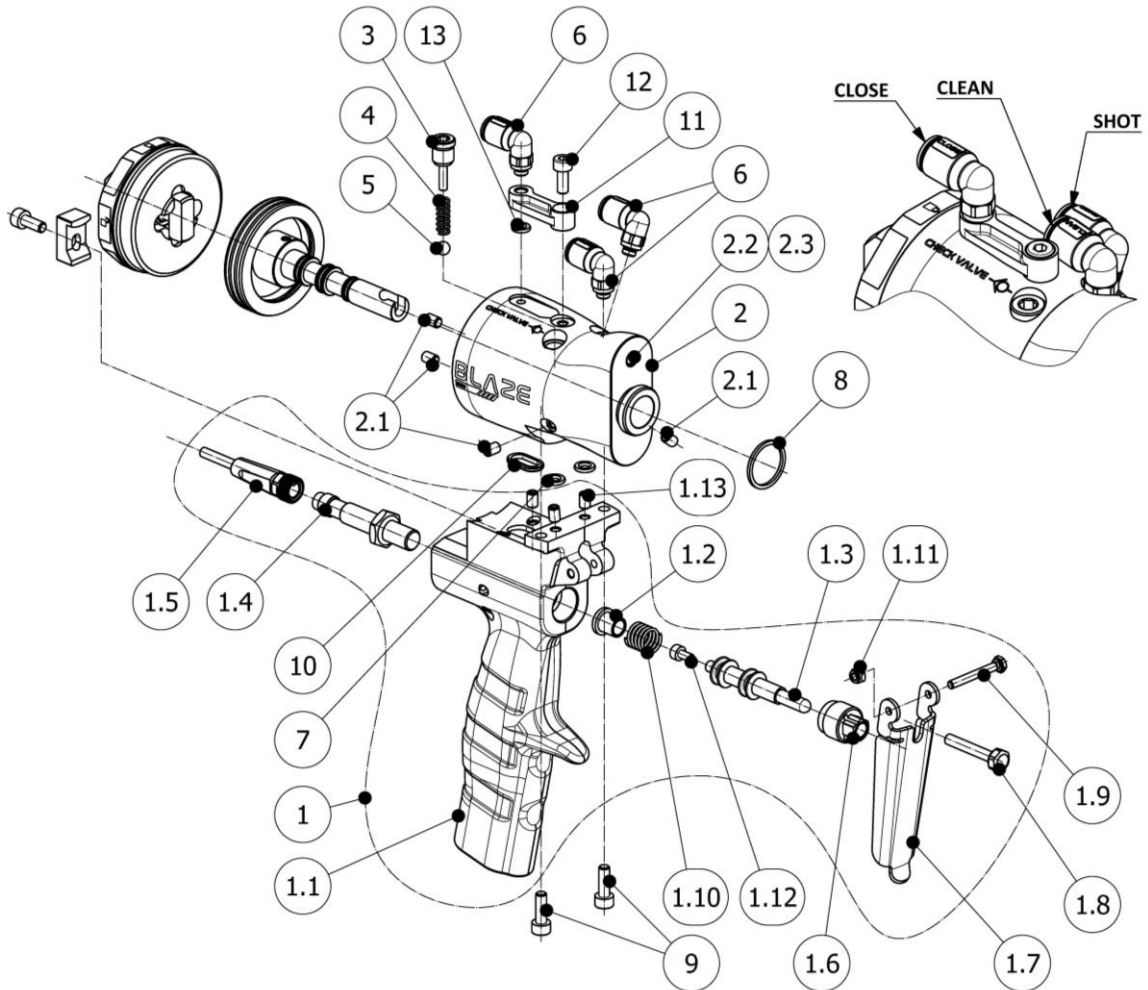


Figure 6. Timer Assembly (OPTIONAL)

Parts Identification Manual

Table 7. Timer Assembly, Parts List (OPTIONAL)

item.	Description	Part Number	Qty.
1	Handle Assy for Timer (includes from item 1.1 to 1.13)	GU-10001-00T	1
1.1	Handle Machined for Timer WITHOUT PLUGS	GU-10001-T	1
	Handle Machined for Timer WITH PLUGS	GU-10001-T1	
1.2	Spring Seat Timer	GU-10032	1
1.3	Timer Valve Shaft	GU-10033	1
1.4	Proximity Switch (Include nut TN-00270)	EL-00136-02	1
1.5	Wire with M8 Connectors	EL-00137-02	1
1.6	Valve Nut	GU-07214	1
1.7	Trigger	GU-10022D	1
1.8	Trigger Stopper Screw	GU-07221	1
1.9	Trigger Pin	TN-00459	1
1.10	Timer Shaft Spring	SP-00023	1
1.11	Lock Nut	TN-00460	1
1.12	Allen Screw	TN-00020	1
1.13	Plug (included in item 1.1 with plugs)	TN-00246	3
2	Cylinder For TIMER & AUTO(*)	GU-10002-T1	1
2.1	Plug (Included in item 2)	TN-00246	4
2.2	Helicoil (not shown)	TN-00519	2
2.3	Helicoil (not shown)	TN-00524	1
3	Valve Ball Stopper	GU-10037	1
4	Check Valve Spring	SP-00021	1
5	Check Valve Ball	TN-00228	1
6	90° Elbow	RA-00088	3
7	O-Ring	OR-00002 (#)	2
8	O-Ring	OR-00036PM (#)	1
9	Allen Screw	TN-00049	2
10	O-Ring	OR-00015 (#)	1
11	Air Inlet Block	GU-10041	1
12	Allen Screw	TN-00002	1
13	O-Ring	OR-00001	1

(*) with Helicoils, plugs and laser markings. (#) see pg.24, Repair Seals KIT

ASSEMBLY FOR AUTO VERSION (OPTIONAL)

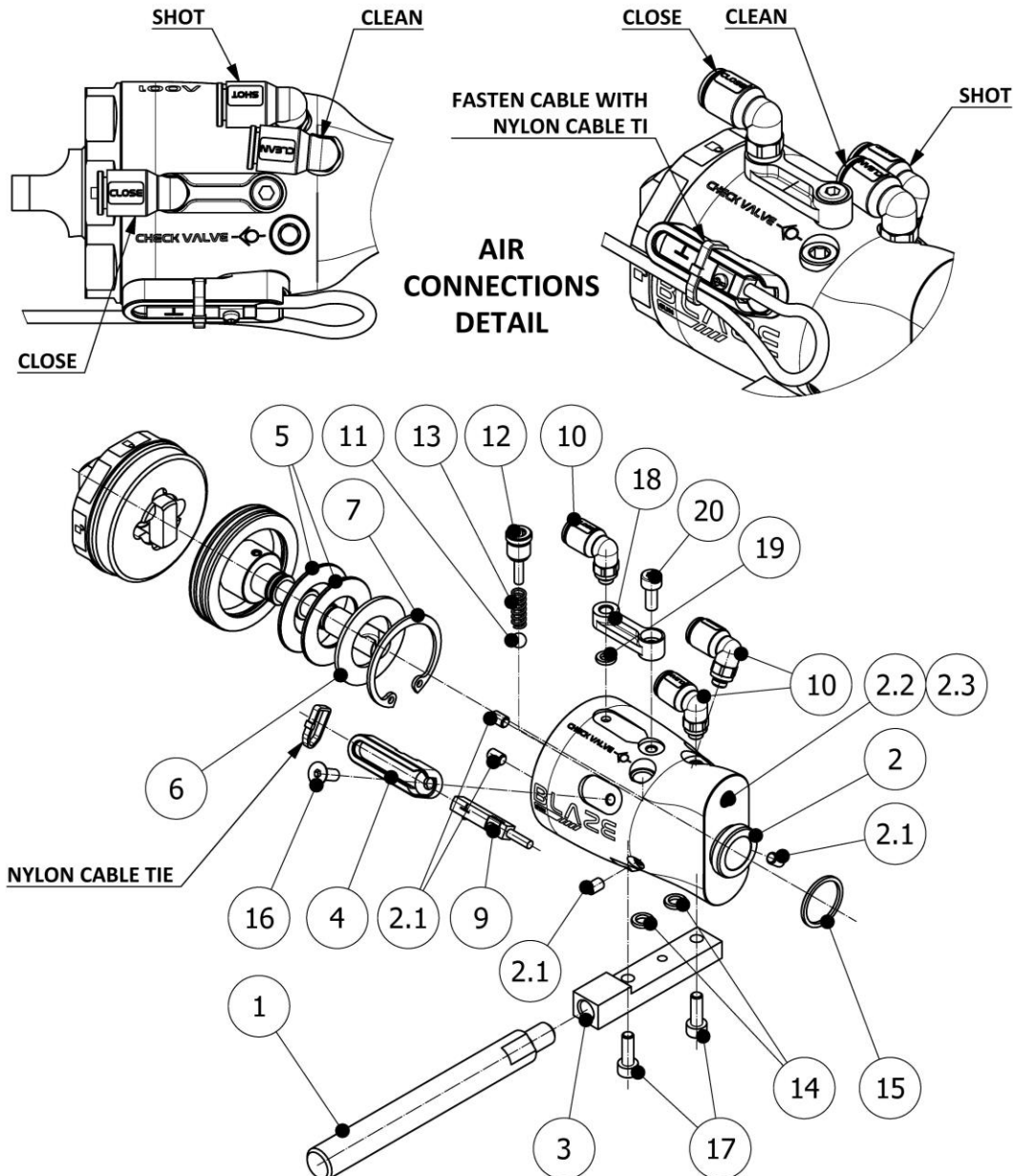


Figure 7. Assembly for Auto Version (OPTIONAL)

Parts Identification Manual

Table 8. Assembly for Auto Version, Parts List (OPTIONAL)

item.	Description	Part Number	Qty.
1	Coupling Rod	GU-02056	1
2	Cylinder For TIMER & AUTO (*)	GU-10002-A1	1
2.1	Plug (Included in item 2)	TN-00246	4
2.2	Helicoil (not shown)	TN-00519	2
2.3	Helicoil (not shown)	TN-00524	1
3	Auto Gun Bracket	GU-02055	1
4	Magnet Support	GU-10031	1
5	Neodymium magnet	GU-02034-02	2
6	Magnet Cover	GU-10030	1
7	Seeger Ring	TN-00009	1
8			
9	Magnetic detector - cable 2.5 m + 1 connector	EL-00136-04	1
10	90° Elbow	RA-00088	3
11	Check Valve Ball	TN-00228	1
12	Valve Ball Stopper	GU-10037	1
13	Check Valve Spring	SP-00021	1
14	O-Ring	OR-00002 (#)	2
15	O-Ring	OR-00036PM (#)	1
16	Screw	TN-00121	1
17	Allen Screw	TN-00049	2
18	Air Inlet Block	GU-10041	1
19	O-Ring	OR-00001	1
20	Allen Screw	TN-00002	1

(*) with Helicoils, plugs and laser markings.

(#) see pg.24, Repair Seals KIT

SPRAY HEAD ASSEMBLY

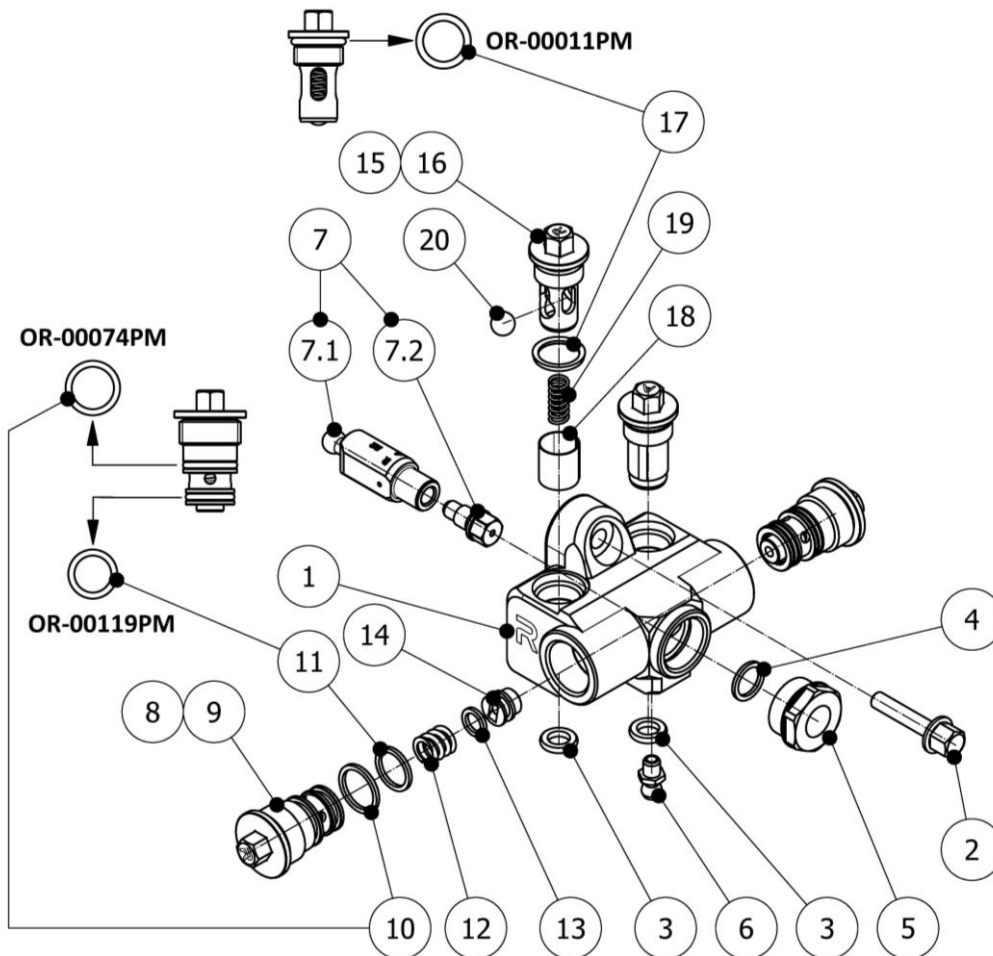


Figure 8. Spray Head Assembly



Pay attention to the mounting of the seals on the cartridges. The larger o-ring is mounted on the side closest to the head of the cartridge and the smaller o-ring is mounted on the side closest to the tip of the cartridge.

Parts Identification Manual

Table 9. Mixing Head Assembly, Parts List

Item.	Description	Part Number	Qty.
1	Mixing Head (include laser marks)	GU-10003A	1
2	Hex. Cap Flange Screw	GU-10036	1
3	O-Ring	OR-00157PM (#)	2
4	O-Ring	OR-00003PM (#)	1
5	Static Diffuser	GU-10011	1
6	Grase Point	TN-00483	1
7	Round Mixing Chamber (Include from item 7.1 to 7.3)	See Table 10	1
7.1	Mixing Chamber Body	See Table 10	1
7.2	End Cap "Round" Mixing Chamber	See Table 10	1
7.3	Clean Drills (not shown)	See Table 10	
8	ISO Body Friction Bushing Holder	GU-10012	1
9	POL Body Friction Bushing Holder	GU-10013	1
10	O-Ring	OR-00074PM (#)	2
11	O-Ring	OR-00119PM (#)	2
12	Friction Bushing Spring	SP-00005	2
13	O-Ring	OR-00024PM (#)	2
14	Friction Bushing	GU-02049-02	2
15	ISO Cartridge Body	GU-10017	1
16	POL Cartridge Body	GU-10018	1
17	O-Ring	OR-00011PM (#)	2
18	40 Mesh Filter (standard) 60 Mesh Filter (optional) 80 Mesh Filter (optional)	GU-02063-40 GU-02063-60 GU-02063-80	2
19	Check Valve Spring	SP-00040	2
20	Check Valve Ball	TN-00521	2

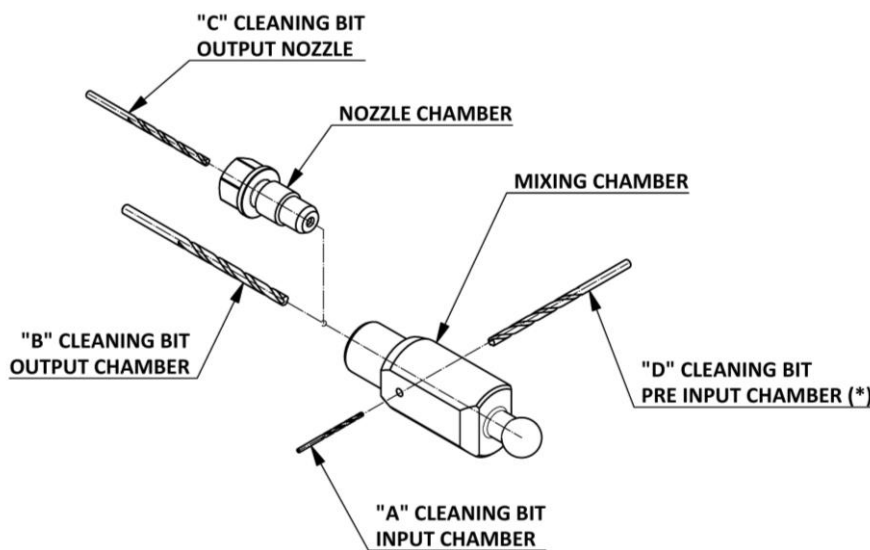
Unless otherwise specified, the filter cartridges are supplied with the standard size 40 Mesh. For other sizes, please ask for the corresponding reference (see table).

(#) see pg.24, Repair Seals KIT

Table 10. Component List according to production, Round Chambers

Produc. Kg/min.	Mixing Chamber Assy	Mixing Chamber Body	ØA BIT	ØB BIT	ØD BIT	Mixing Chamber Nozzle	ØC BIT
2,2 - 9	GU-10021-0	GU-10020-0	0.90	1.75	-	GU-10019-0	1.30
2,4 - 11,2	GU-10021-1	GU-10020-1	1.05	2.00	-	GU-10019-1	1.50
3,5 - 17	GU-10021-2	GU-10020-2	1.30	2.20	-	GU-10019-2	1.75
5,4 - 20	GU-10021-3	GU-10020-3	1.50	2.60	-	GU-10019-3	2.15
6,1 - 25	GU-10021-4	GU-10020-4	1.75	2.85	-	GU-10019-4	2.30

(*) Each mixing chamber set includes the chamber body with its cleaning bits and a nozzle with the corresponding cleaning bit.



For intermediate results, the chamber bodies can be combined with different nozzles.

(*) Only for smaller than '0' size cameras with double diameter inlet.

SIZE	Mixing Chamber Assy	Clean Bit A	Clean Bit B	Clean Bit D	Clean Bit C
0	GU-10021-0	HT-00063	HT-00029	-	HT-00062
1	GU-10021-1	HT-00065	HT-00026	-	HT-00066
2	GU-10021-2	HT-00062	HT-00123	-	HT-00029
3	GU-10021-3	HT-00066	HT-00151	-	HT-00075
4	GU-10021-4	HT-00029	HT-00152	-	HT-00092

ASSEMBLY FOR POUR ADAPTER (OPTIONAL)

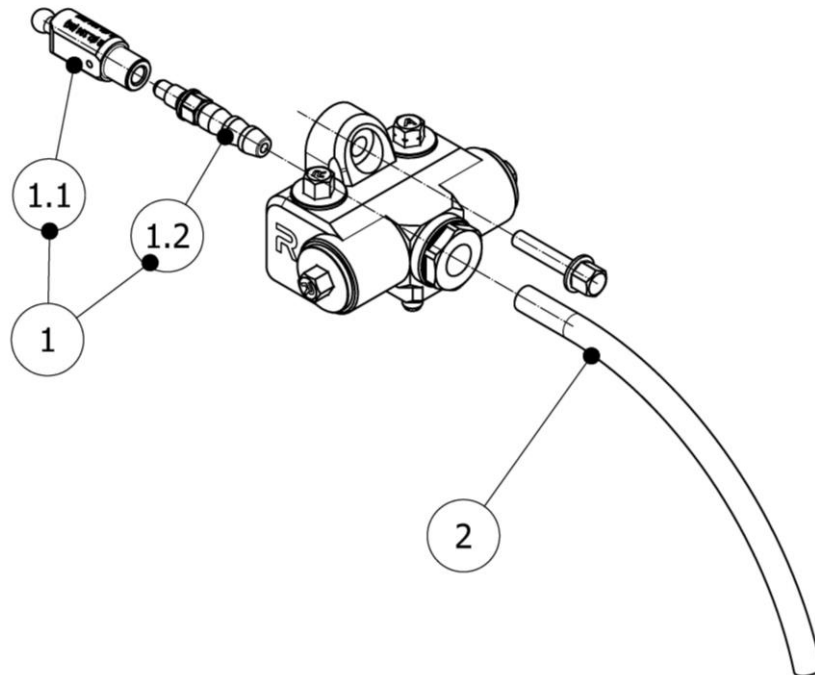


Figure 9. (OPTIONAL) Pour Adapter

Table 11. Pour Adapter Version, Parts List

Item.	Description	Part Number	Qty.
1	Pour Mixing Chamber Assy (*)	GU-10021-CL	1
1.1	Mixing Chamber Body T4	GU-10020-4	1
1.2	End Cap Mixing Chamber for Pour	GU-10019-CL	1
1.3	Output Nozzle Bit (not shown)	HT-00100	1
1.4	Input Chamber Bit (not shown)	HT-00029	1
1.5	Output Chamber Bit (not shown)	HT-00152	1
2	Tube Ø 1/4 interior	NE-00043-SIZE	1

Notes:

The nomenclature 'SIZE' in item 2 defines the length of the hose required.

(*) Includes from items 1.1 to 1.5

RECIRCULATION KIT (OPTIONAL)

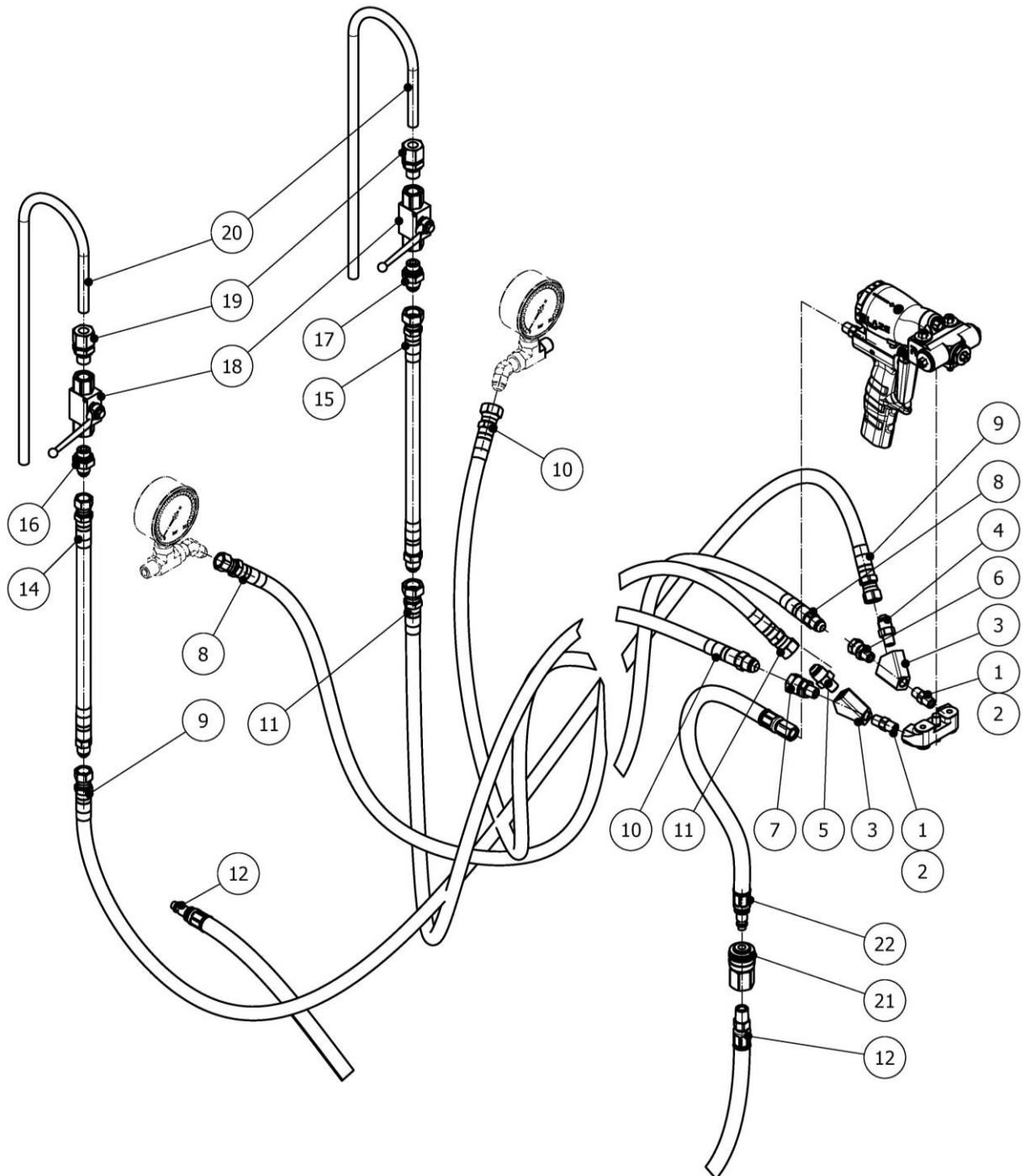


Figure 10. Recirculation Kit (OPTIONAL)
KT-00059-9

Parts Identification Manual

**Table 12: Recirculation Kit (OPTIONAL), Parts List
KT-00059-9**

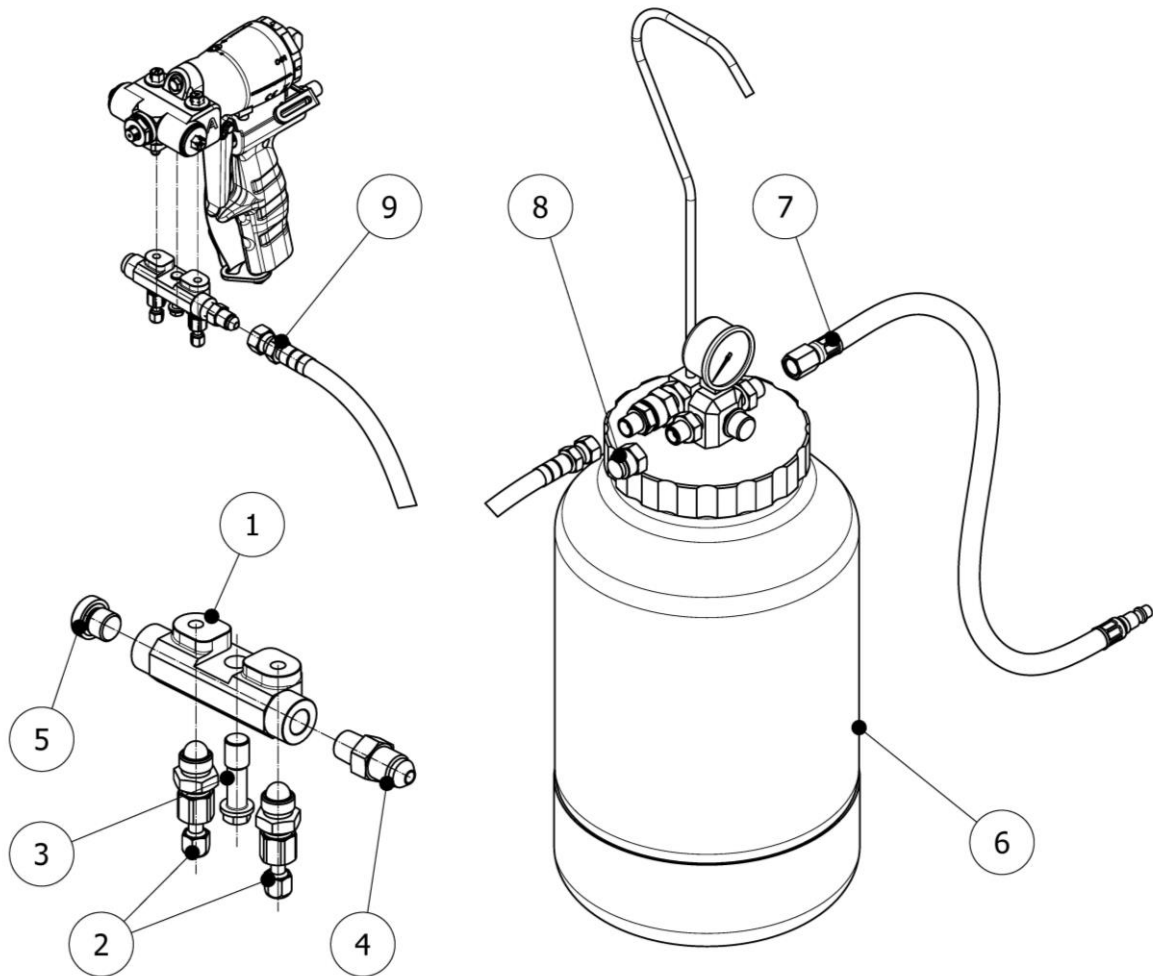
Item.	Description	Part Number	Qty.
1	Straight Connector	RA-00112	2
2	90° Elbow	RA-00205	2
3	Distributor	RA-00464	2
4	Male Adapter	RA-00238	1
5	Male Adapter	RA-00237	1
6	Swivel Nut (*)	RA-00005	1
7	Swivel Nut (*)	RA-00006	1
8	Flexo 10000 mm ISO (Pressure Inlet)	MA-00060-3	1
9	Flexo 10000 mm ISO (Pressure Return)	MA-00060-2	1
10	Flexo 10000 mm POL (Pressure Inlet)	MA-00059-3	1
11	Flexo 10000 mm POL (Pressure Return)	MA-00059-2	1
12	Air Hose	MA-00194	1
14	Flexo 1000 mm Hose Extension ISO (Pressure Return)	MA-00177	1
15	Flexo 1000 mm Hose Extension POL (Pressure Return)	MA-00178	1
16	Male Adapter	RA-00144	1
17	Male Adapter	RA-00145	1
18	Ball Valve	RA-00217	2
19	Tube Connector	RA-00218	2
20	Curved Tube	MQ-06016	2
	Hose Cover 10000 mm	MA-00123	
	Insulating Jacket 10000 mm	MA-00099	
	Insulating Jacket 8000 mm	MA-00099-1	
21	Quick Connector	RA-00109	1
22	Air Hose	MA-00027	1

(*) *Parts included in standard gun assembly*

IMPORTANT NOTE:

Check prices and delivery times with the Marketing Department for all OPTIONAL assemblies.

CLEANING KIT (OPTIONAL)



**Figure 11. Cleaning Kit (OPTIONAL)
KT-00072**

Note: With this kit it is possible to clean the ISO duct and the POL duct separately or both ducts at the same time.

Parts Identification Manual

**Table 13: Cleaning Kit (OPTIONAL), Parts List
KT-00072**

item.	Description	Part Number	Qty.
1	Gun Adapter	GU-10035	1
2	Manual Valve Assembly	GU-02020-00G	2
3	Intake Block Screw	GU-04036	1
4	Male Adapter	RA-00108	1
5	Plug	RA-00211	1
6	Pressurized Tank 2 Lts. (Standard)	BI-00007-2	1
	Pressurized Tank 10 Lts. (Optional)	BI-00007-10	1
7	Air Hose 0.5 mts	MA-00097	1
8	Plug	RA-00328	1
9	Cleaning Hose 10 mts.	MA-00063	1

Notes:

Delivery time for this assembly, consult with the Marketing department.

REPAIR SEALS KIT #KT-00223 (ALL) & #KT-00219 (PM)

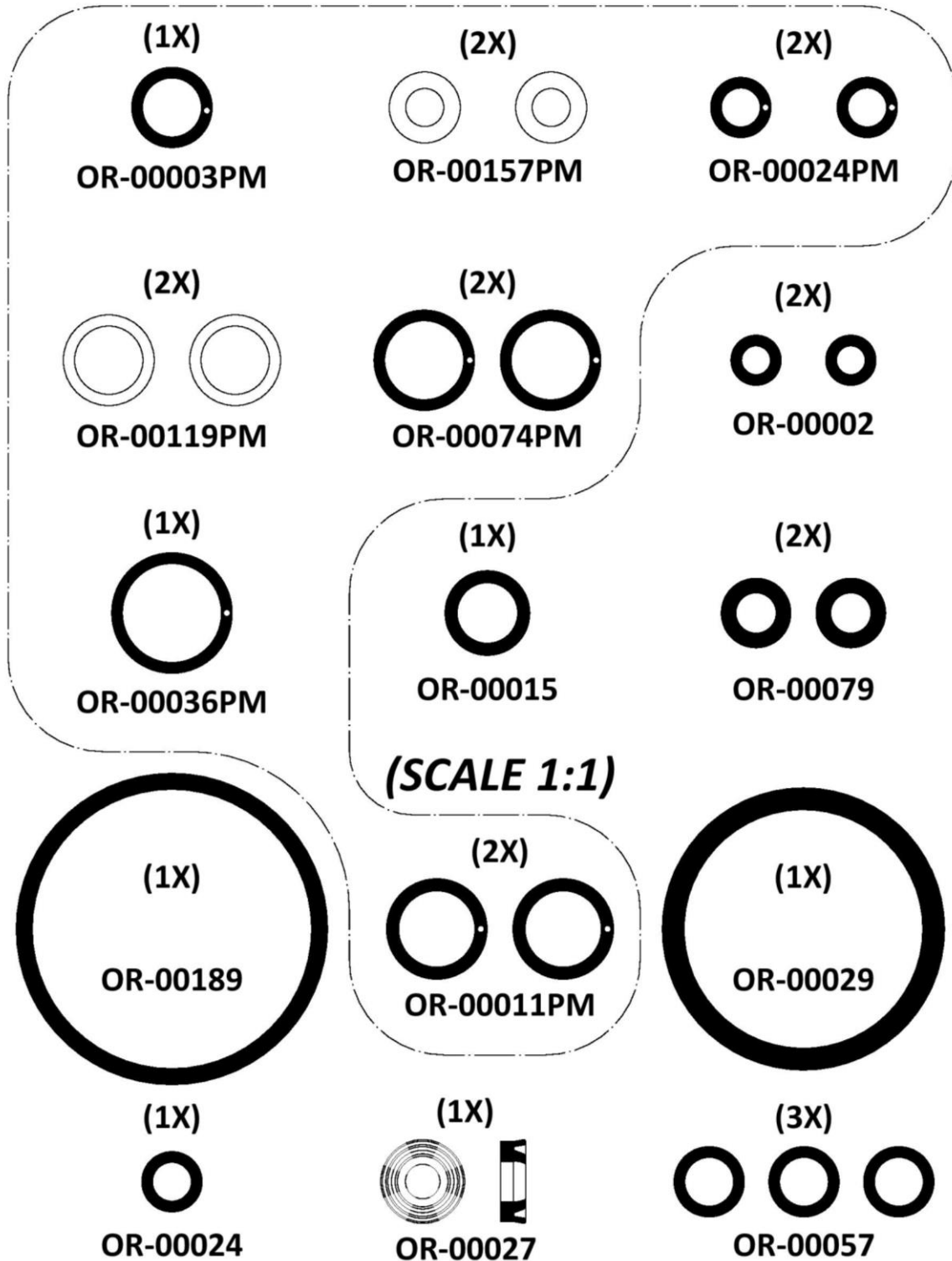


Figure 12. Repair Seals Kit #KT-00223 (all) & #KT-00219 (only PM)

CONTENT

Warranty	2
Safety and Handling	3
METHOD OF THREADED Union OF THE HOSES	4
Assembly Additional Components	5
Handle and Air Cylinder Assembly	8
Micro Magnetic Assembly (OPTIONAL)	11
Timer Assembly (OPTIONAL)	12
Assembly for Auto Version (OPTIONAL)	14
Spray Head Assembly	16
Assembly for Pour Adapter (OPTIONAL)	19
Recirculation Kit (OPTIONAL)	20
Cleaning Kit (OPTIONAL)	22
Repair Seals KIT #KT-00223 (all) & #KT-00219 (PM)	24
Content	26
List of Illustrations	26
List of Tables	27

LIST OF ILUSTRATIONS

Figure 1. Standard Assy Additional Components, "BLAZE GUN"	5
Figure 2. Horizontal Assy Additional Components, "BLAZE GUN"	6
Figure 3. Vertical Assy Additional Components, "BLAZE GUN"	7
Figure 4. Handle and Air Cylinder Assembly "BLAZE GUN"	8
Figure 5. Micro Magnetic Assembly (OPTIONAL)	11
Figure 6. Timer Assembly (OPTIONAL)	12
Figure 7. Assembly for Auto Version (OPTIONAL)	14
Figure 8. Spray Head Assembly	16
Figure 9. (OPTIONAL) Pour Adapter	19
Figure 10. Recirculation Kit (OPTIONAL)	20
Figure 11. Cleaning Kit (OPTIONAL)	22
Figure 12. Repair Seals Kit #KT-00223 (all) & #KT-00219 (only PM)	24

Parts Identification Manual

LIST OF TABLES

Table 1. Tightening Threaded Joints	4
Table 2. Standard Assy Additional Components of “BLAZE GUN”, Parts List	5
Table 3. Horizontal Assy Additional Components of “BLAZE GUN”, Parts List	6
Table 4. Vertical Assy Additional Components of “BLAZE GUN”, Parts List	7
Table 5. Handle and Air Cylinder Assy “BLAZE GUN”, Parts List	9
Table 6. Micro Magnetic Assembly, Parts List (OPTIONAL)	11
Table 7. Timer Assembly, Parts List (OPTIONAL)	13
Table 8. Assembly for Auto Version, Parts List (OPTIONAL)	15
Table 9. Mixing Head Assembly, Parts List	17
Table 10. Component List according to production, Round Chambers	18
Table 11. Pour Adapter Version, Parts List	19
Table 12: Recirculation Kit (OPTIONAL), Parts List	21
Table 13: Cleaning Kit (OPTIONAL), Parts List	23
Table 14: Complete Repair Seals KIT	25
Table 15: Repair Seals KIT for Wet Areas	25