

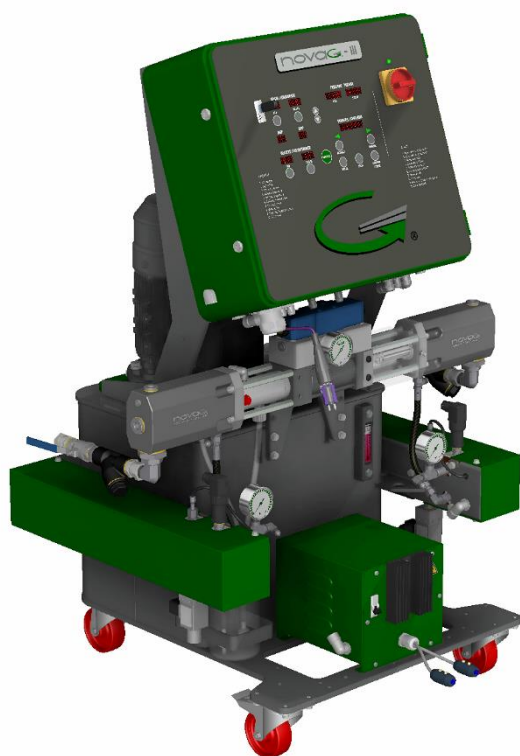


# Parts Manual

## Proportioning Unit

### novaG - III

Issue 3.8 - 03/02/2023  
Ref. NR-00001-ENG



***Before installing the unit and starting it up, carefully read all the technical and safety documentation included in this manual. Pay special attention to the information to know and understand the handling and the conditions of use of the unit. All of the information is aimed at enhancing User Safety and avoiding possible breakdowns derived from the incorrect use of the unit.***



## WARRANTY

HI-TECH SPRAY EQUIPMENT, S. A. (hereinafter "HI-TECH") grants this Limited Guarantee to the original buyer (hereinafter the "Client") for the unit and the original accessories given with the unit (hereinafter the "Product") against any fault in the design, materials or manufacture of the Product at the time of the first purchase by the user and for a duration of two (2) years thereafter.

If during the guarantee period and under normal conditions of use, the Product should fail to work correctly due to defects of design, material or manufacture, the authorised distributor of the country where the HI-TECH Product or technical assistance service has been purchased shall repair or replace the Product in accordance with what is established in the following:

### CONDITIONS

- a) The validity of this guarantee will be subject to the presentation of the original invoice issued by the HI-TECH authorised distributor for the sale of the Product along with the Product handed over for repair or replacement, which must show the date of purchase and the serial number. HI-TECH reserves the right to refuse to give the guarantee service when the indicated data fail to appear on the invoice or have been modified after the purchase of the Product.
- b) The repaired or replaced Product will continue to maintain the original guarantee for the time remaining until the end of the guarantee or for three (3) months from the repair date, if the remaining period of the original guarantee were shorter.
- c) This guarantee will not be applied to the faults in the Product caused by its faulty installation, the natural wear and tear of the components, any use other than that considered normal for this Product or which should fail to strictly comply with the instructions of use provided by HI-TECH; due to accident, carelessness, adjustments, alterations or modifications of the Product not authorised by HI-TECH or due to the use of accessories, heating devices, pumping equipment and/or dispensers that have not been approved or manufactured by HI-TECH.
- d) The guarantee applicable to the components and accessories forming part of the Product and which have not been made by HI-TECH will be limited to the guarantee offered by the original manufacturer thereof.

**HI-TECH WILL NOT RECOGNISE ANY EXPRESS ORAL OR WRITTEN GUARANTEES OTHER THAN THIS PRINTED LIMITED GUARANTEE. ALL IMPLICIT GUARANTEES, INCLUDING, WITHOUT LIMIT, ADAPTATION FOR A SPECIFIC USE, ARE SUBJECT TO THE DURATION OF THIS WRITTEN GUARANTEE. HI-TECH DOES NOT ASSUME ANY KIND OF COMMITMENT OR RESPONSIBILITY FOR ALL POSSIBLE DAMAGE OR EXPENSE CAUSED BY FAULTS IN THE OUTPUT OF THE PRODUCT, ITS WORKING OR THE DISPENSING OF MATERIAL THROUGH THE PRODUCT, INCLUDING, WITHOUT LIMITATION, ALL EXPENSES CAUSED BY DAMAGE TO PEOPLE OR PROPERTY. EQUALLY, HI-TECH WILL IN NO CASE ACCEPT LIABILITY FOR THE LOSS OF SPECULATIVE PROFITS OR COMMERCIAL LOSSES. ALL REPAIRS OR REPLACEMENT OF FAULTY PRODUCTS WILL CONSTITUTE THE COMPREHENSIVE FULFILMENT OF HI-TECH'S OBLIGATIONS WITH RESPECT TO THE CLIENT. HI-TECH DOES NOT IN ANY WAY GUARANTEE THE SUITABILITY OR APTITUDE OF ITS PRODUCT FOR ANY PARTICULAR PURPOSE OR APPLICATION.**

All information provided on components which have not been manufactured by HI-TECH and which is based on reports received from the original manufacturer, though considered precise and reliable, is provided without any guarantee or responsibility of any explicit or implicit kind.

All concession, sale or financial leasing of the Product by HI-TECH in no case explicitly or implicitly constitutes any authorisation, acceptance or concession for the use of any rights or patents, nor does it encourage, nurture or back their infringement.

The restrictions on the guarantee suppose no limitation on the legal rights of the consumer established in applicable national legislation, nor do they affect any rights derived from the bargain and sale agreement between the consumer and supplier.



All information provided in this manual has been included in the confidence that it is true, although it does not constitute any responsibility or implicit or explicit guarantee. HI-TECH reserves the right at any time and without prior warning to make all improvements and modifications necessary to this manual, in order to rectify any possible typographical errors, increase the information contained or insert the changes caused to the characteristics and performance of the unit.

## SAFETY AND HANDLING

The equipment described in this manual has been designed and manufactured in compliance with the following European Directives, following as application guide the harmonized standards detailed and in conformity with the relevant UK Statutory Instruments (and their amendments):



### **Directive 2006/42/EC on machinery (UK Supply of Machinery (Safety) Regulations 2008)**

UNE EN 12100:2012 (BS EN ISO 12100:2010)

### **Directive 2014/30/EU on electromagnetic compatibility (UK Electromagnetic Compatibility Regulations 2016) (\*)**

UNE EN 55011 (BS UNE EN 55011)

UNE EN 55016-2-1 (BS UNE EN 55016-2-1); UNE EN 55016-2-3 (BS UNE EN 55016-2-3); UNE EN 55032 (BS UNE EN 55032)

UNE EN 61000-3-2 (BS UNE EN 61000-3-2); UNE EN 61000-3-3 (BS UNE EN 61000-3-3); UNE EN 61000-4-2 (BS UNE EN 61000-4-2); UNE EN 61000-4-3 (BS UNE EN 61000-4-3); UNE EN 61000-4-4 (BS UNE EN 61000-4-4); UNE EN 61000-4-5 (BS UNE EN 61000-4-5); UNE EN 61000-4-6 (BS UNE EN 61000-4-6); UNE EN 61000-4-8 (BS UNE EN 61000-4-8); UNE EN 61000-4-11 (BS UNE EN 61000-4-11)

*(\*) The Unit may experience a degradation of its immunity in the presence of radiated electromagnetic disturbances (IEC 61000-4-3) in the frequency range between 80MHz and 700MHz under an electric field level of 10 V / m, resulting in a temporary loss of function, self-recoverable, according to performance criterion C of the Standard.*

### **Directive 2014/68/EU on pressure equipment (UK Pressure Equipment (Safety) Regulations 2016)**

UNE EN 809:1999 +A1 (BS EN 809:1998 +A1:2009)

### **Directive 2014/35/EU on electrical safety (UK Electrical Equipment (Safety) Regulations 2016)**

UNE EN 60204-1:2019 (BS EN 60204-1:2018)

### **Directive 2003/10/EC on noise level (UK The Control of Noise at Work Regulations 2005)**

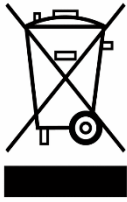
UNE EN ISO 3740 (BS EN ISO 3740:2019)

UNE EN ISO 3746 (BS EN ISO 3746:2010)



Directive 2011/65/EU on the restriction of the use of certain hazardous substances in electrical and electronic equipment with amendment 2015/863/EU (UK The Restriction of the Use of Certain Hazardous Substances in Electrical and Electronic Equipment Regulations 2012)

Directive 2012/19/EU on waste electrical and electronic equipment (UK The Waste Electrical and Electronic Equipment Regulations 2013)



Electrical products cannot be thrown out with the rubbish. They must be taken to a dedicated collection point for an environmentally sound disposal in accordance with local regulations. You must contact your local collective or retailer for information about recycling. Before leaving WEEE at appropriate collection facilities, batteries must be removed and disposed of separately for proper recycling. The packaging materials are recyclable. Dispose of packaging materials in an environmentally sound manner and place them at the disposal of recycling sectors.

#### TRANSPORT AND STORAGE

Proper precautions must be taken so that the equipment can withstand the effects of transport and storage temperatures between  $-25^{\circ}\text{C}$  and  $+55^{\circ}\text{C}$  or up to  $+70^{\circ}\text{C}$  for short periods that do not exceed 24 hours. Also, appropriate means to prevent damage from moisture, vibrations or shocks must be foreseen.



## PROPORTIONING UNIT NOVAG - III MODEL

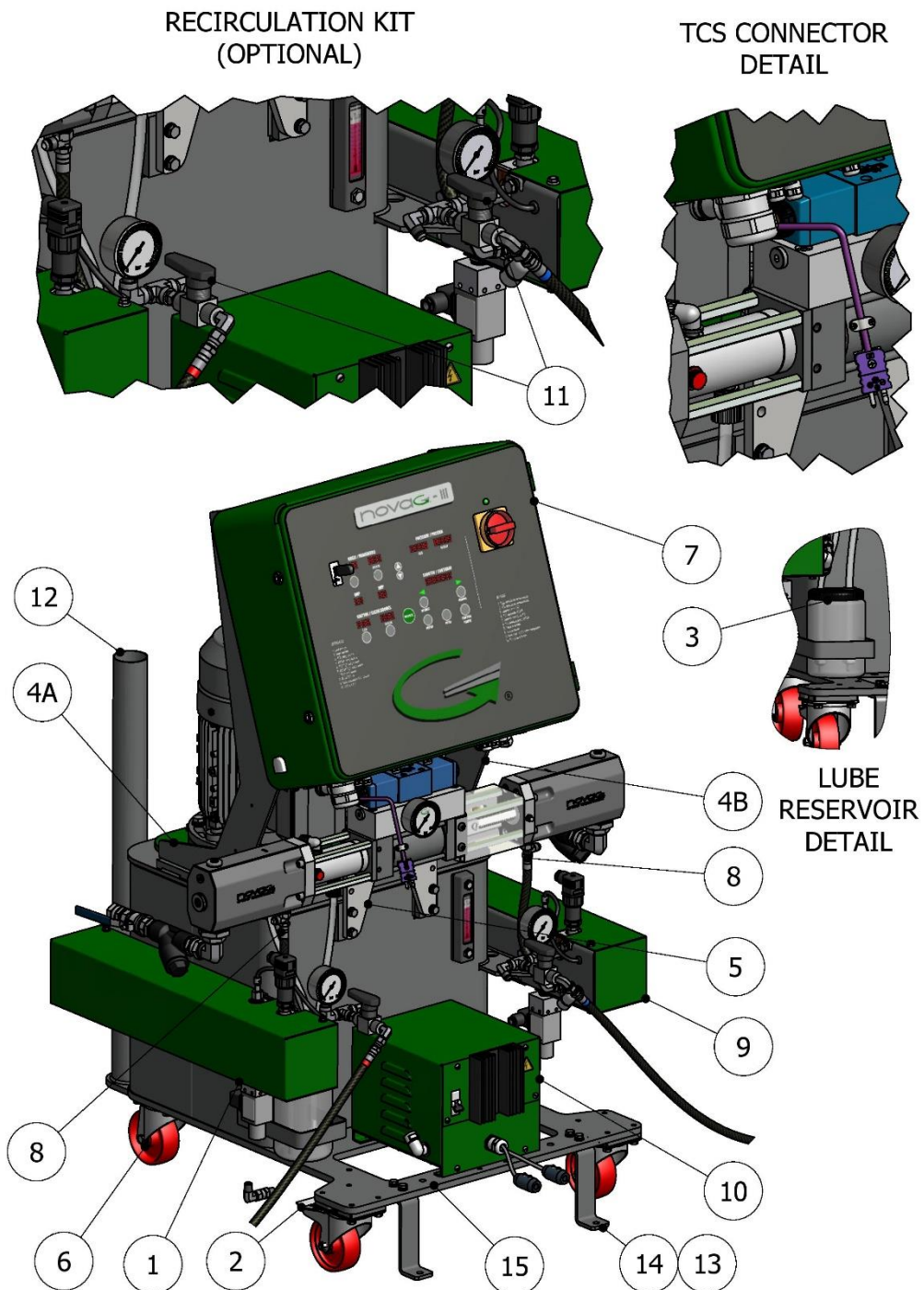


Figure 1. Proportioning Unit novaG – III Model



**Table 1. Proportioning Unit novaG – III Model, Parts List**

Item	Description	Part Number	Qty.
1	A Primary Heater	See Table 3	1
2	Front Wheel with Brake	MQ-01002	2
3	Lube Reservoir	MQ-01009-01	1
4A	Electrical Console LH Support	MQ-03003-00	1
4B	Electrical Console RH Support	MQ-03004-00	1
5	Pump Line Support	MQ-03000-00	1
6	Back Wheel	MQ-01016	2
7	Electrical Console Assy.	See Table 5	1
8	Hose Pump/Heater	MA-00180	2
9	R Primary Heater	See Table 4	1
10	Hose Transformer	See Table 2	1
11	Recirculation KIT (optional)	KT-00038	1
12	Transfer Pump Bracket (optional)	NMQ-01015-00	2
13	“Z” Bracket without Transfer Pump Bracket (optional)	NMQ-01017	2
14	“Z” Bracket with Transfer Pump Bracket (optional)	NMQ-02014	2
15	Plate	MQ-01001-05	1

**Table 2. Hose Transformer Reference List**

Part Number	Description
NEL-00127-20	Hose Transformer 3PE~400V Version
NEL-00127-06	Hose Transformer 3PE~230V Version



**Table 3. A-Primary Heater Reference List**

Part Number		Description
NCL-03001-00H	400V	A Heater 6000 W (standard)
NCL-03001-00HT		A Heater 6000 W with Transducer (optional)
NCL-03001-00I		A Heater 5000 W (standard)
NCL-03001-00IT		A Heater 5000 W with Transducer (optional)
NCL-03001-00BT	230V	A Heater 6000 W (standard)
NCL-03001-00DT		A Heater 6000 W with Transducer (optional)

**Table 4. R-Primary Heater Reference List**

Part Number		Description
NCL-03002-00H	400V	R Heater 6000 W (standard)
NCL-03002-00HT		R Heater 6000 W with Transducer (optional)
NCL-03002-00I		R Heater 5000 W (optional)
NCL-03002-00IT		R Heater 5000 W with Transducer (optional)
NCL-03002-00D	230V	R Heater 6000 W (standard)
NCL-03002-00DT		R Heater 6000 W with Transducer (optional)

**Table 5. Electrical Console Reference List**

Part Number	Description
NEL-00059-11	Electrical Console Assy. (3PE~400V, with III phases Motor & with Logger) Standard Version.
NEL-00059-13	Electrical Console Assy. (3PE~230V, with III phases Motor & with Logger) Standard Version.



## ELECTRICAL CONSOLE

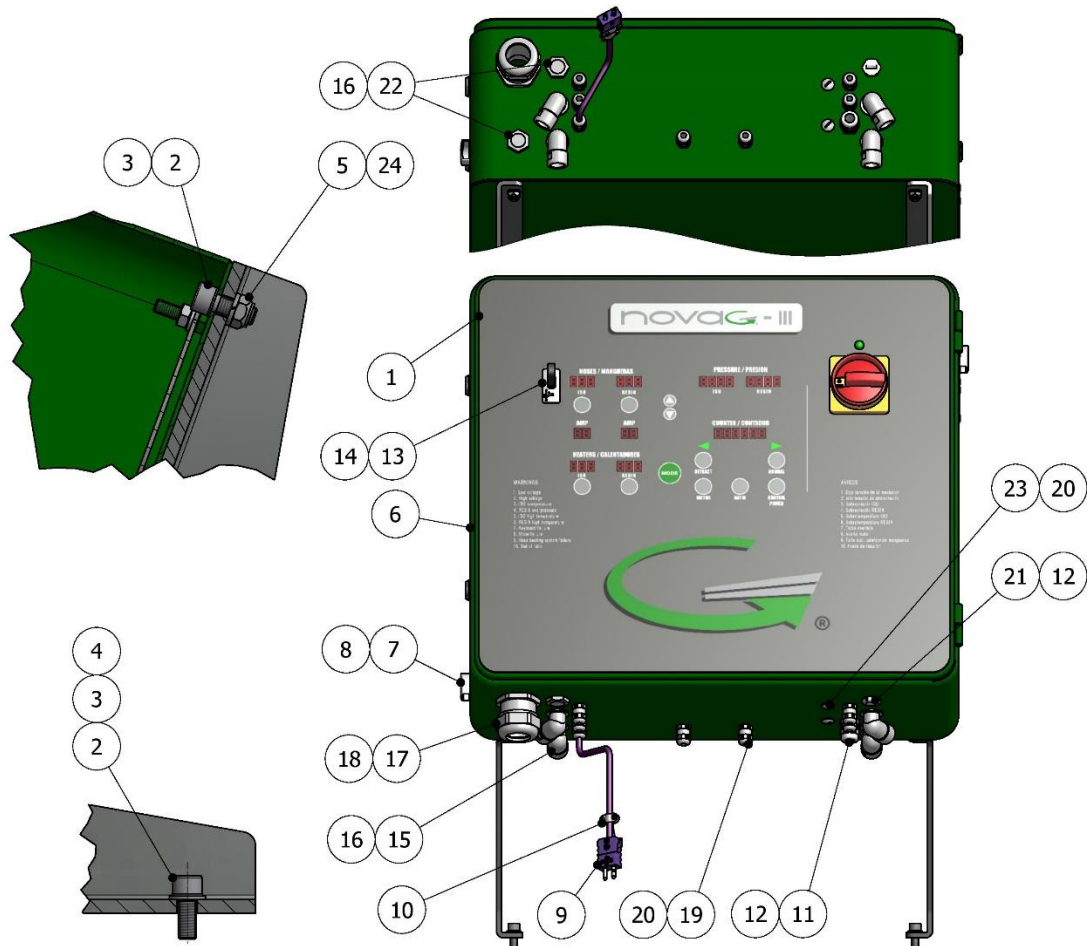


Figure 1. Electrical Console novaG - III





**Table 6. Electrical Console novaG-III Model, Parts List**

Item	Description	Part Number	Qty.
1	Bezel & Electronic Circuit	See Table 7	1
2	Screw	TN-00186	8
3	AET Washer	TN-00038	8
4	Washer	TN-00119	4
5	Block Nut	TN-00283	4
6	Console Assy	EL-00246	1
7	Air Vent	EL-00158-05	2
8	Nut (included in item 7)		
9	Connector Sensor Male	EL-00096-84	1
10	Staple	EL-00096-86	1
11	Connector	EL-00088-05	1
12	Nut	EL-00090-06	2
13	USB Port, Included in Ref. 1	See Table 7	1
14	Massive Storage 2 GB, included in Ref. 1	See Table 7	1
15	Elbow	EL-00087-01	4
16	Nut	EL-00090-01	6
17	Connector	EL-00088-04	1
18	Nut	EL-00090-05	1
19	Connector	EL-00088-00	7
20	Nut	EL-00090-00	9
21	Plug	EL-00088-08	1
22	Plug	EL-00083-00	2
23	Plug	EL-00183	2
24	Lock Washer	TN-00028	4

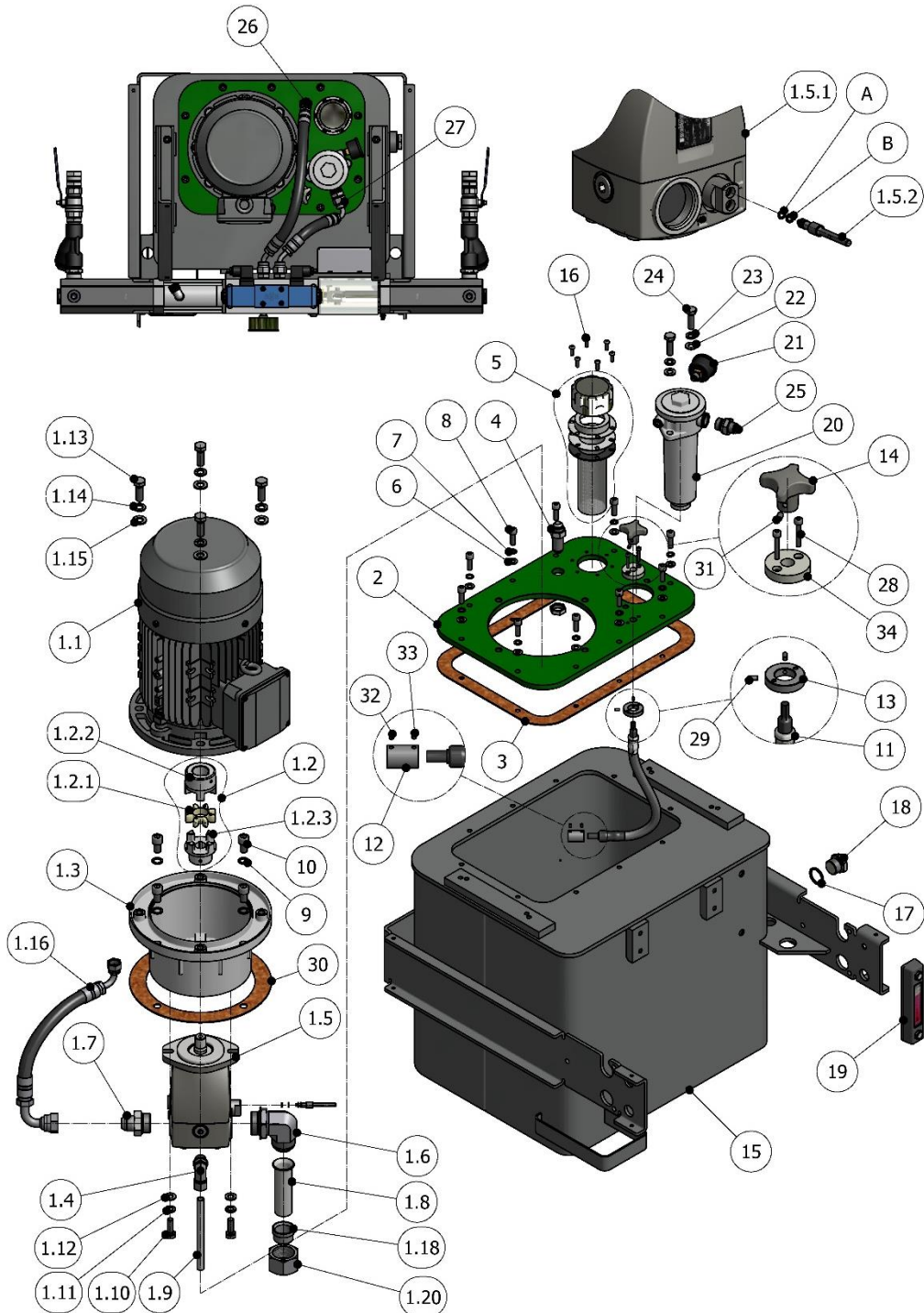


**Table 7. Bezel Components Assembly**

	3PE~400V 50/60 Hz With Logger	3PE~230V 60 Hz With Logger
Bezel 1x	NEL-00236	
Circuit 1x	EL-00019-07	
Switch 1x	EL-00107-18	EL-00107-23
Command Switch 1x	EL-00107-19	
Divider 9x	EL-00019-03	
USB Port 1x	EL-00078-04	
Mass. Storage 1x	EL-00078-05	

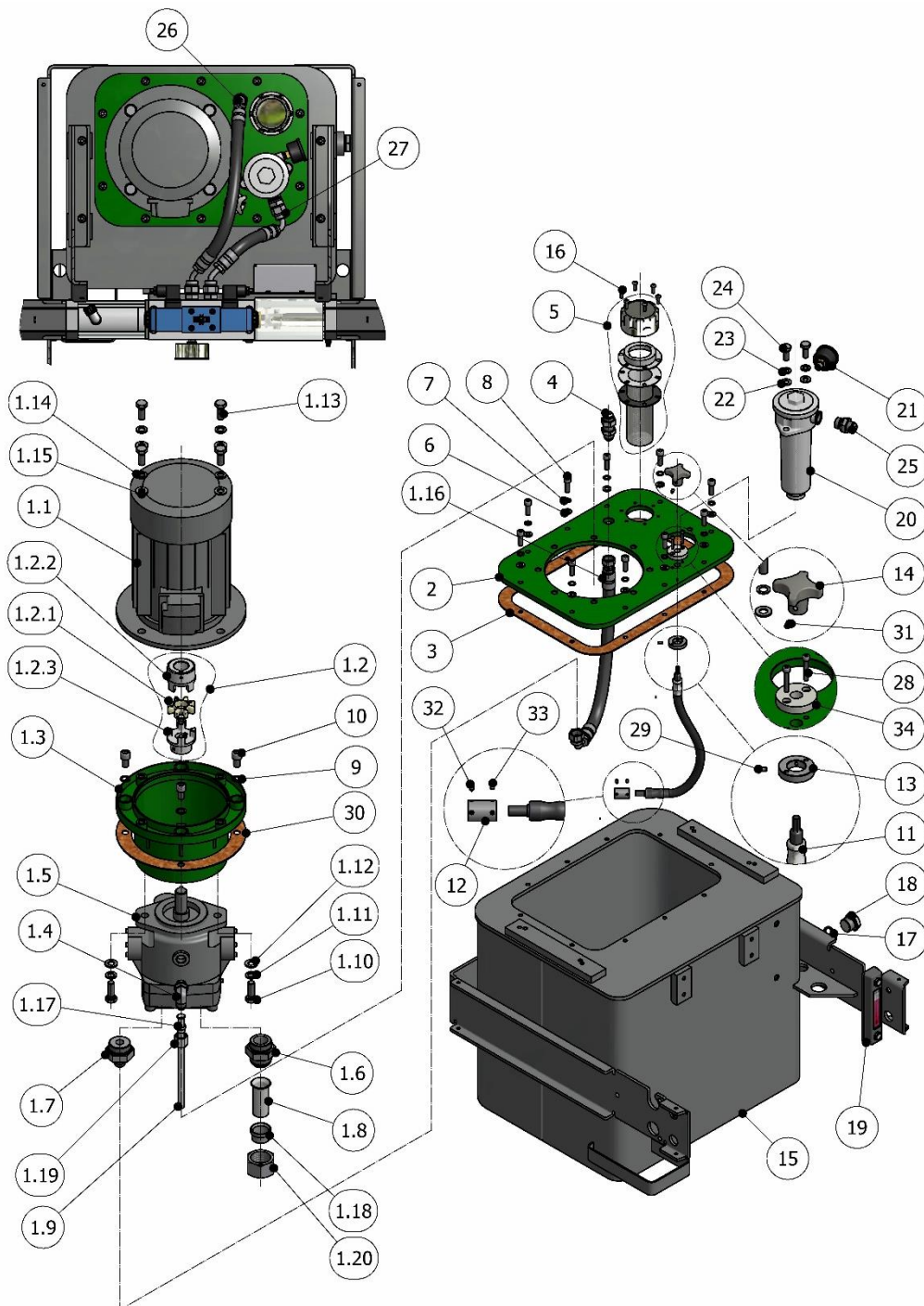


## HYDRAULIC MANIFOLD WITH MOTOR 3PE~400V/230V 50/60Hz (hyd. Pump 18 cc.)



**Figure 2. Hydr. Manifold 3PE~400V/230V 50/60Hz (hyd. Pump 18 cc),  
Exploded View**

## HYDRAULIC MANIFOLD WITH MOTOR 3PE~400V/230V 50/60Hz (hyd. Pump 20 cc.)



**Figure 3. Hydr. Manifold 3PE~400V/230V 50/60Hz (hyd. Pump 20 cc),  
Exploded View**

**Table 8. Hydraulic Manifold with Motor 3PE~400V/230V 50/60Hz, Parts List**

Item.	Description	Part Number	Qty.
1	Motor/Pump Line Assembly	-	1
1.1	Electric Motor 4Kw 50/60Hz	NEL-00138-04	1
1.2	Coupler Assembly (18 cc)	HI-00046-00	1
	Coupler Assembly (20 cc)	HI-00006-00	
1.2.1	Alignment Spider (18 cc) & (20 cc)	HI-00006-01	1
1.2.2	Motor Shaft Coupling (18 cc) & (20 cc)	HI-00006-02	1
1.2.3	Pump Shaft Coupling (18 cc)	HI-00046-01	1
	Pump Shaft Coupling (20 cc)	HI-00006-03	
1.3	Bell Housing for 18 cc Pump	HI-00139-00	1
	Bell Housing for 20 cc Pump	HI-00005	
1.4	Elbow (18 cc)	RA-00494	1
	Elbow (20 cc)	-	
1.5	HYD Pump Assembly 18 cc. (items 1.5.1 & 1.5.2)	HI-00190-NIII	1
	HYD Pump Assembly 20 cc. (items 1.5.1 , 1.5.2 & 1.5.3)	HI-00038-NIII	
1.5.1	HYD Pump 18 cc (included in item 1.5)	HI-00190-00	1
	"A" Anti Extrusion Ring	OR-	1
	"B" O-Ring	OR	1
	HYD Pump 20 cc (included in item 1.5)	HI-00038-00	1
	O-Ring	OR-00025	1
1.5.2	18 cc Regulating rod (included in item 1.5)	HI-00149-03	1
	20 cc Regulating rod (included in item 1.5)	HI-00042	1
1.5.3	Stopper Nut (included in item 1.5), only for 20 cc	HI-00043	1
1.6	Elbow (18 cc)	RA-00027	1
	Ferrule (18 cc)	RA-00029	
	Nut (18 cc)	RA-00028	
	Nipple (20 cc)	-	
1.7	Nipple (18 cc)	RA-00500	1
	Nipple (20 cc)	RA-00069	
1.8	Suction Pipe (18 cc)	HI-00194	1
	Suction Pipe (20 cc)	-	

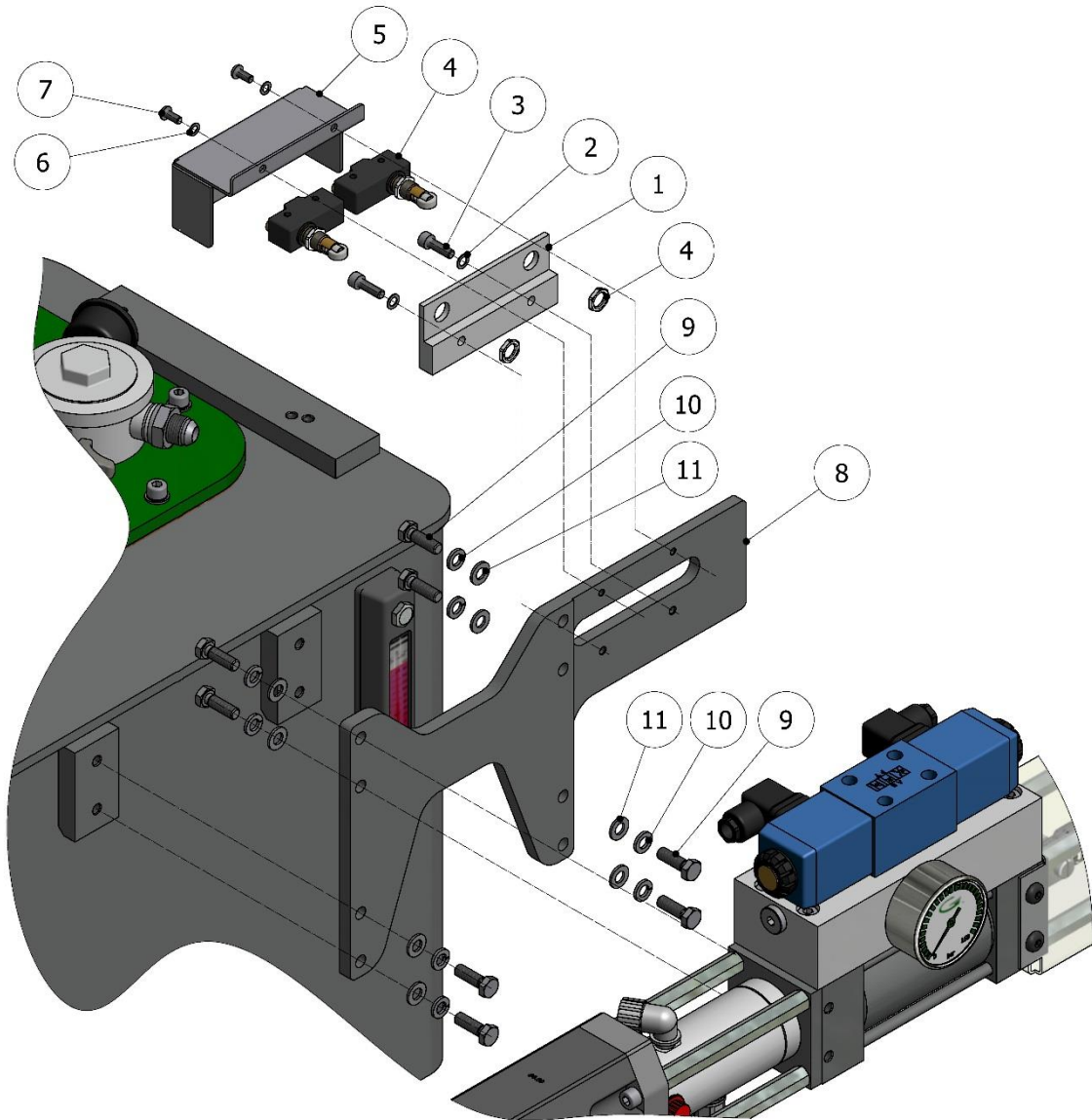


Item.	Description	Part Number	Qty.
1.9	Drain Pump Pipe (18 cc)	HI-00156	1
	Drain Pump Pipe (20 cc)	-	
1.10	Hex. Cap Screw (18 cc)	TN-00129	2
	Hex. Cap Screw (20 cc)	TN-00199	
1.11	Lock Washer (18 cc)	TN-00087	2
	Lock Washer (20 cc)	TN-00039	
1.12	Washer (18 cc)	TN-00162	2
	Washer (20 cc)	TN-00040	
1.13	Hex. Cap Screw	TN-00199	4
1.14	Lock Washer	TN-00039	4
1.15	Washer	TN-00040	4
1.16	Pressure Hose (18 cc)	HI-00157	1
	Pressure Hose (20 cc)		
1.17	Ferule (20 cc)	RA-00173	1
1.18	Ferule (18 cc - 20 cc)	RA-00029	1
1.19	Nut (20 cc)	RA-00174	1
1.20	Nut (18 cc - 20 cc)	RA-00028	1
2	Reservoir Cover Plate	HI-00163-00	1
3	Reservoir Cover Plate Gasket	HI-00164	1
4	Bulkhead Union	RA-00172	1
5	HYD-Oil Filler	HI-00002	1
6	Washer	TN-00119	10
7	Lock Washer	TN-00038	10
8	Screw	TN-00027	10
9	AET Washer	TN-00015	4
10	Screw	TN-00177	4
11	Flexible Extension	RA-00473	1
12	Coupler Extension to Pump	RA-00474	1
13	Support Extension to Cover	RA-00475	1
14	Handle	HI-00044-01	1
15	Hydraulic Tank	HI-00166-00	1
16	ULS Screw	TN-00166	6



Item.	Description	Part Number	Qty.
17	Metal O-Ring	OR-00082	1
18	Hex.Cap Plug	RA-00022	1
19	Thermometer and Fluid Level Gauge	HI-00001	1
20	Hydraulic Filter	HI-00123-00	1
21	Pressure Gauge (included in item 20)	HI-00123-03	1
22	Washer	TN-00162	2
23	Lock Washer	TN-00087	2
24	Hex. Cap Screw	TN-00163	2
25	Nipple	RA-00316	1
26	Hyd. Pressure Hose	HI-00158	1
27	Hyd. Return Hose	HI-00159	1
28	Allen Screw	TN-00117	2
29	Screw	TN-00436	2
30	Bell Gasket	HI-00160	1
31	Screw	TN-00437	1
32	Screw	TN-00099	2
33	Screw	TN-00246	2
34	Extension Guide	RA-00475-01	1

## REVERSING SWITCH & PUMP LINE SUPPORT



**Figure 4. Reversing Switch & Pump Line Support, Exploded View**



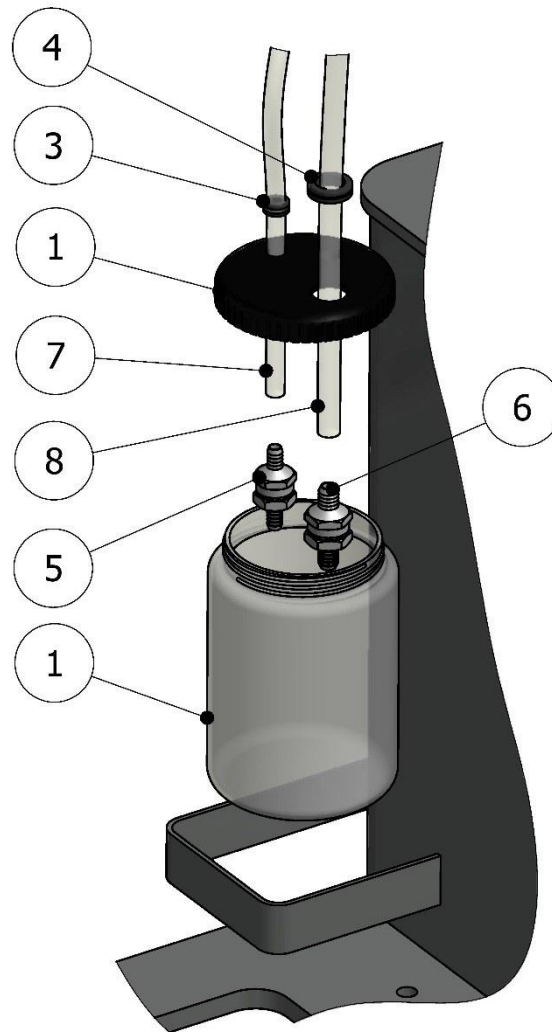


**Table 9. Reversing Switch & Pump Line Support, Parts List**

Item	Description	Part Number	Qty.
1	Reversing Switch Support	MQ-01005	1
2	AET Washer	TN-00048	2
3	Socket Head Cap Screw	TN-00026	2
4	Pump Reversing Switch (with 2 nuts)	EL-00020	2
5	Reversing Switch Cover	MQ-01006	1
6	AET Washer	TN-00017	2
7	ULS Screw	TN-00159	2
8	Pump Line Support	MQ-03000-00	1
9	Hex Head Cap Screw	TN-00146	4+4
10	Lock Washer	TN-00028	4+4
11	Washer	TN-00119	4+4



## LUBE RESERVOIR HOSE ASSEMBLY



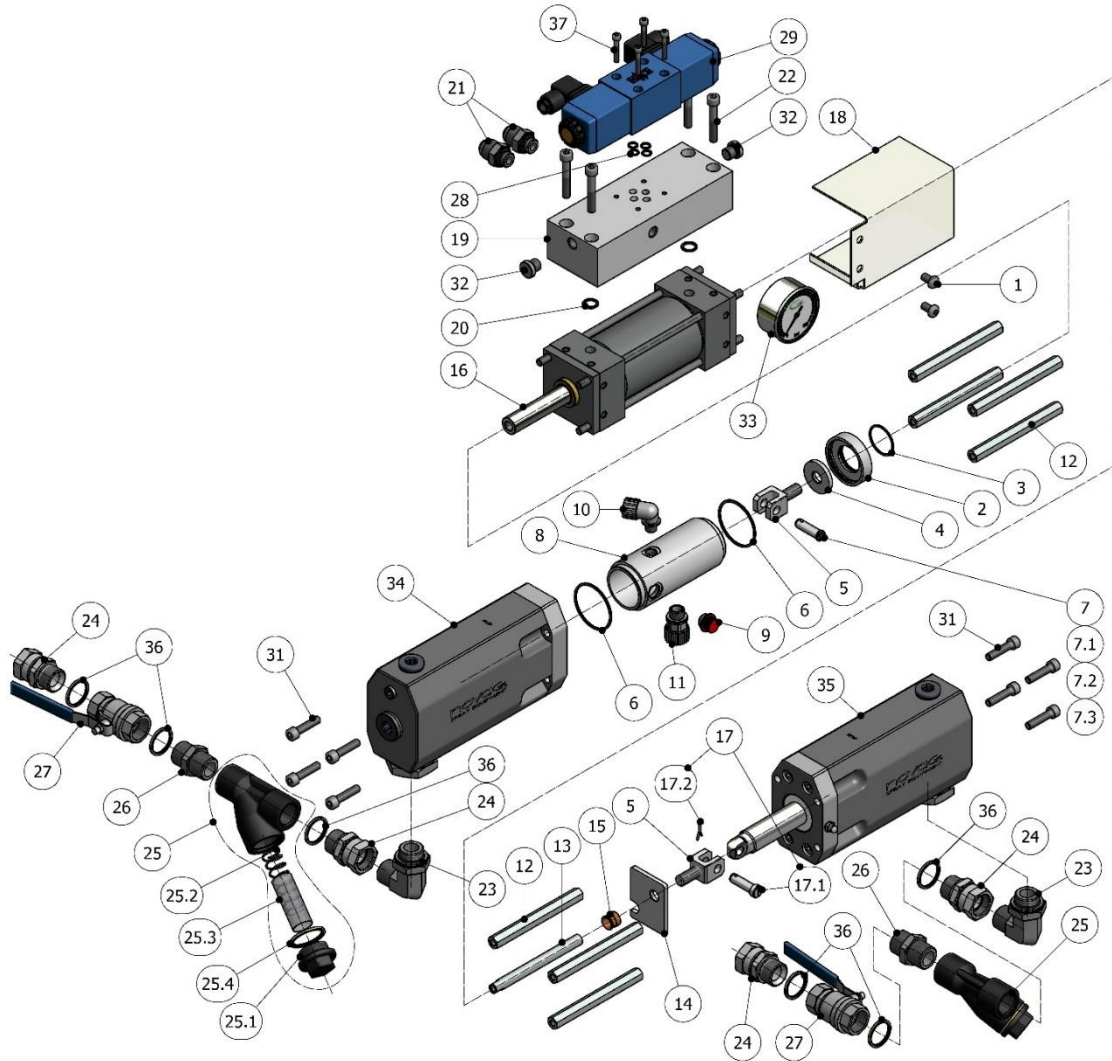
*Figure 5. Lube Reservoir Hose Assembly, Exploded View*

**Table 10. Lube Reservoir Hose Assembly, Parts List**

Item	Description	Part Number	Qty.
1	Lube Reservoir Bottle with Drilled Cap	MQ-01009-01	1
2			
3	Rubber Grommet	EL-00095-01	1
4	Rubber Grommet	EL-00095-03	1
5	Lube Reservoir Check Valve for Pipe 10x1	RA-00283	1
6	Lube Reservoir Check Valve for Pipe 12x1	RA-00068	1
7	Return Line	MA-00024	1
8	Supply Line	MA-00025	1



## PUMP LINE ASSEMBLY



**Figure 6. Pump Line Assembly, Exploded View**



**Table 11. Pump Line Assembly, Parts List**

Item	Description	Part Number	Qty.
1	"ULS" Screw	TN-00135	2
2	Lube Cylinder Adapter Plate	PU-01021	1
3	O-Ring	OR-00021	1
4	Baffle	PU-01019	1
5	Hydraulic Cylinder Clevis	PU-01043	2
6	Lube Cylinder O-Ring	OR-00020	2
7	"A" Clevis Pin Assembly (Include item 7.1, 7.2 & 7.3)	PU-01044-00	1
7.1	Clevis Pin (included in item 7)	PU-01044-01M	1
7.2	Clevis Pin Clip (included in item 7)	TN-00136	1
7.3	Washer (included in item 7)	TN-00024	1
8	Lube Cylinder	PU-01018	1
9	Polyethylene Pipe Plug	RA-00116	1
10	Lube Cylinder Elbow	RA-00066	1
11	Lube Cylinder fitting	RA-00067	1
12	Proportioning Pump Spacer	PU-01025	7
13	Reversing Switch Pump Spacer	PU-01026	1
14	Reversing Switch Activate Plate	PU-01023	1
15	Bronze Bushing	PU-01022	1
16	Hydraulic Cylinder With Spacers	NHI-00101	1
17	"R" Clevis Pin Assembly (includes item 17.1 & 17.2)	PU-01045-00	1
17.1	"R" Clevis Pin	PU-01045-01	1
17.2	Pin	TN-00077	1
18	Activator Plate Cover	PU-01027	1
19	Hydraulic Manifold	MQ-01007	1
20	O-Ring	OR-00019	2
21	Hex nipple	RA-00062	2
22	Socket Head Cap Screw	TN-00090	4
23	Elbow	RA-00072	2
24	Swivel Union	RA-00073	4



Item	Description	Part Number	Qty.
25	Y-Strainer	RA-00074-00	2
25.1	Filter Plug	RA-00074-01	2
25.2	Filter Spring	SP-00017	2
25.3	Filter	RA-00074-03-30	2
25.4	Filter Gasket	OR-00061	2
26	Hex Nipple	RA-00143	2
27	Ball Valve	RA-00078	2
28	O-ring	OR-00035	4
29	Directional valve	HI-00054	1
30			
31	Socket Head Cap Screw	TN-00245	8
32	Plug	RA-00013	2
33	Hydraulic Gauge	NHI-00078	1
34	"A" Proportioning Pump Assembly	See Table 12	1
35	"R" Proportioning Pump Assembly	See Table 12	1
36	Gasket	OR-00082	6
37	Screw	TN-00148	4

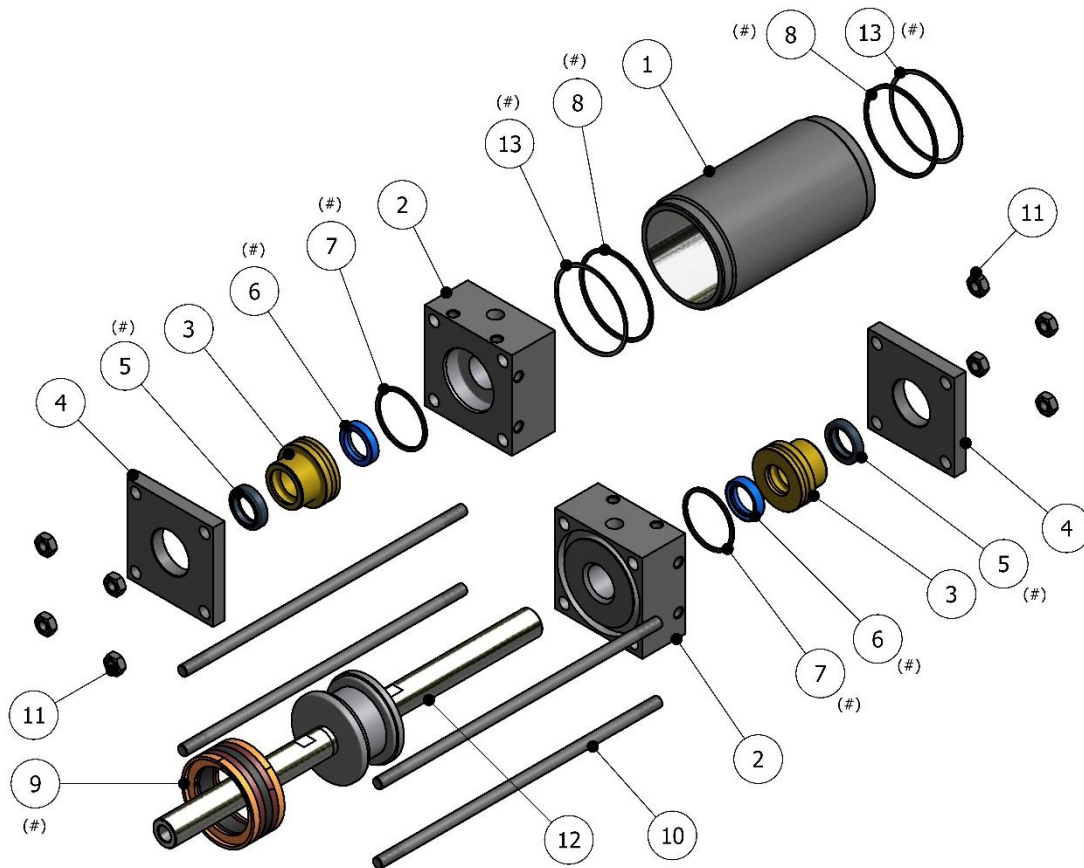
**Table 12. Proportioning Pump Size, Parts**

SIZE	Proportioning Pump Size	
	item 34 (ISO Pump)	item 35 (POL Pump)
1.20 (standard)	NPU-06101-012G	NPU-06102-012G
0.80 (optional)	NPU-06101-008G	NPU-06102-008G

**Note: (\*) The standard proportioning pump size is #1.20. Different sizes are available under order. For delivery time, please consult with marketing department.**



## HYDRAULIC CYLINDER WITH SPACERS



*Figure 7. Hydraulic Cylinder with Spacers, Exploded View*

**N.B.:** The indicated parts (#) are included in the repair seal kit KT-00010-01.

**Table 13. Hydraulic Cylinder with Spacers, Parts List**

Item	Description	Part Number	Qty.
1	Cylinder Body	NHI-00025-05	1
2	Port Block	NHI-00101-04	2
3	Rod Bushing	HI-00101-03	2
4	Front Plate	NHI-00025-02	2
5	Rod Wiper	OR-00095	2 (#)
6	Shaft Seal	OR-00096	2 (#)
7	O-Ring	OR-00039	2 (#)
8	O-Ring	OR-00040	2 (#)
9	Piston O-ring	OR-00041-00	1 (#)
10	Hydraulic Cylinder Tie Rod	NHI-00025-06	4
11	Nut (*)	TN-00029	8
12	Piston	HI-00101-01	1
13	O-Ring Anti Extrusion	OR-00063	2 (#)

*(\*) Only when the cylinder is supplied as a spare part. Not included in the Pump Line fitted in the machine.*

*The indicated parts (#) are included in the repair seal kit KT-00010-01*





## “A” PROPORTIONING PUMP ASSEMBLY

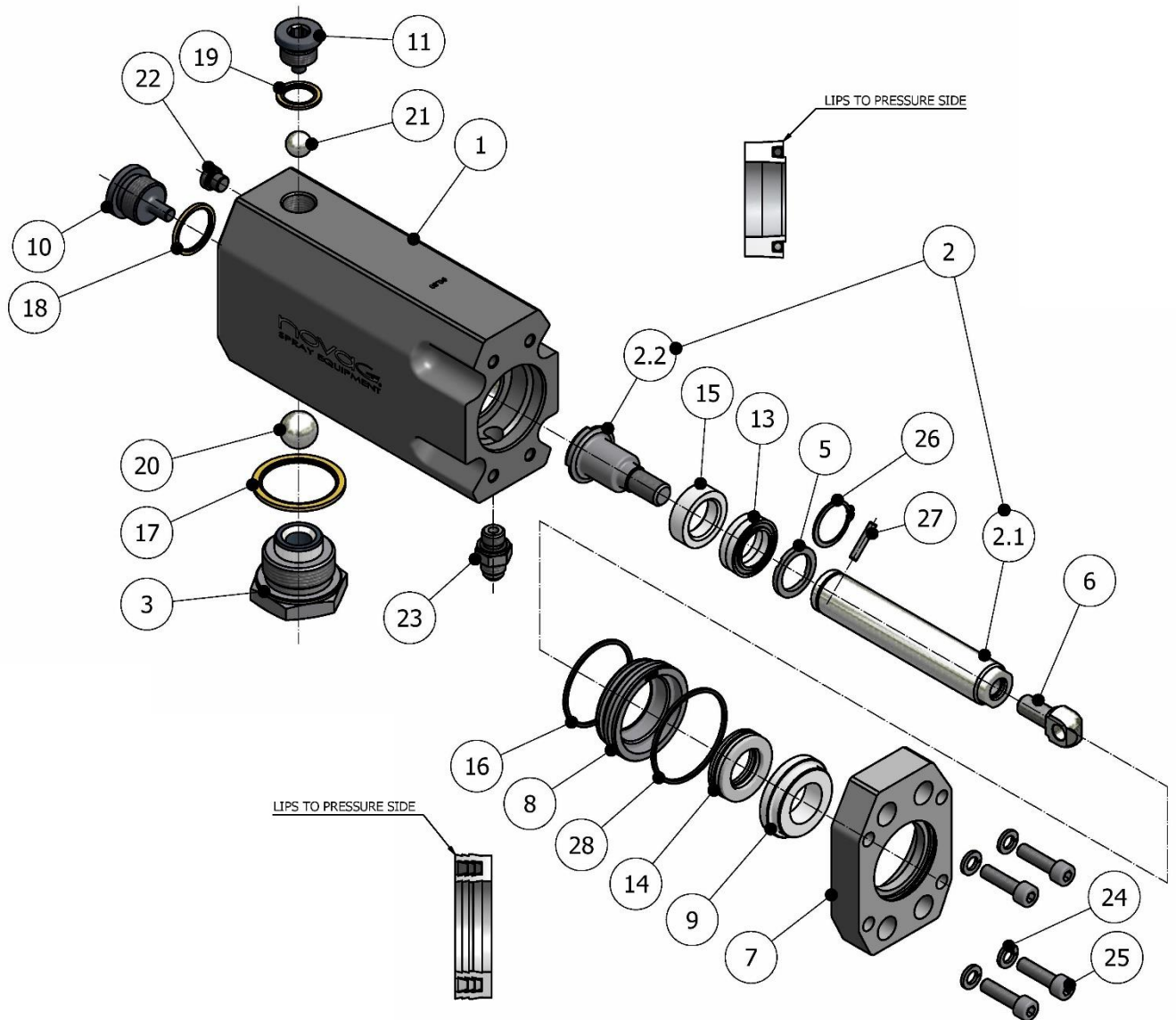


Figure 8. “A” Proportioning Pump Assembly, Exploded View



**Table 14. "A" Proportioning Pump Assembly, Parts List**

Item	Description	Part Number	Qty.
1	Body Pump with Check Valve Seat	See Table 15	1
2	Piston Rod Assembly (Only item. 2.1 y 2.2)	See Table 15	1
2.1	Piston Rod (Included in item 2)	See Table 15	1 (#)
2.2	Piston Head (Included in item 2)	See Table 15	1 (#)
3	Inlet Ball Seat Assembly	PU-01003-0J	1
4			
5	Piston Seal	See Table 15	1
6	Pump Clevis	PU-01042	1
7	Monobloc Flange Pump – ISO	NPU-06004	1
8	Seat Seal – ISO	See Table 15	1
9	Bearing ISO	See Table 16	1 (*)
10	Plug Side Pump	PU-01003-0E	1
11	Upper Plug Pump	PU-01003-0F	1
12			
13	Piston Seal	See Table 16	1 (*)
14	Cylinder Seal	See Table 16	1 (*)
15	Piston Guide	See Table 16	1 (*)
16	O-Ring	See Table 16	1 (*)
17	Metallic Ring	OR-00088	1
18	Metallic Ring	OR-00082	1
19	Metallic Ring	OR-00023	1
20	Lower Ball	TN-00013	1
21	Upper Ball	TN-00012	1
22	Plug	RA-00211	1
23	Output Elbow	RA-00145	1
24	Washer	TN-00028	4
25	Allen Screw	TN-00062	4
26	Seeger Ring	See Table 15	1
27	Pin	See Table 15	1
28	O-Ring	See Table 16	1 (*)

**N.B.:** The parts marked with (\*), are included in the repair seal kit of "A" pump (see Table 17).

The parts marked with (#), are not supplied separately.



**Table 15. "A" Proportioning Pump Assembly, Parts List**

Pump	Item 1	Item 2 (2.1 + 2.2)	Item 2.1	Item 2.2
1.20 (#)	NPU-06001-012	PU-01006-012	PU-01007-012	PU-01008-012
0.80	NPU-06001-008	PU-01006-008	PU-01007-008	PU-01008-008

Pump	Item 5	Item 8	Item 26	Item 27
1.20 (#)	PU-01010-012	PU-06009-012G	TN-00070	TN-00086
0.80	PU-01010-008	PU-06009-008G	TN-00067	TN-00085

**Table 16. Seals Monobloc "A" Pump**

item	1.20 (#)	0.80
9	PU-06007-012	PU-06007-008
13	PU-01016-012A	PU-01016-008A
14	PU-01017-012G	PU-01017-008G
15	PU-01014-012A	PU-01014-008A
16	OR-00009	OR-00009
28	OR-00115	OR-00115

**Table 17. Repair Seal Kit "A" Pump**

Pump	Item
1.20 (#)	KT-00157
0.80	KT-00159

**N.B :**

**(#) The standard proportioning pump sizes is #1.20. Different sizes are available under order. For delivery time, please consult with marketing department.**

**The Repair seal kit include the parts indicated (\*) in the Table 14.**



### “R” PROPORTIONING PUMP ASSEMBLY

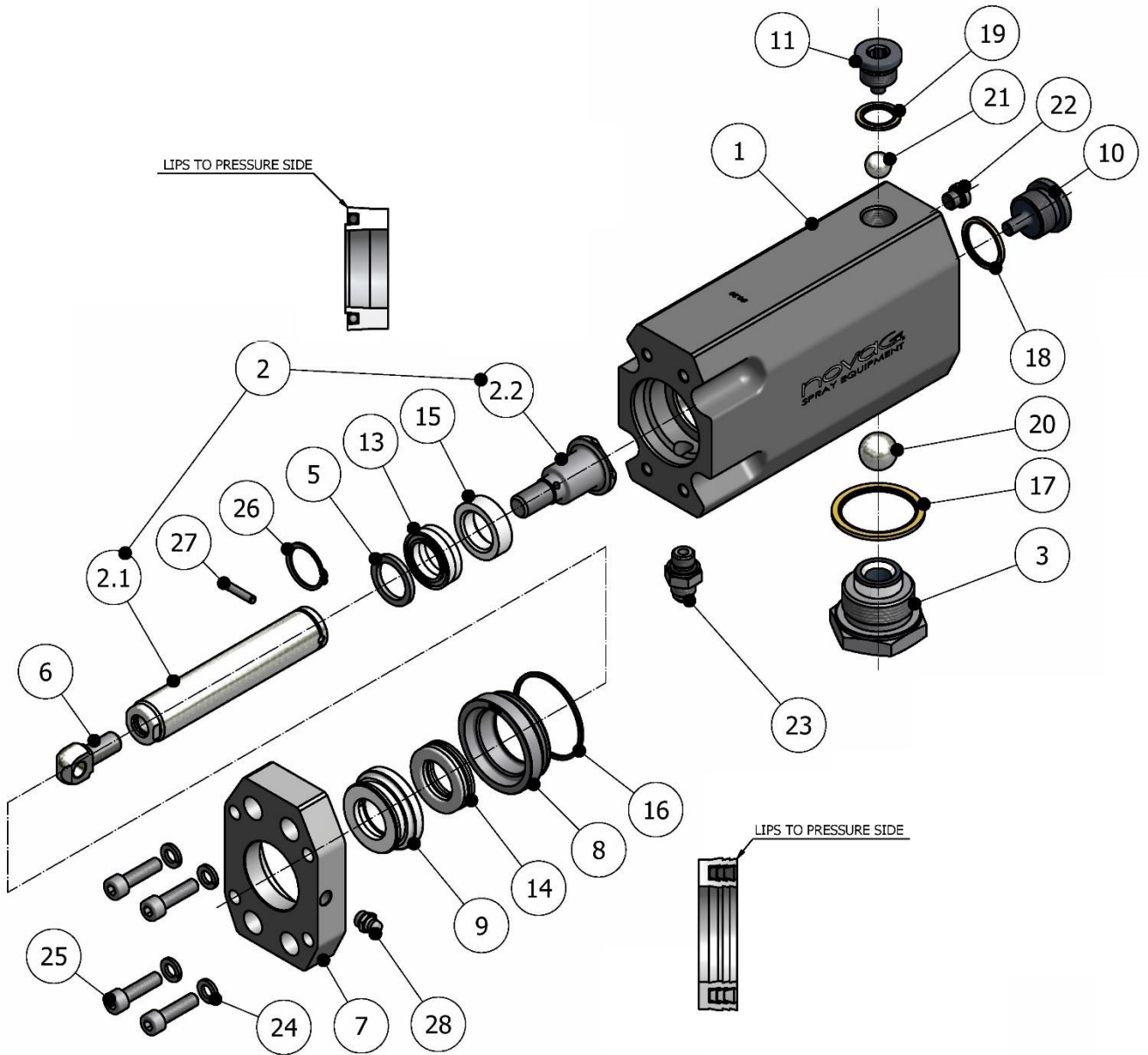


Figure 9. “R” Proportioning Pump Assembly, Exploded View



**Table 18. "R" Proportioning Pump Assembly, Parts List**

Item	Description	Part Number	Qty.
1	Body Pump with Check Valve Seat	See Table 19	1
2	Piston Rod Assembly (Only item. 2.1 y 2.2)	See Table 19	1
2.1	Piston Rod (Included in item 2)	See Table 19	1 (#)
2.2	Piston Head (Included in item 2)	See Table 19	1 (#)
3	Inlet Ball Seat Assembly	PU-01003-0J	1
4			
5	Piston Seal	See Table 19	1
6	Pump Clevis	PU-01042	1
7	Monobloc Flange Pump – POL	NPU-06005	1
8	Seat Seal – POL	See Table 19	1
9	Bearing ISO	See Table 20	1 (*)
10	Plug Side Pump	PU-01003-0E	1
11	Upper Plug Pump	PU-01003-0F	1
12			
13	Piston Seal	See Table 20	1 (*)
14	Cylinder Seal	See Table 20	1 (*)
15	Piston Guide	See Table 20	1 (*)
16	O-Ring	See Table 20	1 (*)
17	Metallic Ring	OR-00088	1
18	Metallic Ring	OR-00082	1
19	Metallic Ring	OR-00023	1
20	Lower Ball	TN-00013	1
21	Upper Ball	TN-00012	1
22	Plug	RA-00211	1
23	Exit Elbow	RA-00145	1
24	Washer	TN-00028	4
25	Allen Screw	TN-00062	4
26	Seeger Ring	See Table 19	1
27	Pin	See Table 19	1
28	Grease Fiting	TN-00073	1

**N.B.:** The parts marked with (\*), are included in the repair seal kit of "R" pump (see Table 21).

The parts marked with (#), are not supplied separately.



**Table 19. "R" Proportioning Pump Assembly, Parts List**

Pump	Item 1	Item 2 (2.1 + 2.2)	Item 2.1	Item 2.2
1.20 (*)	NPU-06001-012	PU-01006-012	PU-01007-012	PU-01008-012
0.80	NPU-06001-008	PU-01006-008	PU-01007-008	PU-01008-008

Pump	Item 5	Item 8	Item 26	Item 27
1.20 (*)	PU-01010-012	PU-06006-012G	TN-00070	TN-00086
0.80	PU-01010-008	PU-06006-008G	TN-00067	TN-00085

**Table 20. Seals Monobloc "R" Pump**

Ítem	1.20 (#)	0.80
9	PU-06008-012	PU-06008-008
13	PU-01016-012A	PU-01016-008A
14	PU-01017-012G	PU-01017-008G
15	PU-01014-012A	PU-01014-008A
16	OR-00009	OR-00009

**Table 21. Repair Seal Kit "R" Pump**

Pump	Item
1.20 (#)	KT-00158
0.80	KT-00160

**N.B :**

**(#) The standard proportioning pump size is #1.20. Different sizes are available under order. For delivery time, please consult with marketing department.**

**The Repair seal kit include the parts indicated (\*) in the Table 18.**



## “A” STANDARD PRIMARY HEATER

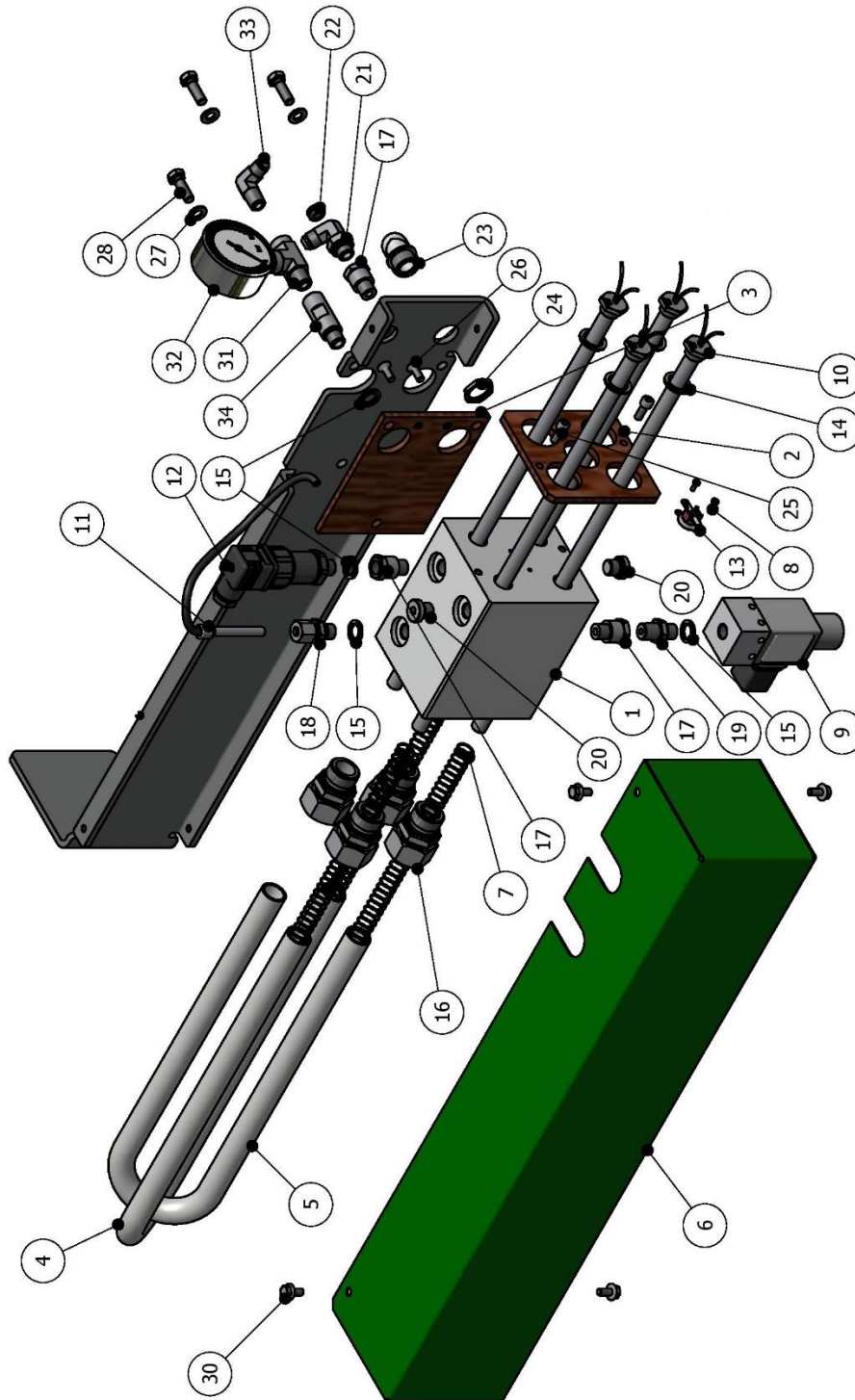


Figure 10. “A” Standard Primary Heater, Exploded View



**Table 22. "A" Standard Primary Heater, Parts List**

Item	Description	Part Number	Qty.
1	Heater Block	NCL-03001-02A	1
2	Front Insulate Plate	NCL-03001-03A	1
3	Side Insulate Plate	NCL-03001-04	1
4	Long Pipe	NCL-03001-05	1
5	Short Pipe	NCL-03001-06	1
6	Heater Cover	NCL-03001-07	1
7	Spring	SP-00030	3
8	Screw	TN-00128	2
9	Pressure Switch	HI-00021	1
10	Heat Resistance	See Table 23	4
11	Thermocouple	EL-00146-00	1
12	Transducer	HI-00033	1
13	Thermal Limit Switch	EL-00006	1
14	Metal O-Ring	OR-00018	4
15	Metal O-Ring	OR-00054	4
16	Male Connector	RA-00468	4
17	Extension Nipple	RA-00077	3
18	Male Connector for Thermocouple	RA-00231	1
19	Union	RA-00138	1
20	Plug	RA-00013	2
21	Elbow 90°	RA-00050	1
22	Grommet	EL-00095-00	1
23	Plastic Elbow	EL-00087-01	1
24	Nut	EL-00090-01	1
25	Screw	TN-00061	2
26	Screw	TN-00322	2
27	Washer	TN-00119	3
28	Hex. Cap Screw	TN-00146	3





Item	Description	Part Number	Qty.
29			
30	Hex. Flange Bolt	TN-00491	4
31	"T" Adapter	RA-00018	1
32	Pressure Gauge	NHI-00035	1
33	Elbow 90°	RA-00254	1
34	Extension Nipple	RA-00100	1

**Table 23. "A" Heat Resistance & Press. Gauge Reference List**

Item	Description	Part Number	Qty.
10	Heat Resistance 400v 1500w	EL-00179	4
	Heat Resistance 400v 1250w	EL-00197	4
	Heat Resistance 230v 1500w	EL-00035	4



## “R” STANDARD PRIMARY HEATER

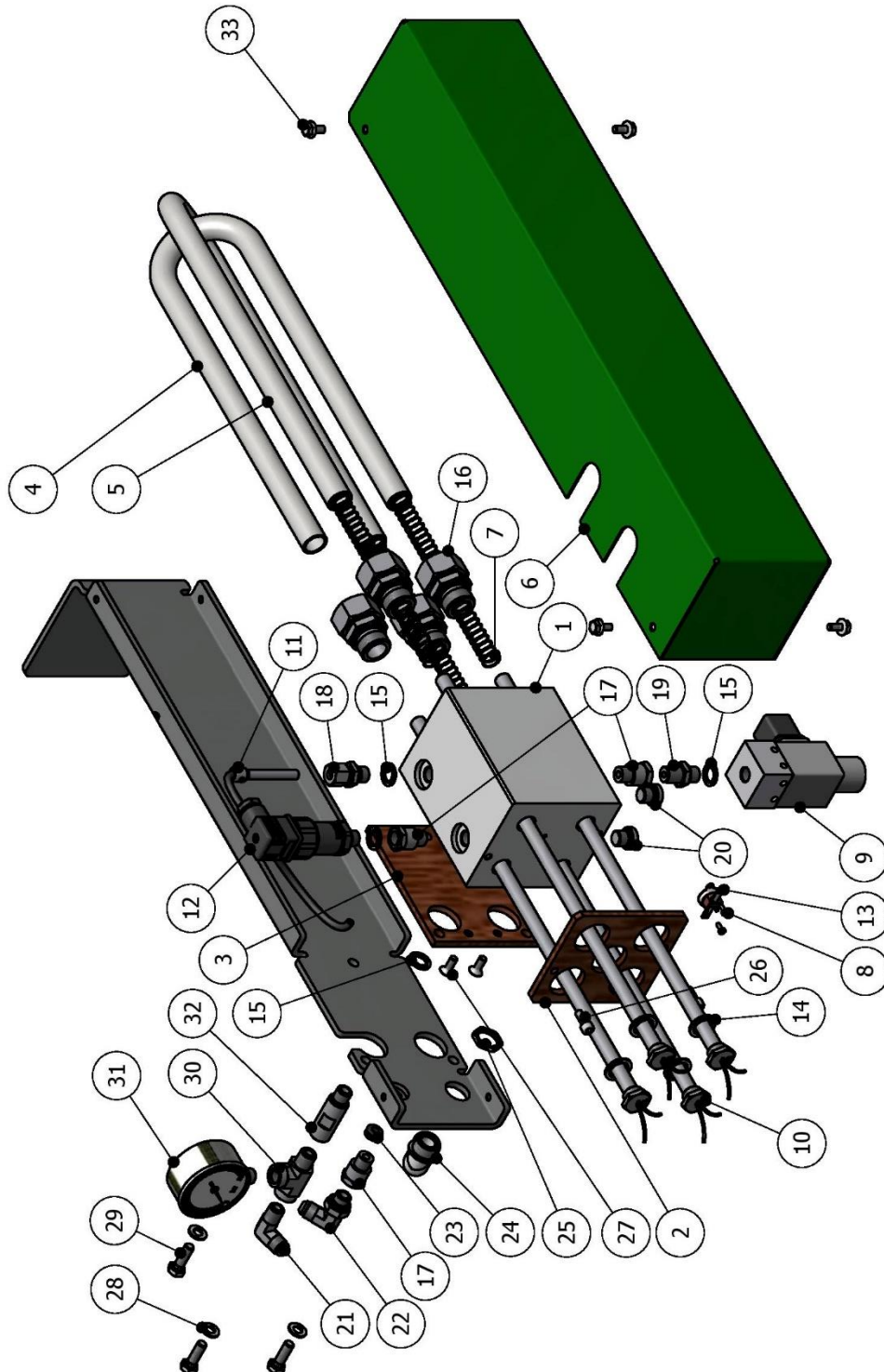


Figure 11. “R” Standard Primary Heater, Exploded View

**Table 24. "R" Standard Primary Heater, Parts List**

Item	Description	Part Number	Qty.
1	Heater Block	NCL-03001-02A	1
2	Front Insulate Plate	NCL-03001-03A	1
3	Side Insulate Plate	NCL-03001-04	1
4	Short Pipe	NCL-03001-06	1
5	Long Pipe	NCL-03001-05	1
6	Heater Cover	NCL-03002-07	1
7	Spring	SP-00030	3
8	Screw	TN-00128	2
9	Pressure Switch	HI-00021	1
10	Heat Resistance	See Table 25	4
11	Thermocouple	EL-00146-00	1
12	Transducer	HI-00033	1
13	Thermal Limit Switch	EL-00006	1
14	Metal O-Ring	OR-00018	4
15	Metal O-Ring	OR-00054	4
16	Male Connector	RA-00468	4
17	Extension Nipple	RA-00077	3
18	Male Connector for Thermocouple	RA-00231	1
19	Union	RA-00138	1
20	Plug	RA-00013	2
21	Elbow 90°	RA-00044	1
22	Elbow 90°	RA-00050	1
23	Grommet	EL-00095-00	1
24	Plastic Elbow	EL-00087-01	1
25	Nut	EL-00090-01	1
26	Screw	TN-00061	2
27	Screw	TN-00322	2
28	Washer	TN-00119	3
29	Hex. Cap Screw	TN-00146	3



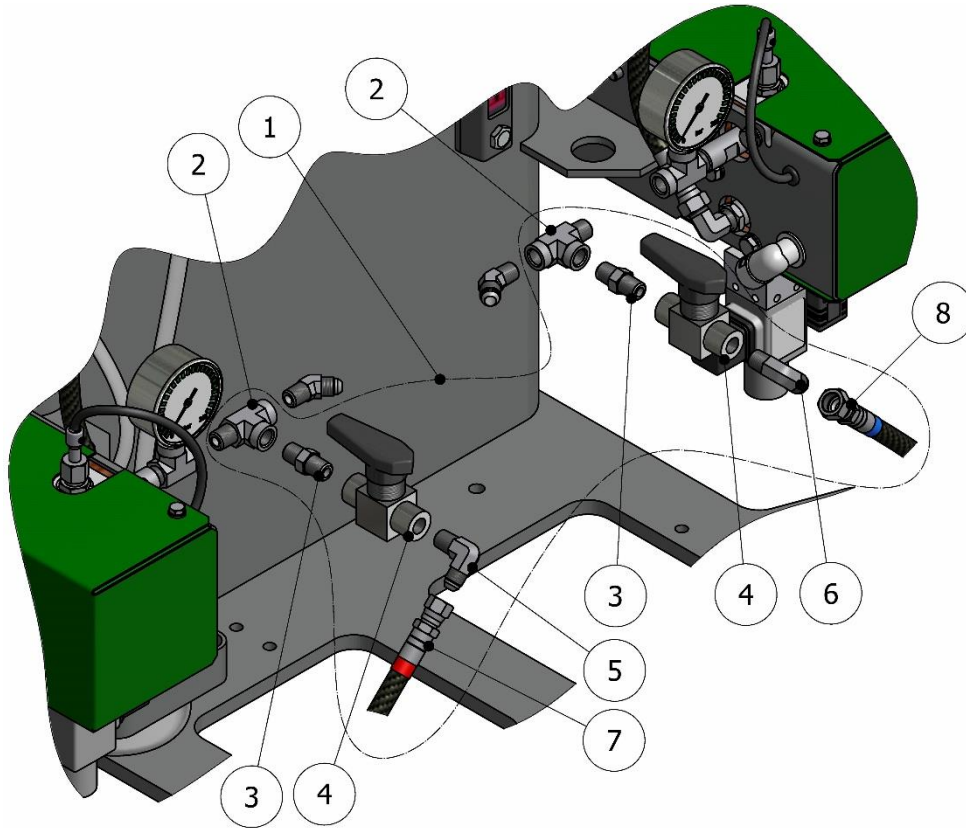
Item	Description	Part Number	Qty.
30	"T" Adapter	RA-00018	1
31	Pressure Gauge	NHI-00035	1
32	Extension Nipple	RA-00100	1
33	Hex. Flange Bolt	TN-00491	4
34			

**Table 25. "R" Heat Resistance & Press. Gauge Reference List**

Item	Description	Part Number	Qty.
10	Heat Resistance 400v 1500w	EL-00179	4
	Heat Resistance 400v 1250w	EL-00197	4
	Heat Resistance 230v 1500w	EL-00035	4



**RECIRCULATION KIT P#: KT-00038**



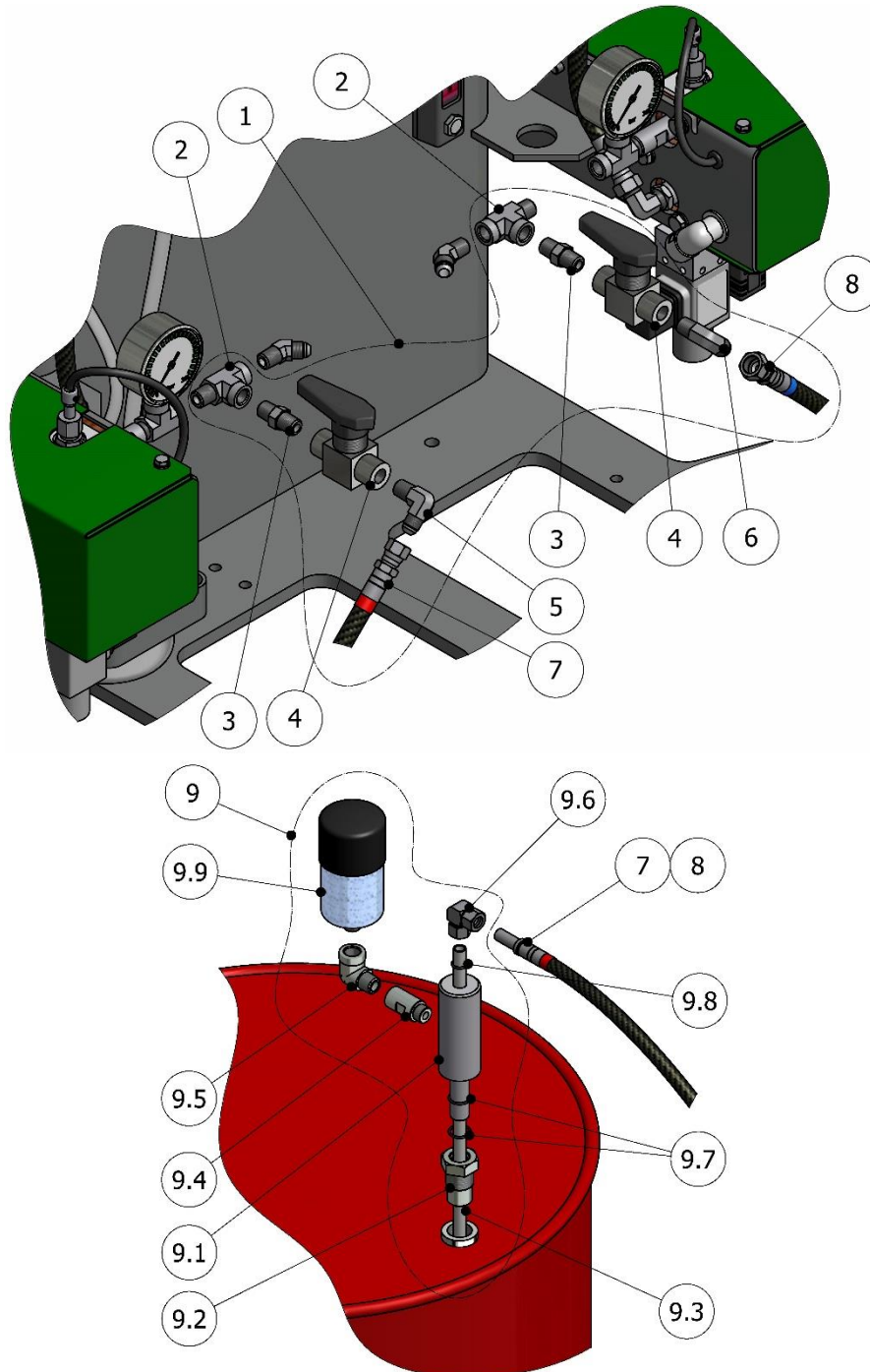
*Figure 12. Recirculation Kit P#: KT-00038, Exploded View*

*Table 26. Standard Recirculation Kit, Parts List*

Item	Description	Part Number	Qty.
1	Recirculation Kit	KT-00038	1
2	"T" Union	RA-00018	2
3	Male Union	RA-00188	2
4	Ball Valve	RA-00217	2
5	Elbow 90° ISO Side	RA-00254	1
6	Elbow 90° POL Side	RA-00044	1
7	A-Hose	MA-00050-01	1
8	R-Hose	MA-00050-00	1



**RECIRCULATION KIT P#: KT-00038-01**



**Figure 13. Recirculation Kit P#: KT-00038-01, Exploded View**



**Table 27. Recirculation Kit #KT-00038-01, Parts List**

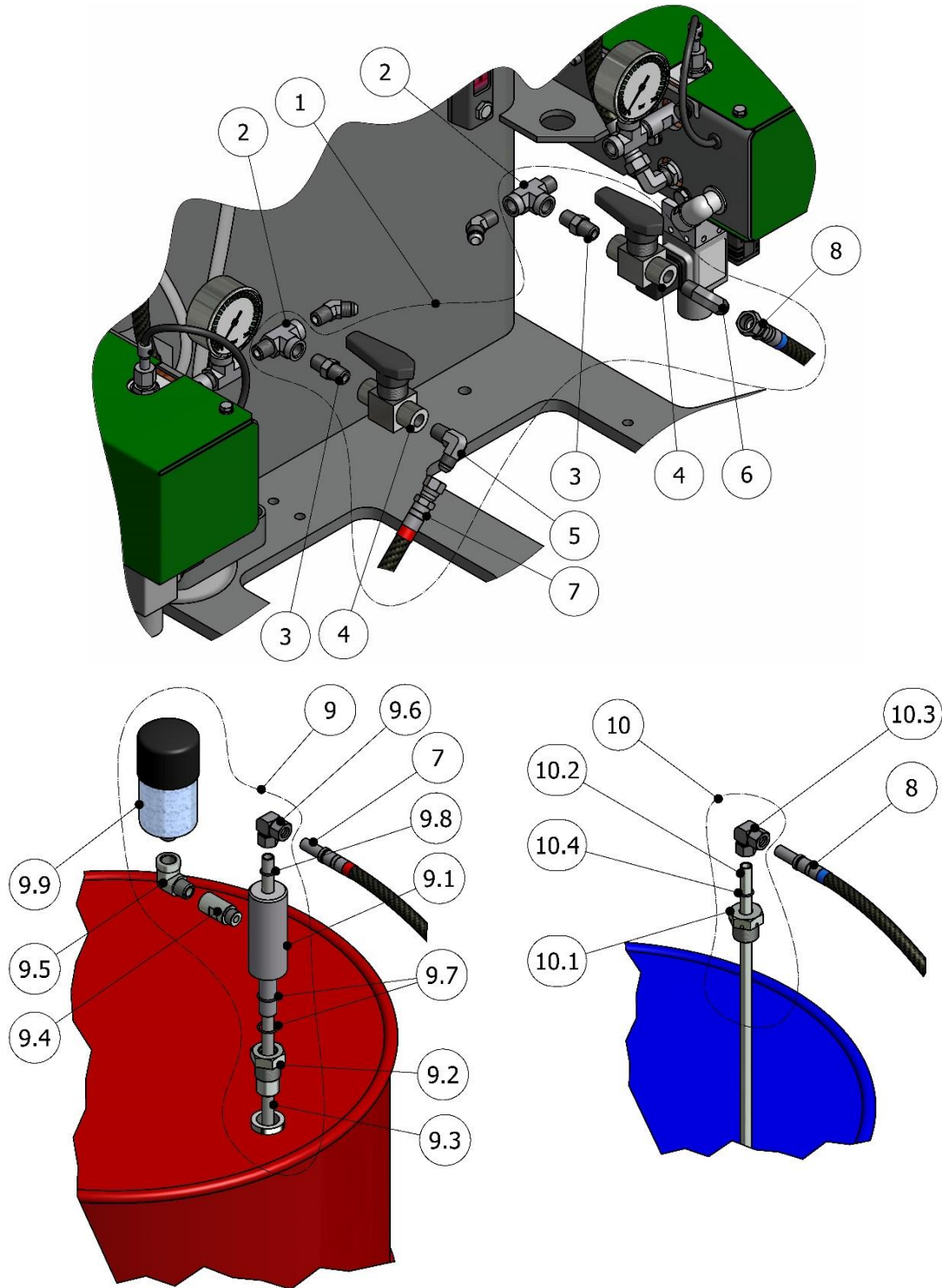
Item	Description	Part Number	Qty.
1	Recirculation Kit	KT-00038-01	1
2	"T" Union	RA-00018	2
3	Male Union	RA-00188	2
4	Ball Valve	RA-00217	2
5	Elbow 90° ISO Side	RA-00254	1
6	Elbow 90° POL Side	RA-00044	1
7	A-Hose	MA-00050-01	1
8	R-Hose	MA-00050-00	1
9	Assy. Connection to Tank with Filter	MQ-05009-00	2
9.1	Body Connection	MQ-05010	1 (*)
9.2	Connection Tank	MQ-05009	1 (*)
9.3	Pipe	HI-00075	1 (*)
9.4	Extension	RA-00256	1 (*)
9.5	Elbow	RA-00257	1 (*)
9.6	Elbow for Pipe	RA-00200	1 (*)
9.7	O-Ring	OR-00055	2(*)
9.8	O-Ring	OR-00011	1 (*)
9.9	Dehumidifier Filter	NE-00045	1 (*)

**N.B.:**

**(\*) Unitary Quantities included in 1 set of item.9**



**RECIRCULATION KIT P#: KT-00038-03**



*Figure 14. Recirculation Kit P#: KT-00038-03, Exploded View*





**Table 28. Recirculation Kit #KT-00038-03, Parts List**

Item	Description	Part Number	Qty.
1	Recirculation Kit	KT-00038-03	1
2	"T" Union	RA-00018	2
3	Male Union	RA-00188	2
4	Ball Valve	RA-00217	2
5	Elbow 90° ISO Side	RA-00254	1
6	Elbow 90° POL Side	RA-00044	1
7	A-Hose	MA-00050-01	1
8	R-Hose	MA-00050-00	1
9	Assy. Connection to Tank with Filter	MQ-05009-00	1
9.1	Body Connection	MQ-05010	1
9.2	Connection Tank	MQ-05009	1
9.3	Pipe	HI-00075	1
9.4	Extension	RA-00256	1
9.5	Elbow	RA-00257	1
9.6	Elbow for Pipe	RA-00200	1
9.7	O-Ring	OR-00055	2
9.8	O-Ring	OR-00011	1
9.9	Dehumidifier Filter	NE-00045	1
10	Assy. Connection to Tank w/o Filter	MQ-05010-00	1
10.1	Connection Tank	MQ-05009-A	1
10.2	Pipe	HI-00075	1
10.3	Elbow for Pipe	RA-00200	1
10.4	O-ring	OR-00011	1



## ELECTRICAL SCHEMATIC DIAGRAM 3PE~400V 50/60Hz

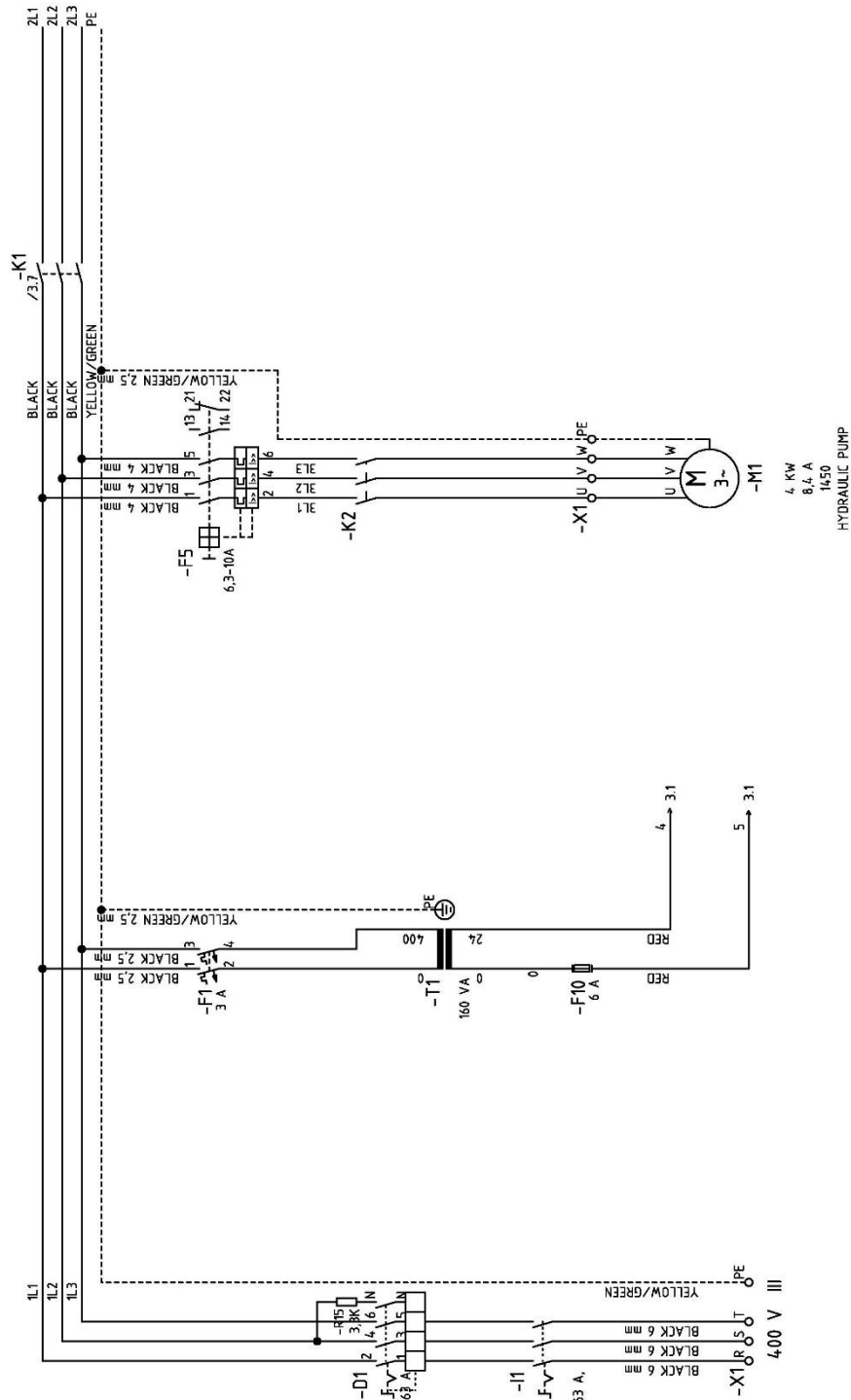


Figure 15. Elec. Schem. 3PE~400V 50/60Hz Standard Version (Sheet 1/7)

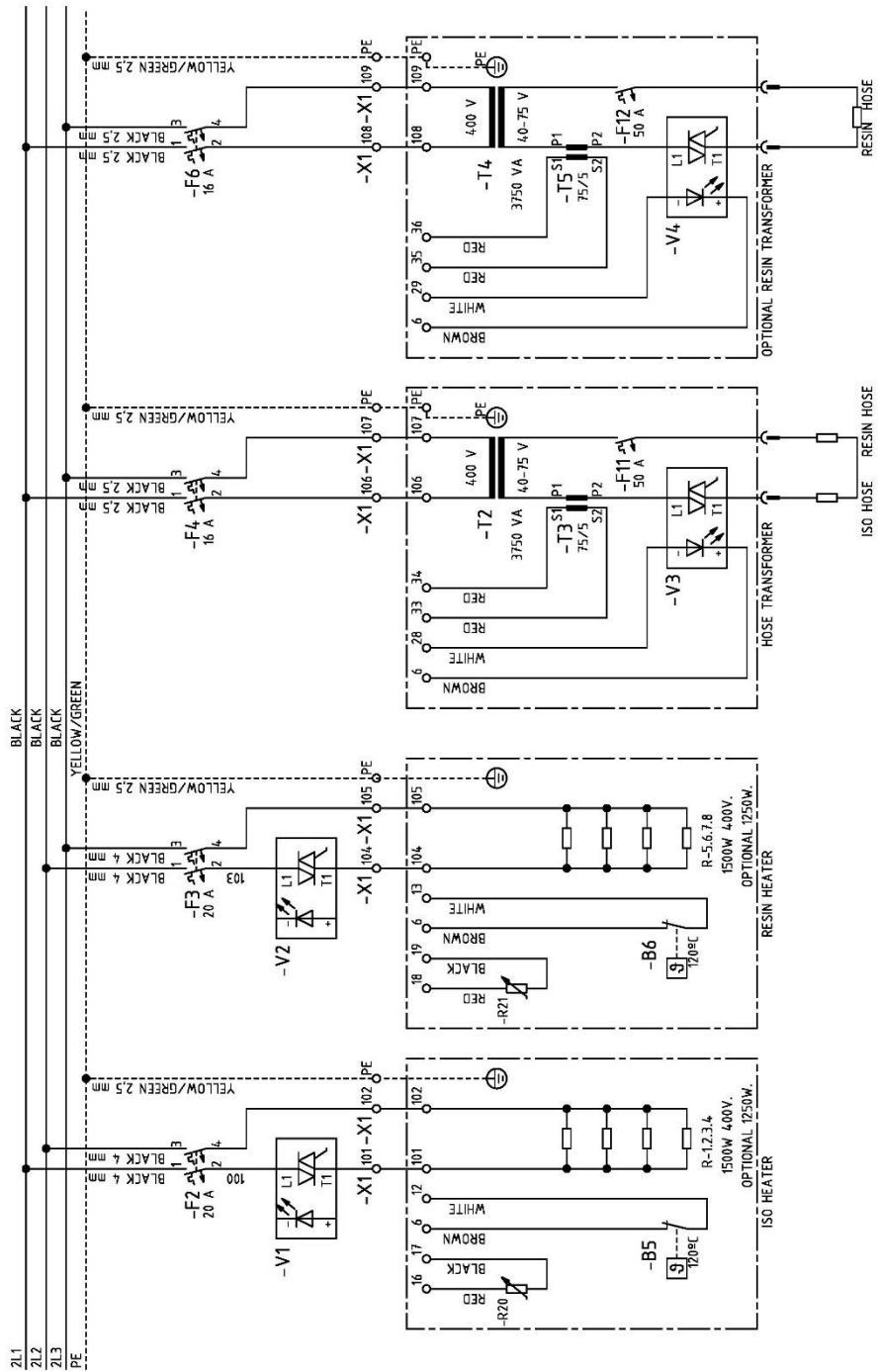


Figure 16. Elec. Schem. 3PE~400V 50/60Hz Standard Version (Sheet 2/7)

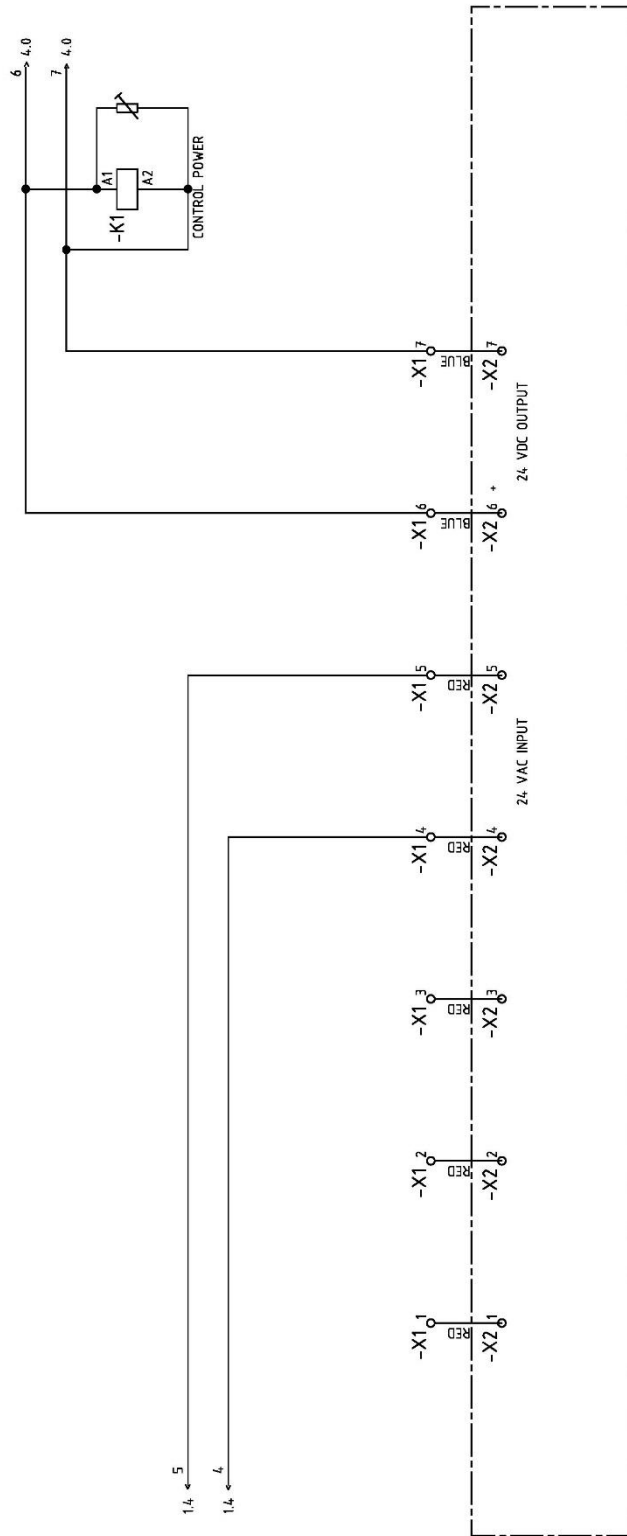


Figure 17. Elec. Schem. 3PE~400V 50/60Hz Standard Version (Sheet 3/7)

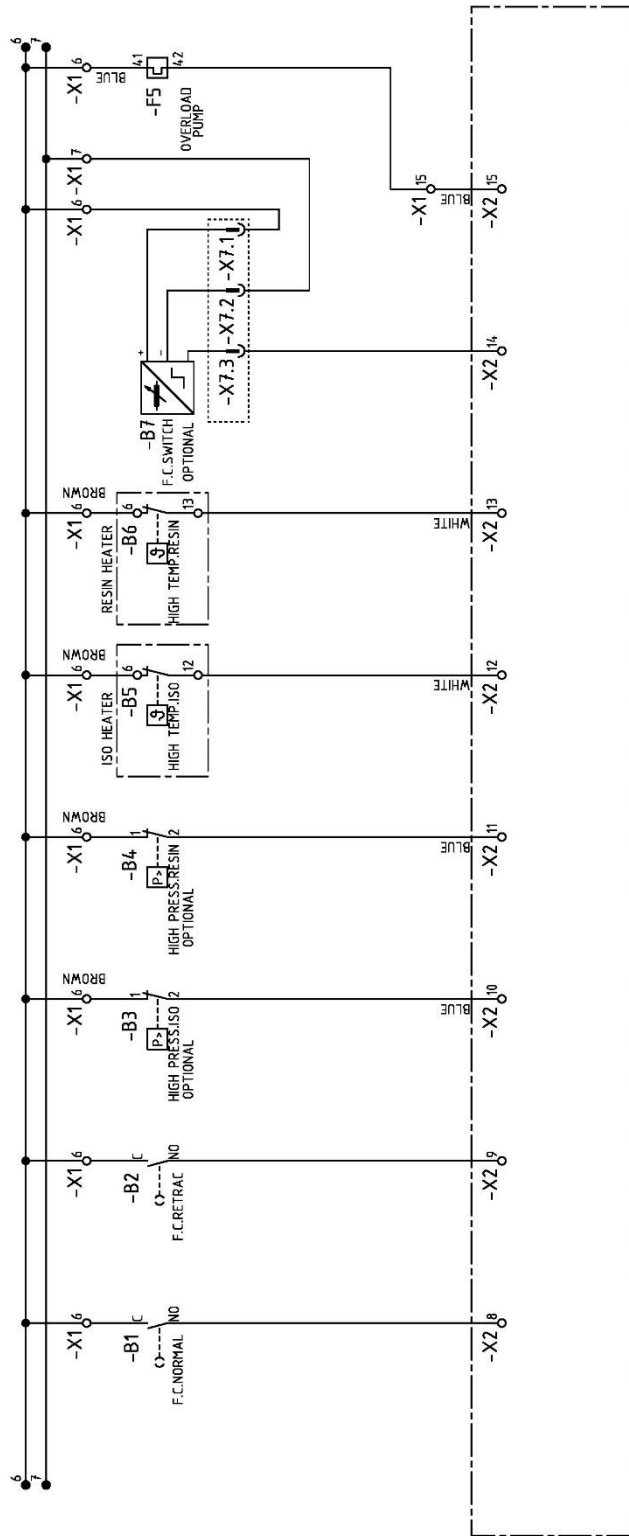


Figure 18. Elec. Schem. 3PE~400V 50/60Hz Standard Version (Sheet 4/7)

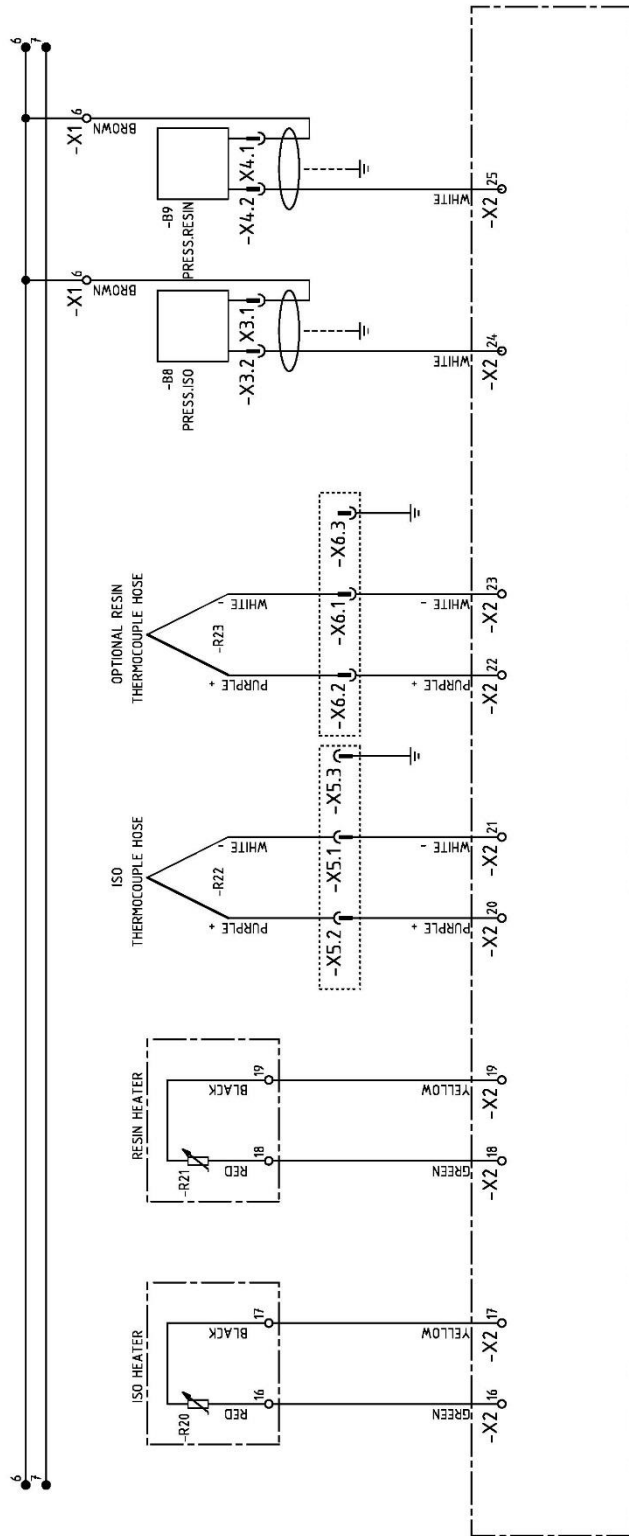


Figure 19. Elec. Schem. 3PE~400V 50/60Hz Standard Version (Sheet 5/7)

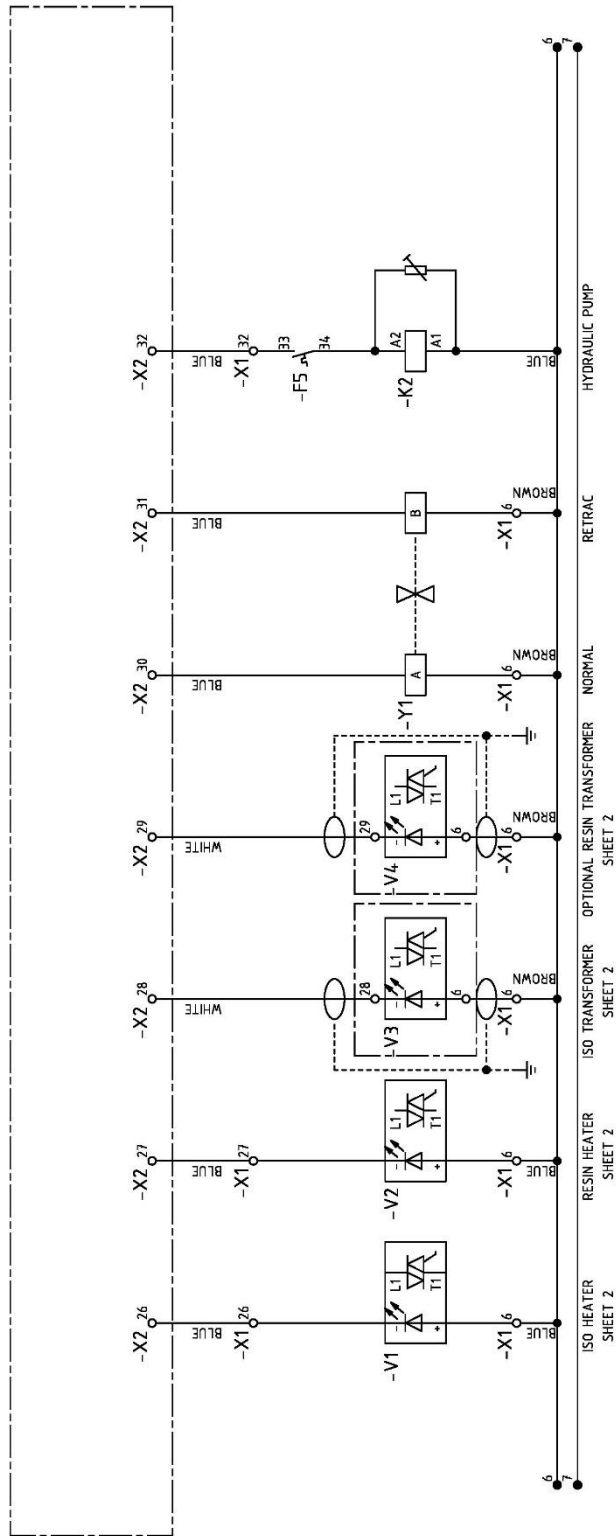


Figure 20. Elec. Schem. 3PE~400V 50/60Hz Standard Version (Sheet 6/7)

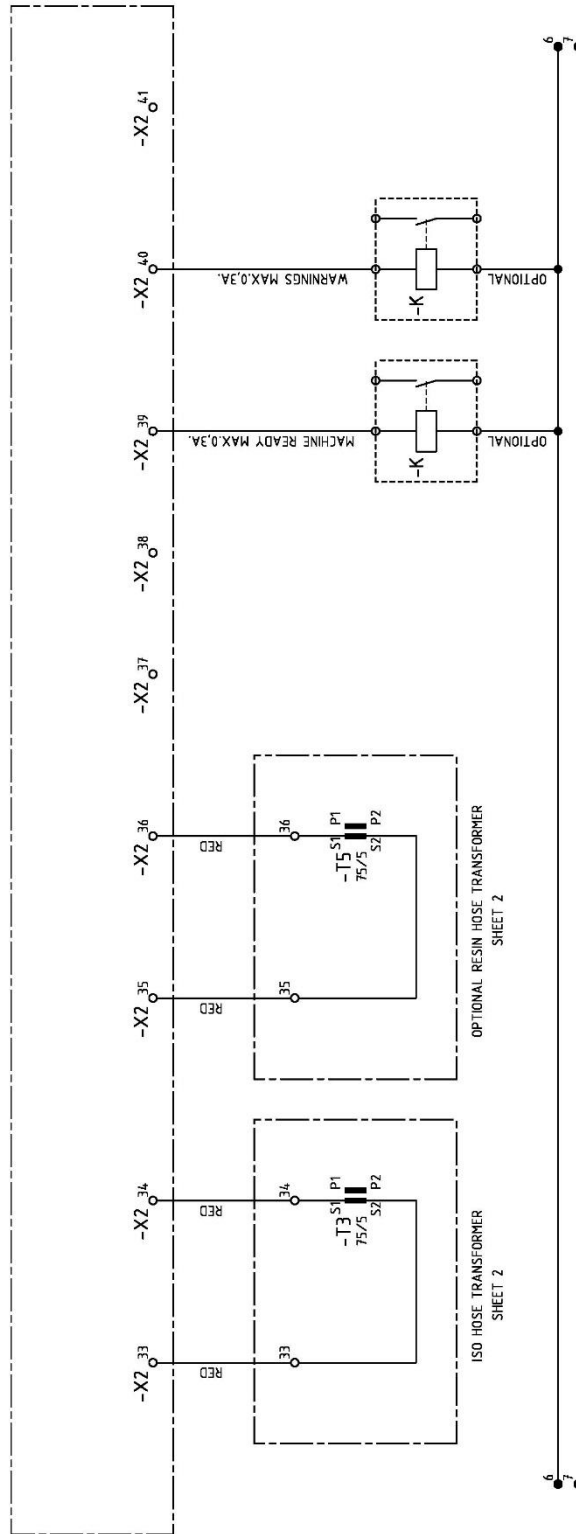


Figure 21. Elec. Schem. 3PE~400V 50/60Hz Standard Version (Sheet 7/7)



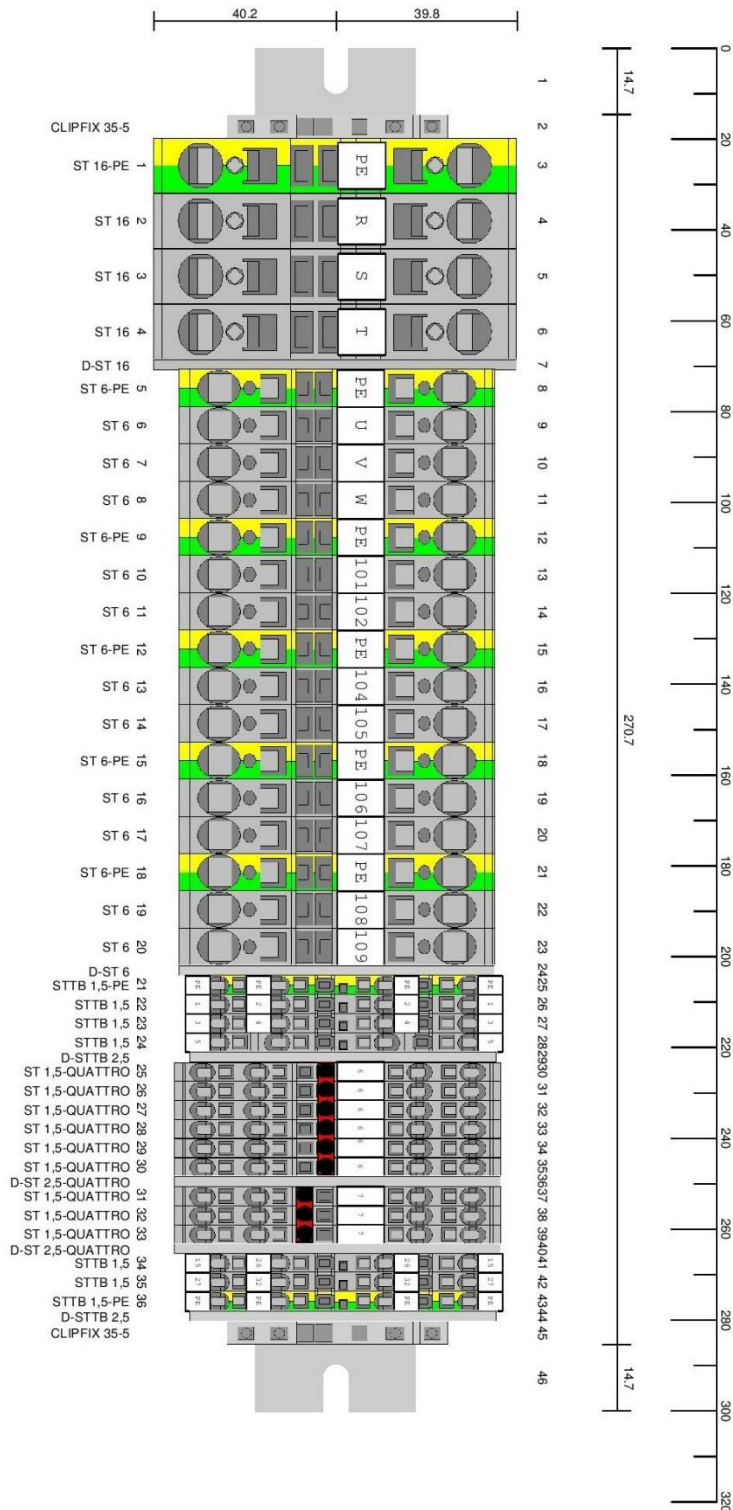


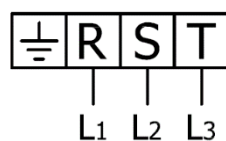
Figure 22. Distribution 3PE~400V 50/60Hz Standard Version



**Table 29. Electrical Schematic 3PE~400V 50/60Hz Standard Version, Parts List**

Item	Description	Reference	Qty
F 10	FUSIBLE POINT	EL-00104-13	1
F 10	FUSE	EL-00128-03	2
I 1	SWITCH	EL-00107-18	1
I 1	CONTROL RED YELLOW	EL-00107-19	1
T 1	TRANSFORMER 230-400/24 160 VA	EL-00127-02	1
D 1	DIFFERENTIAL SWITCH 0,03 63 A	EL-00108-04	1
F 2,3	CIRCUIT BREAKER	EL-00113-04	2
F 4	CIRCUIT BREAKER	EL-00112-04	1
F 1	CIRCUIT BREAKER	EL-00109-04	1
F 5	CIRCUIT BREAKER 6,3-10 A	EL-00119-04	1
F 5	AUXILIARY CONTACTOR	EL-00119-03	1
T 3	INTENSITY TRANSFORMER	EL-00127-03	1
V 1,2	STATIC RELAY	EL-00126-03	2
V 3	TRIAC	EL-00126-02	1
K 1	CONTACTOR	EL-00123-02	1
K 2	CONTACTOR	EL-00121-02	1
	RESISTENCE 3,3 K.Ω 6 W.	EL-00129-01	1
	MALE CONNECTOR 3 PINS	EL-00142-00	1
	RUBBER CAP		1
	SUPPORTS	EL-00106-01	2*
X 1	TERMIANL STRIP	EL-00105-06	1
	BEIGE TERMINAL 6mm	EL-00104-06	12*
	GROUND TERMINAL 6mm	EL-00104-08	5*
	TERMINAL BLOCK 2,5mm	EL-00104-12	2*
	BEIGE TERMINAL 2,5mm	EL-00104-09	4*
	GROUND TERMINAL 2,5mm	EL-00104-11	2*
	UNION PLATE	EL-00104-14	2*

(\*) *Alternative Material.*



3PE~400V 50/60Hz



**ELECTRICAL SCHEMATIC DIAGRAM 3PE~230V 60Hz**

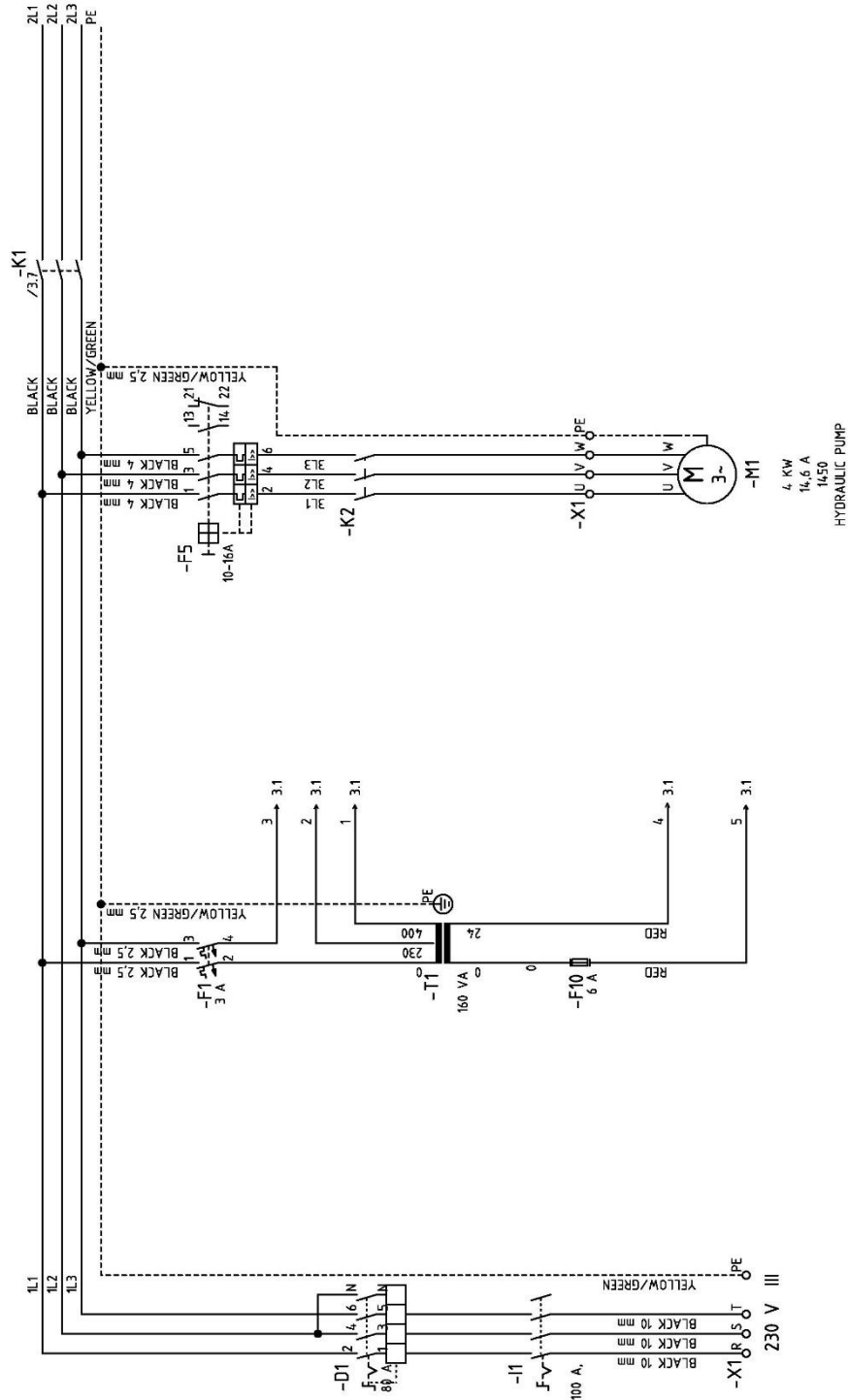


Figure 23. Elec. Schem. 3PE~230V 60Hz Standard Version (Sheet 1/7)

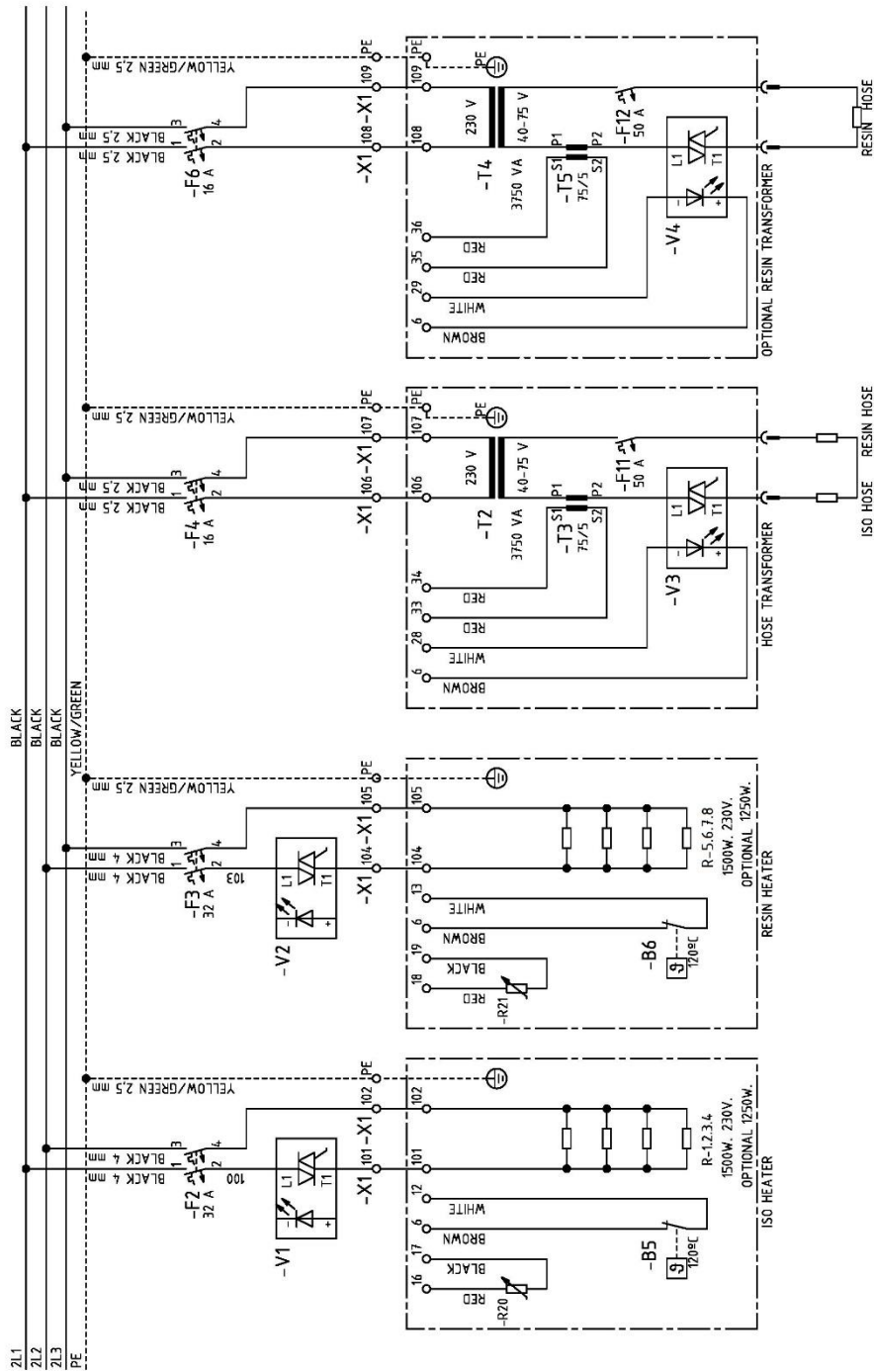


Figure 24. Elec. Schem. 3PE~230V 60Hz Standard Version (Sheet 2/7)

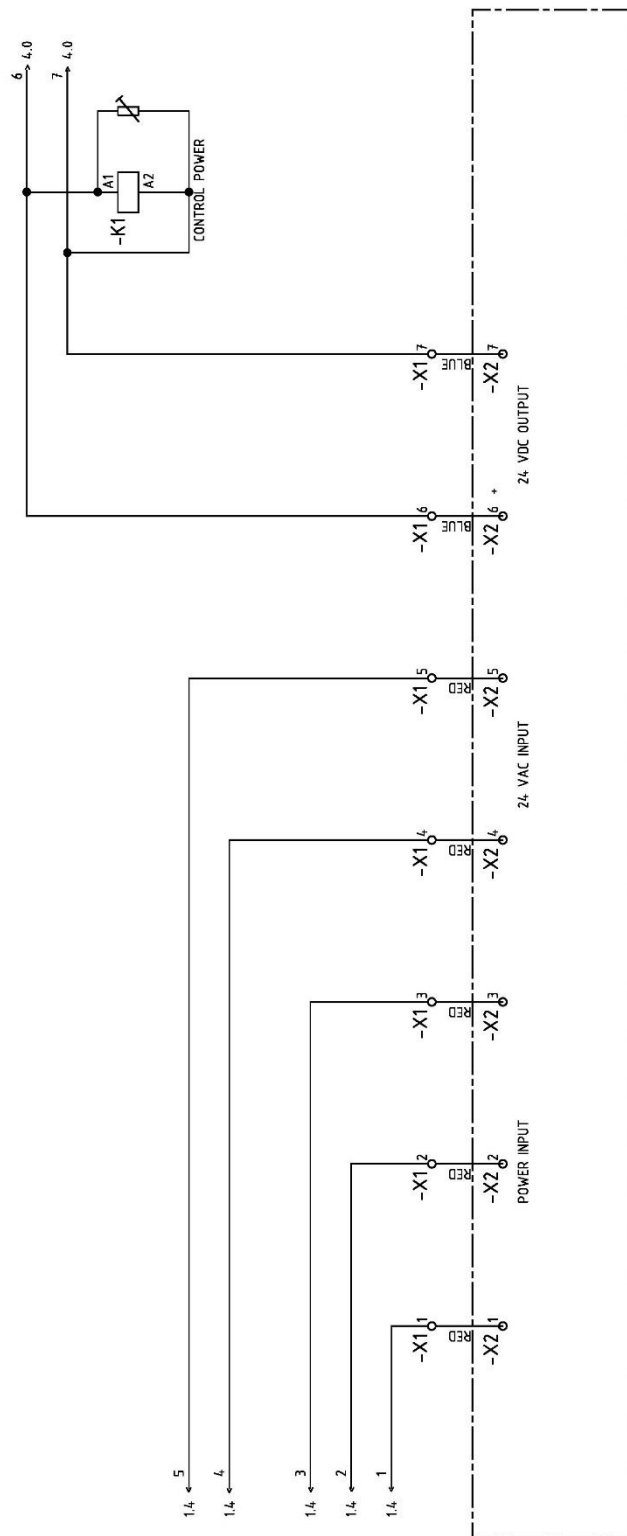


Figure 25. Elec. Schem. 3PE~230V 60Hz Standard Version (Sheet 3/7)

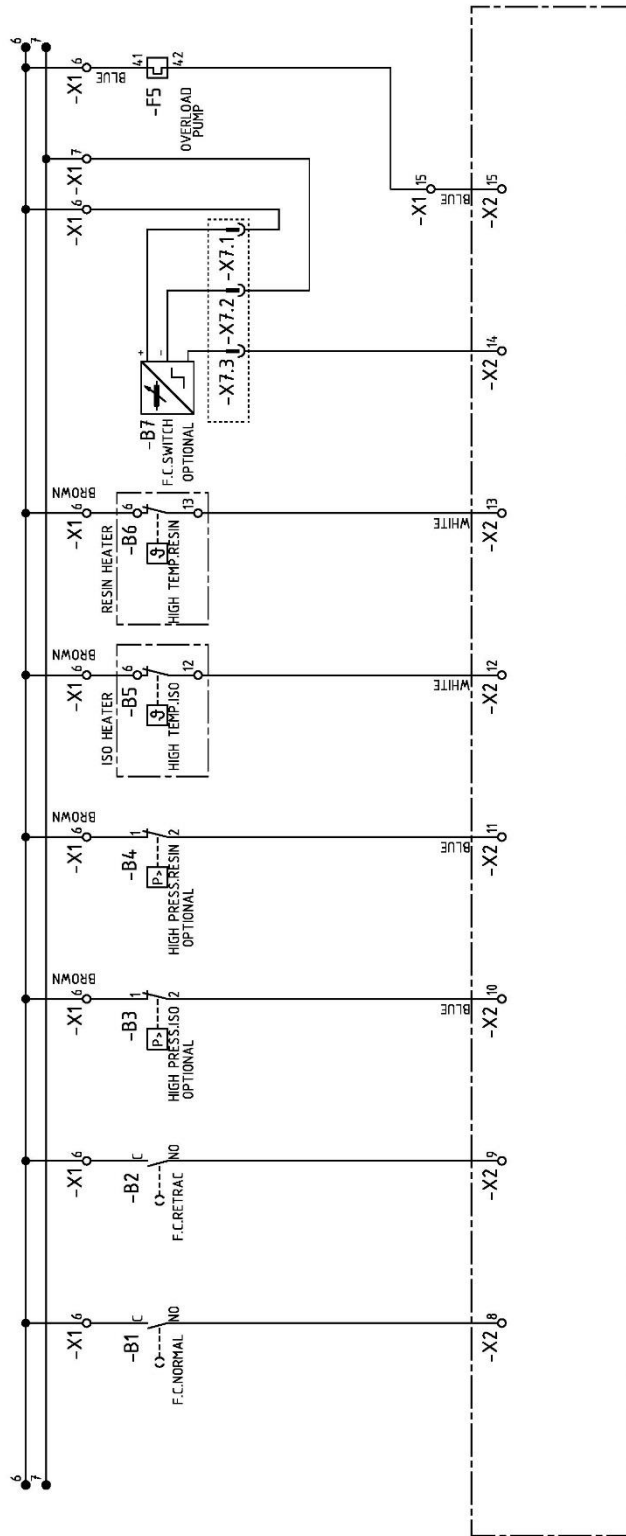


Figure 26. Elec. Schem. 3PE~230V 60Hz Standard Version (Sheet 4/7)

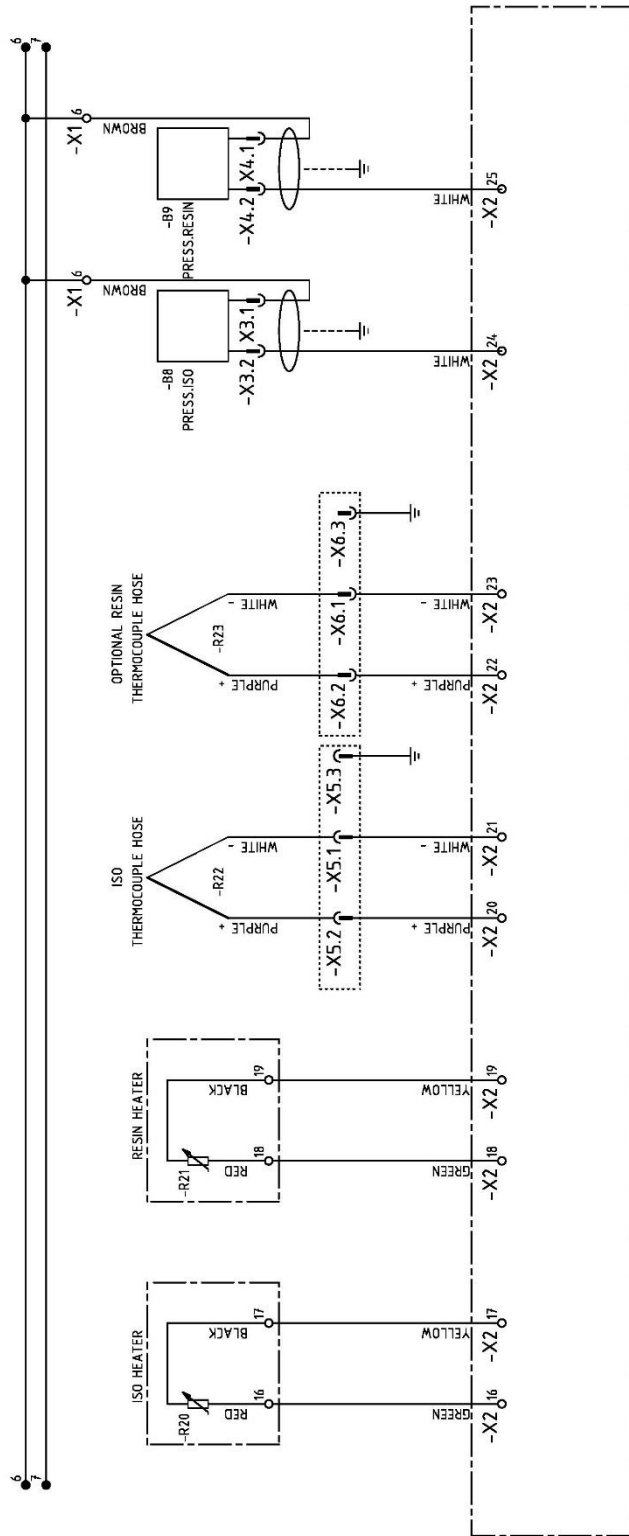


Figure 27. Elec. Schem. 3PE~230V 60Hz Standard Version (Sheet 5/7)

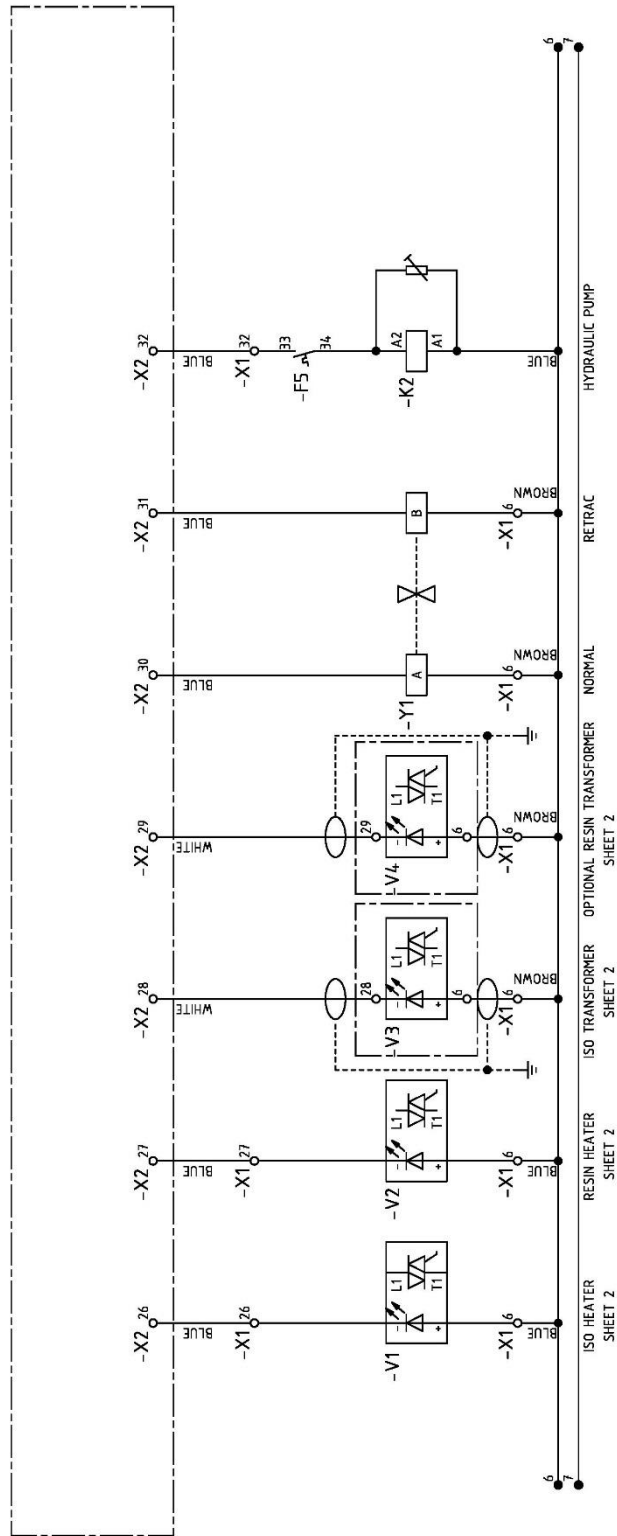


Figure 28. Elec. Schem. 3PE~230V 60Hz Standard Version (Sheet 6/7)



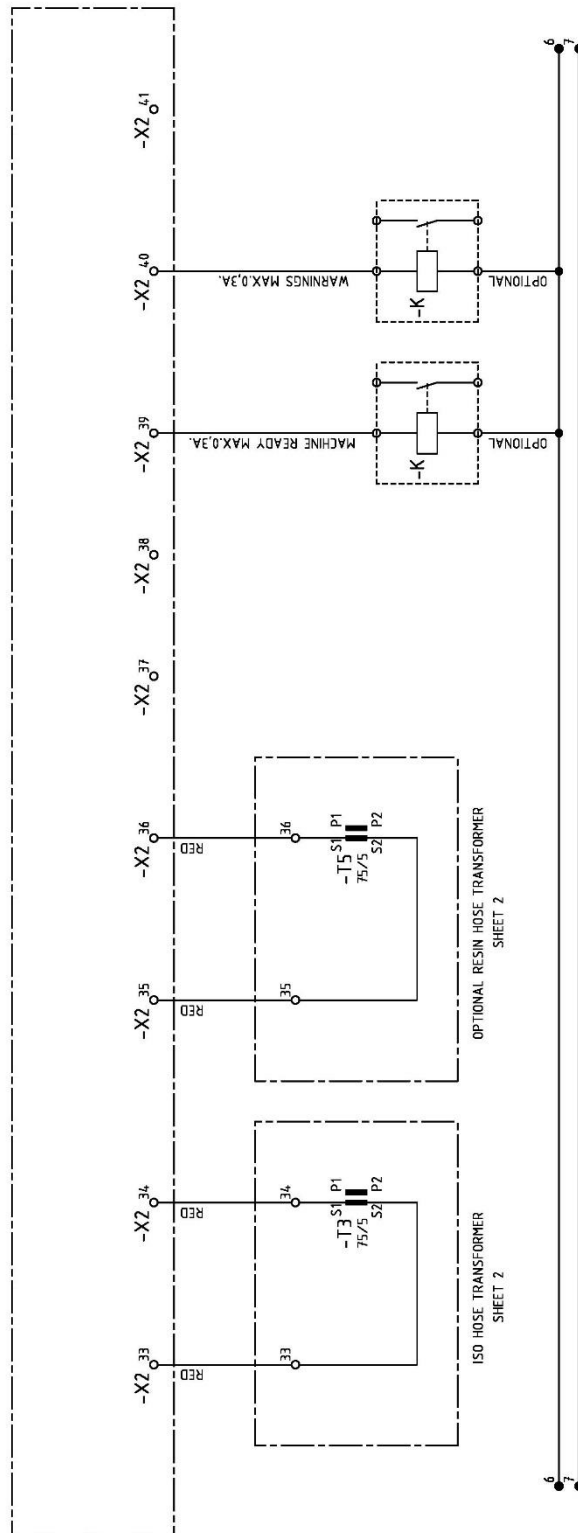


Figure 29. Elec. Schem. 3PE~230V 60Hz Standard Version (Sheet 7/7)

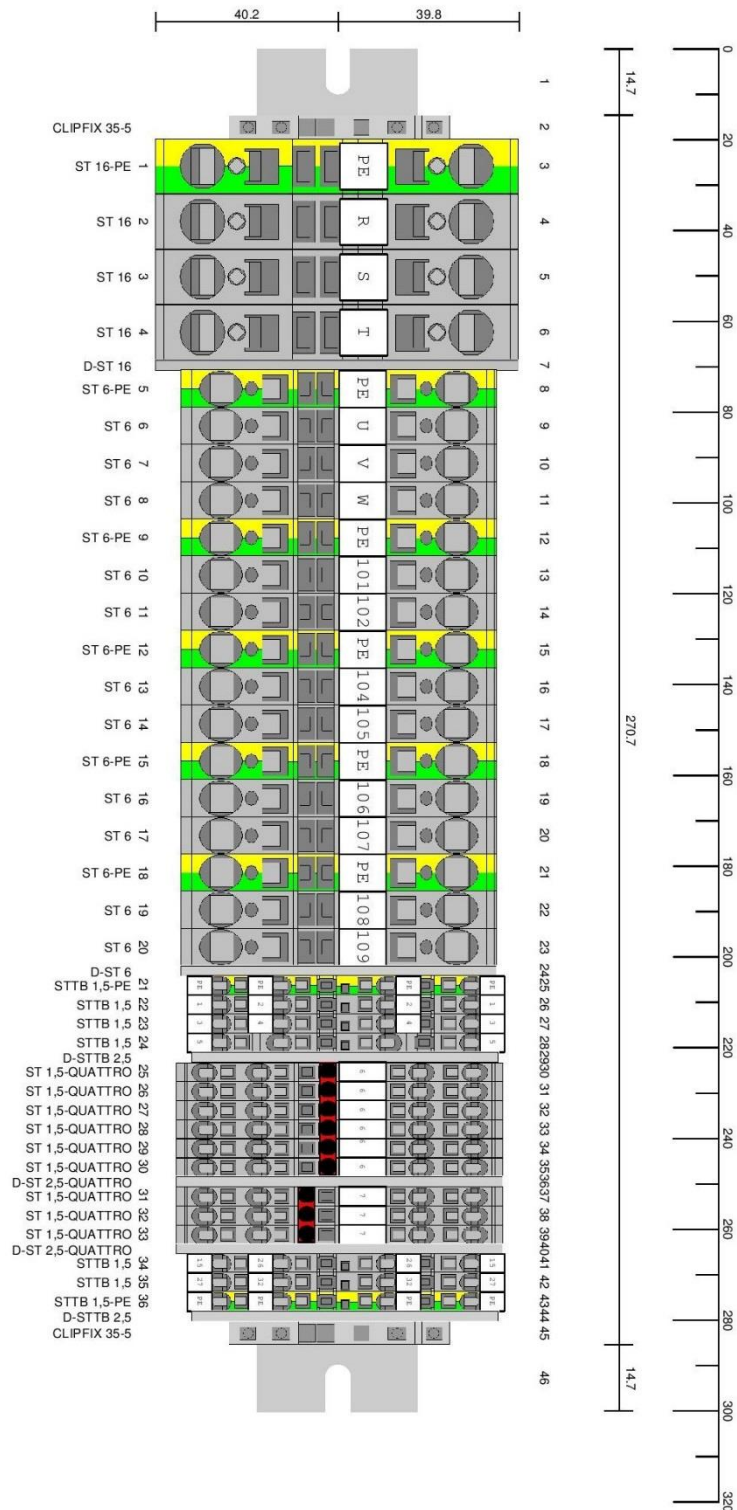


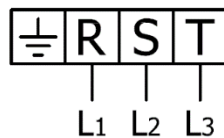
Figure 30. Distribution 3PE-230V 60Hz Standard Version



**Table 30. Electrical Schematic 3PE~230V 60Hz Standard Version, Parts List**

Item	Description	Reference	Qty
F 10	FUSIBLE POINT	EL-00104-13	1
F 10	FUSE	EL-00128-03	2
I 1	SWITCH	EL-00107-23	1
I 1	CONTROL RED YELLOW	EL-00107-19	1
T 1	TRANSFORMER 230-400/24 160 VA	EL-00127-02	1
D 1	DIFFERENTIAL SWITCH 0,03 63 A	EL-00108-04	1
F 2,3	CIRCUIT BREAKER	EL-00113-04	2
F 4	CIRCUIT BREAKER	EL-00112-04	1
F 1	CIRCUIT BREAKER	EL-00109-04	1
F 5	CIRCUIT BREAKER 10-16 A	EL-00119-05	1
F 5	AUXILIARY CONTACTOR	EL-00119-03	1
T 3	NTENSITY TRANSFORMER	EL-00127-03	1
V 1,2	STATIC RELAY	EL-00126-03	2
V 3	TRIAC	EL-00126-02	1
K 1	CONTACTOR	EL-00123-02	1
K 2	CONTACTOR	EL-00121-02	1
	RESISTENCE 3,3 K.Ω 6 W.	EL-00129-01	1
	MALE CONNECTOR 3 PINS	EL-00142-00	1
	RUBBER CAP		1
	SUPPORTS	EL-00106-01	2*
X 1	TERMINAL STRIP	EL-00105-06	1
	BEIGE TERMINAL 6mm	EL-00104-06	12*
	GROUND TERMINAL 6mm	EL-00104-08	5*
	TERMINAL BLOCK 2,5mm	EL-00104-12	2*
	BEIGE TERMINAL 2,5mm	EL-00104-09	4*
	GROUND TERMINAL 2,5mm	EL-00104-11	2*
	UNION PLATE	EL-00104-14	2*

(\*) *Alternative Material.*



3PE~230V 60Hz



## PNEUMATIC SCHEMATIC DIAGRAM

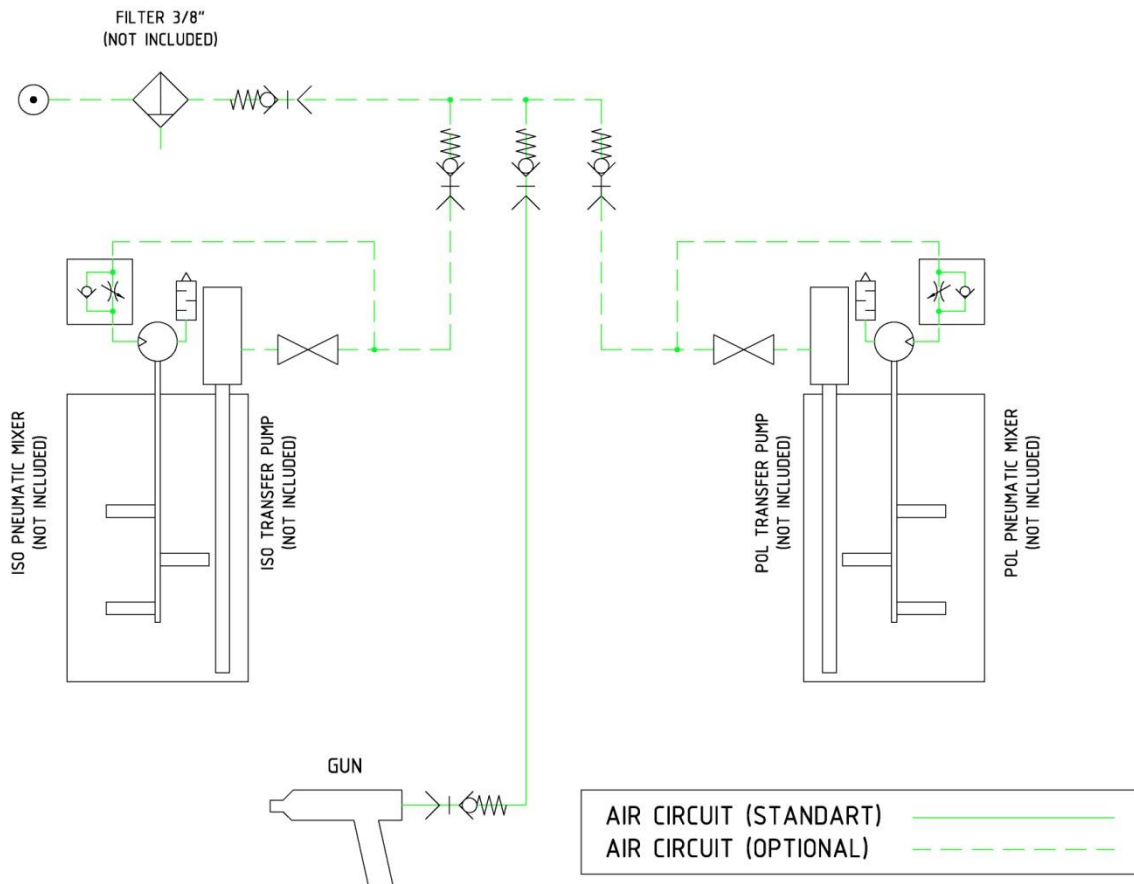


Figure 31. Pneumatic Schematic Diagram



## HYDRAULIC SCHEMATIC DIAGRAM

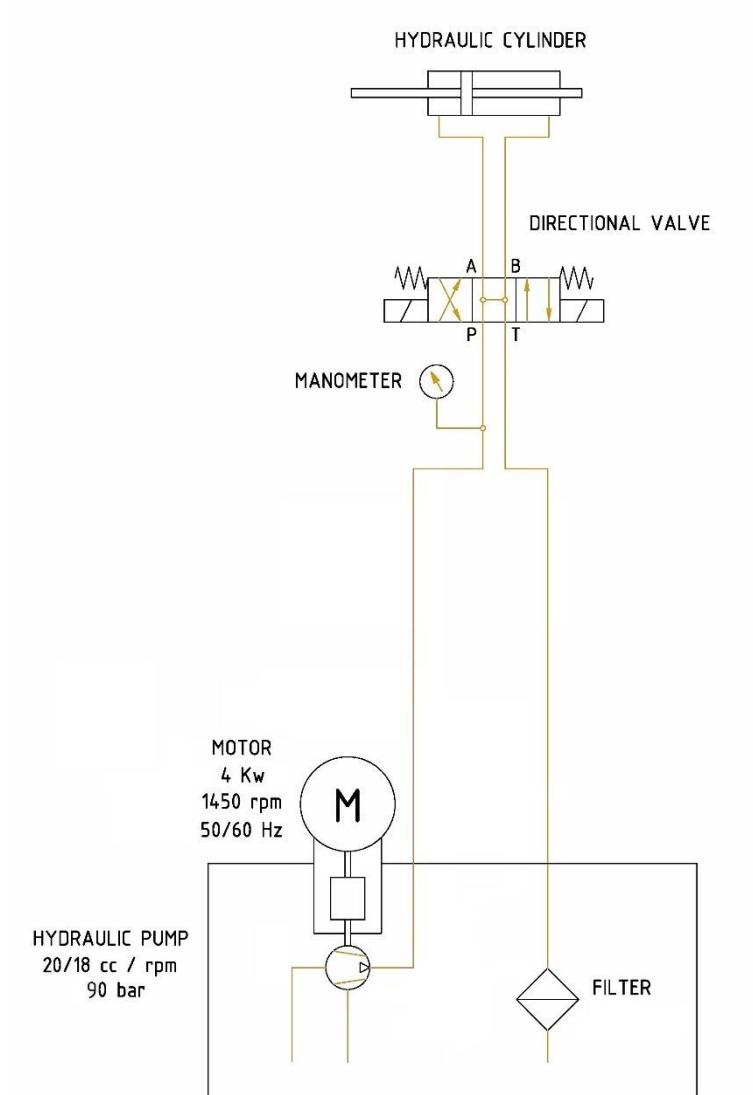


Figure 32. Hydraulic Schematic Diagram

## FUNCTIONING SCHEMATIC DIAGRAM

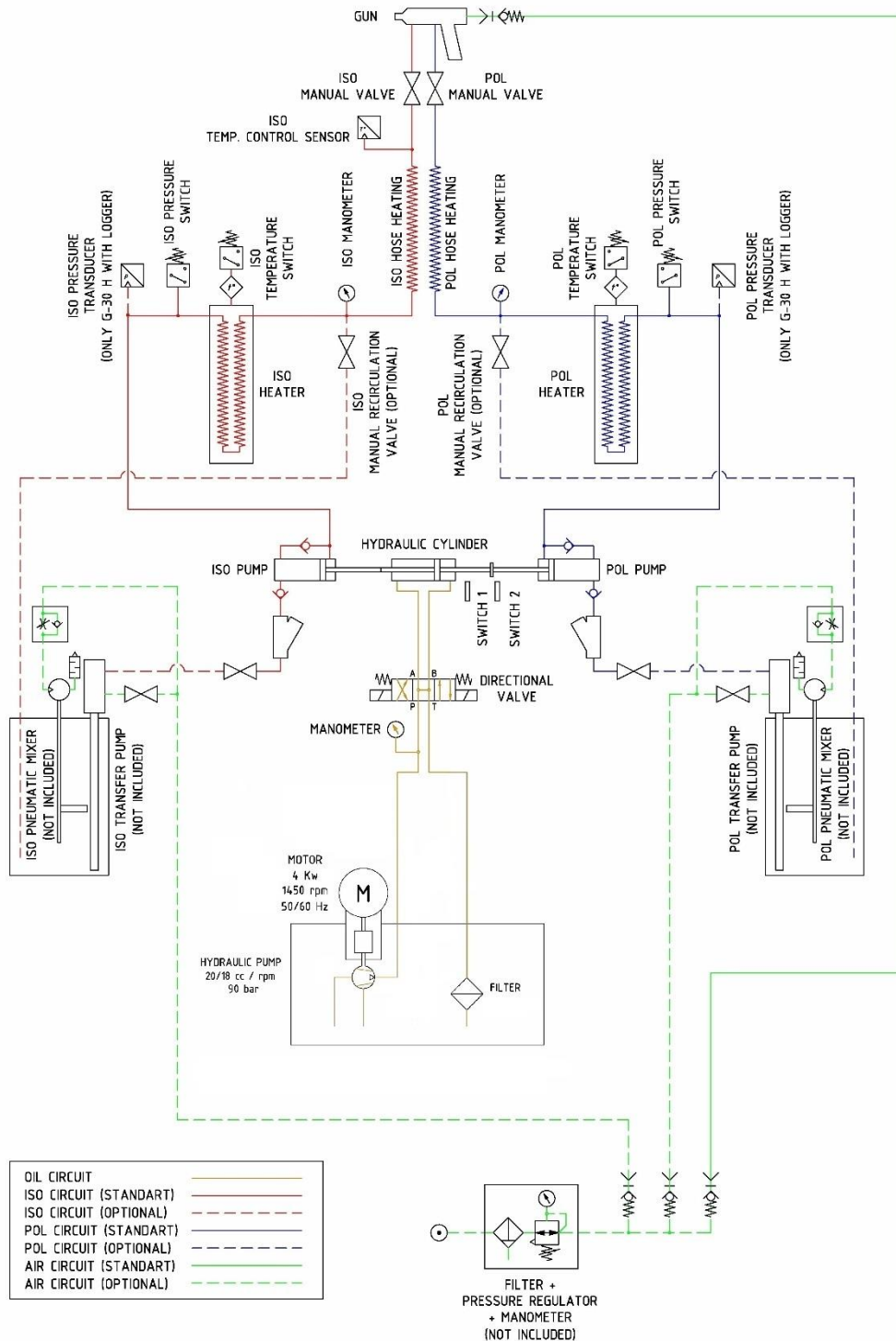


Figure 33. Functioning Schematic Diagram



## TABLE OF CONTENTS

Warranty _____	2
Safety and Handling _____	3
Proportioning Unit novaG - III Model _____	5
Electrical Console _____	8
Hydraulic Manifold with Motor 3PE~400V/230V 50/60hz (hyd. Pump 18 cc.) _____	11
Hydraulic Manifold with Motor 3PE~400V/230V 50/60hz (hyd. Pump 20 cc.) _____	12
Reversing Switch & Pump Line Support _____	16
Lube Reservoir Hose Assembly _____	18
Pump Line Assembly _____	20
Hydraulic Cylinder with Spacers _____	23
“A” Proportioning Pump Assembly _____	25
“R” Proportioning Pump Assembly _____	28
“A” Standard Primary Heater _____	31
“R” Standard Primary Heater _____	34
Recirculation Kit P#: KT-00038 _____	37
Recirculation Kit P#: KT-00038-01 _____	38
Recirculation Kit P#: KT-00038-03 _____	40
Electrical Schematic Diagram 3PE~400V 50/60hz _____	42
Electrical Schematic Diagram 3PE~230V 60hz _____	51
Pneumatic Schematic Diagram _____	60
Hydraulic Schematic Diagram _____	61
Functioning Schematic Diagram _____	62
Table of Contents _____	63
List of Tables _____	64
List of Illustrations _____	65



## LIST OF TABLES

Table 1. Proportioning Unit novaG – III Model, Parts List	6
Table 2. Hose Transformer Reference List	6
Table 3. A-Primary Heater Reference List	7
Table 4. R-Primary Heater Reference List	7
Table 5. Electrical Console Reference List	7
Table 6. Electrical Console novaG-III Model, Parts List	9
Table 7. Bezel Components Assembly	10
Table 8. Hydraulic Manifold with Motor 3PE~400V/230V 50/60Hz, Parts List	13
Table 9. Reversing Switch & Pump Line Support, Parts List	17
Table 10. Lube Reservoir Hose Assembly, Parts List	19
Table 11. Pump Line Assembly, Parts List	21
Table 12. Proportioning Pump Size, Parts	22
Table 13. Hydraulic Cylinder with Spacers, Parts List	24
Table 14. “A” Proportioning Pump Assembly, Parts List	26
Table 15. “A” Proportioning Pump Assembly, Parts List	27
Table 16. Seals Monobloc “A” Pump	27
Table 17. Repair Seal Kit “A” Pump	27
Table 18. “R” Proportioning Pump Assembly, Parts List	29
Table 19. “R” Proportioning Pump Assembly, Parts List	30
Table 20. Seals Monobloc “R” Pump	30
Table 21. Repair Seal Kit “R” Pump	30
Table 22. “A” Standard Primary Heater, Parts List	32
Table 23. “A” Heat Resistance & Press. Gauge Reference List	33
Table 24. “R” Standard Primary Heater, Parts List	35
Table 25. “R” Heat Resistance & Press. Gauge Reference List	36
Table 26. Standard Recirculation Kit, Parts List	37
Table 27. Recirculation Kit #KT-00038-01, Parts List	39
Table 28. Recirculation Kit #KT-00038-03, Parts List	41
Table 29. Electrical Schematic 3PE~400V 50/60Hz Standard Version, Parts List	50
Table 30. Electrical Schematic 3PE~230V 60Hz Standard Version, Parts List	59





## LIST OF ILLUSTRATIONS

Figure 1. Electrical Console novaG - III	8
Figure 2. Hydr. Manifold 3PE~400V/230V 50/60Hz (hyd. Pump 18 cc), Exploded View	11
Figure 3. Hydr. Manifold 3PE~400V/230V 50/60Hz (hyd. Pump 20 cc), Exploded View	12
Figure 4. Reversing Switch & Pump Line Support, Exploded View	16
Figure 5. Lube Reservoir Hose Assembly, Exploded View	18
Figure 6. Pump Line Assembly, Exploded View	20
Figure 7. Hydraulic Cylinder with Spacers, Exploded View	23
Figure 8. "A" Proportioning Pump Assembly, Exploded View	25
Figure 9. "R" Proportioning Pump Assembly, Exploded View	28
Figure 10. "A" Standard Primary Heater, Exploded View	31
Figure 11. "R" Standard Primary Heater, Exploded View	34
Figure 12. Recirculation Kit P#: KT-00038, Exploded View	37
Figure 13. Recirculation Kit P#: KT-00038-01, Exploded View	38
Figure 14. Recirculation Kit P#: KT-00038-03, Exploded View	40
Figure 15. Elec. Schem. 3PE~400V 50/60Hz Standard Version (Sheet 1/7)	42
Figure 16. Elec. Schem. 3PE~400V 50/60Hz Standard Version (Sheet 2/7)	43
Figure 17. Elec. Schem. 3PE~400V 50/60Hz Standard Version (Sheet 3/7)	44
Figure 18. Elec. Schem. 3PE~400V 50/60Hz Standard Version (Sheet 4/7)	45
Figure 19. Elec. Schem. 3PE~400V 50/60Hz Standard Version (Sheet 5/7)	46
Figure 20. Elec. Schem. 3PE~400V 50/60Hz Standard Version (Sheet 6/7)	47
Figure 21. Elec. Schem. 3PE~400V 50/60Hz Standard Version (Sheet 7/7)	48
Figure 22. Distribution 3PE~400V 50/60Hz Standard Version	49
Figure 23. Elec. Schem. 3PE~230V 60Hz Standard Version (Sheet 1/7)	51
Figure 24. Elec. Schem. 3PE~230V 60Hz Standard Version (Sheet 2/7)	52
Figure 25. Elec. Schem. 3PE~230V 60Hz Standard Version (Sheet 3/7)	53
Figure 26. Elec. Schem. 3PE~230V 60Hz Standard Version (Sheet 4/7)	54
Figure 27. Elec. Schem. 3PE~230V 60Hz Standard Version (Sheet 5/7)	55
Figure 28. Elec. Schem. 3PE~230V 60Hz Standard Version (Sheet 6/7)	56
Figure 29. Elec. Schem. 3PE~230V 60Hz Standard Version (Sheet 7/7)	57
Figure 30. Distribution 3PE~230V 60Hz Standard Version	58
Figure 31. Pneumatic Schematic Diagram	60
Figure 32. Hydraulic Schematic Diagram	61
Figure 33. Functioning Schematic Diagram	62