



# Parts Manual

## Proportioning Unit

novaG-I

Issue 2.0 12/11/2025  
Ref. NR-00030-ENG



***Before installing the unit and starting it up, carefully read all the technical and safety documentation included in this manual. Pay special attention to the information to know and understand the handling and the conditions of use of the unit. All of the information is aimed at enhancing User Safety and avoiding possible breakdowns derived from the incorrect use of the unit.***



## WARRANTY

HI-TECH SPRAY EQUIPMENT, S. A. (hereinafter "HI-TECH") grants this Limited Guarantee to the original buyer (hereinafter the "Client") for the unit and the original accessories given with the unit (hereinafter the "Product") against any fault in the design, materials or manufacture of the Product at the time of the first purchase by the user and for a duration of two (2) years thereafter, except in the case of hoses and TSU's, which will have a warranty period of one (1) year. Additionally, for any other product manufactured by external suppliers, the warranty period will be as specified by the manufacturer.

If during the guarantee period and under normal conditions of use, the Product should fail to work correctly due to defects of design, material or manufacture, the authorised distributor of the country where the HI-TECH Product or technical assistance service has been purchased shall repair or replace the Product in accordance with what is established in the following:

### CONDITIONS

- a) The validity of this guarantee will be subject to the presentation of the original invoice issued by the HI-TECH authorised distributor for the sale of the Product along with the Product handed over for repair or replacement, which must show the date of purchase and the serial number. HI-TECH reserves the right to refuse to give the guarantee service when the indicated data fail to appear on the invoice or have been modified after the purchase of the Product.
- b) The repaired or replaced Product will continue to maintain the original guarantee for the time remaining until the end of the guarantee or for three (3) months from the repair date, if the remaining period of the original guarantee were shorter.
- c) This guarantee will not be applied to the faults in the Product caused by its faulty installation, the natural wear and tear of the components, any use other than that considered normal for this Product or which should fail to strictly comply with the instructions of use provided by HI-TECH; due to accident, carelessness, adjustments, alterations or modifications of the Product not authorised by HI-TECH or due to the use of accessories, heating devices, pumping equipment and/or dispensers that have not been approved or manufactured by HI-TECH.
- d) The guarantee applicable to the components and accessories forming part of the Product and which have not been made by HI-TECH will be limited to the guarantee offered by the original manufacturer thereof.

**HI-TECH WILL NOT RECOGNISE ANY EXPRESS ORAL OR WRITTEN GUARANTEES OTHER THAN THIS PRINTED LIMITED GUARANTEE. ALL IMPLICIT GUARANTEES, INCLUDING, WITHOUT LIMIT, ADAPTATION FOR A SPECIFIC USE, ARE SUBJECT TO THE DURATION OF THIS WRITTEN GUARANTEE. HI-TECH DOES NOT ASSUME ANY KIND OF COMMITMENT OR RESPONSIBILITY FOR ALL POSSIBLE DAMAGE OR EXPENSE CAUSED BY FAULTS IN THE OUTPUT OF THE PRODUCT, ITS WORKING OR THE DISPENSING OF MATERIAL THROUGH THE PRODUCT, INCLUDING, WITHOUT LIMITATION, ALL EXPENSES CAUSED BY DAMAGE TO PEOPLE OR PROPERTY. EQUALLY, HI-TECH WILL IN NO CASE ACCEPT LIABILITY FOR THE LOSS OF SPECULATIVE PROFITS OR COMMERCIAL LOSSES. ALL REPAIRS OR REPLACEMENT OF FAULTY PRODUCTS WILL CONSTITUTE THE COMPREHENSIVE FULFILMENT OF HI-TECH'S OBLIGATIONS WITH RESPECT TO THE CLIENT. HI-TECH DOES NOT IN ANY WAY GUARANTEE THE SUITABILITY OR APTITUDE OF ITS PRODUCT FOR ANY PARTICULAR PURPOSE OR APPLICATION.**

All information provided on components which have not been manufactured by HI-TECH and which is based on reports received from the original manufacturer, though considered precise and reliable, is provided without any guarantee or responsibility of any explicit or implicit kind.

All concession, sale or financial leasing of the Product by HI-TECH in no case explicitly or implicitly constitutes any authorisation, acceptance or concession for the use of any rights or patents, nor does it encourage, nurture or back their infringement.

The restrictions on the guarantee suppose no limitation on the legal rights of the consumer established in applicable national legislation, nor do they affect any rights derived from the bargain and sale agreement between the consumer and supplier.



All information provided in this manual has been included in the confidence that it is true, although it does not constitute any responsibility or implicit or explicit guarantee. HI-TECH reserves the right at any time and without prior warning to make all improvements and modifications necessary to this manual, in order to rectify any possible typographical errors, increase the information contained or insert the changes caused to the characteristics and performance of the unit.

## SAFETY AND HANDLING

The equipment described in this manual has been designed and manufactured in compliance with the following European Directives, following as application guide the harmonized standards detailed and in conformity with the relevant UK Statutory Instruments (and their amendments):

**2006/42/EC Machinery Directive**

**2014/35/EU Low Voltage Directive**

**2014/30/EU EMC Directive**

**2011/65/EU RoHS Directive with amendment 2015/863**

**2012/19/EU Directive on waste electrical and electronic equipment**

Standards used:

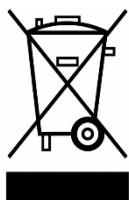
EN ISO 12100:2010

EN 60204-1:2018

EN IEC 61000-6-4:2019

EN IEC 61000-6-2:2019

EN IEC 63000:2018



recycling sectors.

Electrical products cannot be thrown out with the rubbish. They must be taken to a dedicated collection point for an environmentally sound disposal in accordance with local regulations. You must contact your local collective or retailer for information about recycling. Before leaving WEEE at appropriate collection facilities, batteries must be removed and disposed of separately for proper recycling. The packaging materials are recyclable. Dispose of packaging materials in an environmentally sound manner and place them at the disposal of

### TRANSPORT AND STORAGE

Proper precautions must be taken so that the equipment can withstand the effects of transport and storage temperatures between  $-25^{\circ}\text{C}$  and  $+55^{\circ}\text{C}$  or up to  $+70^{\circ}\text{C}$  for short periods that do not exceed 24 hours. Also, appropriate means to prevent damage from moisture, vibrations or shocks must be foreseen.



## SPRAY UNIT MODEL novaG - I

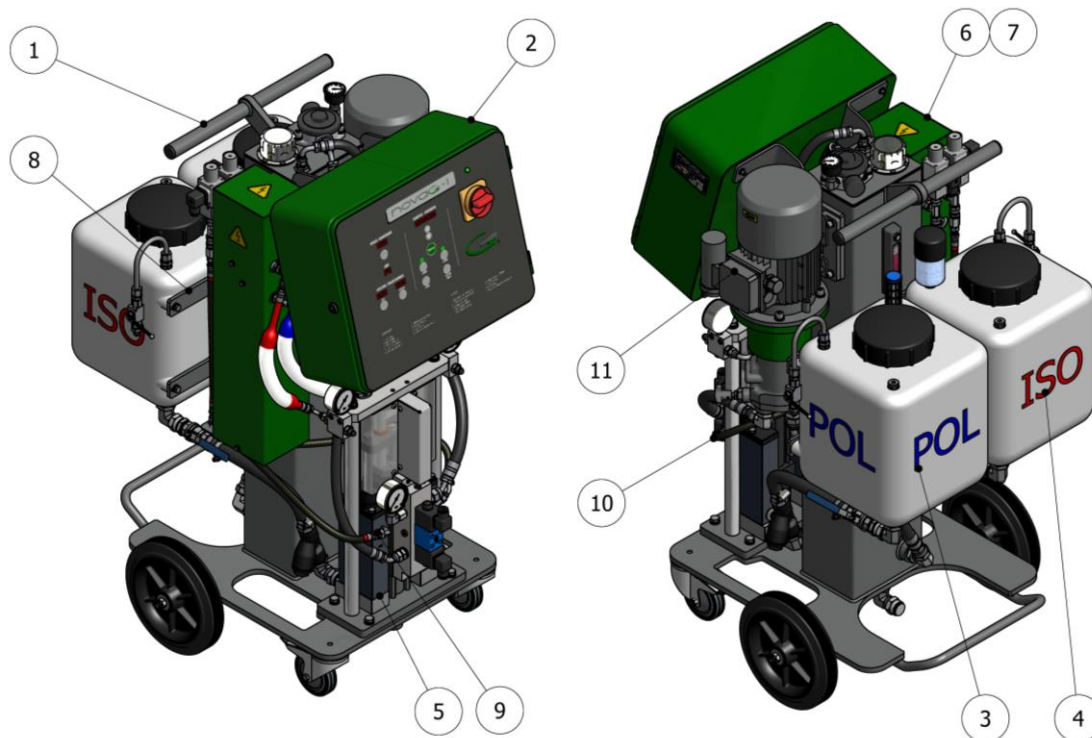


Figure 1. Spray unit model novaG - I

Table 1. Spray unit parts list  
Model novaG - I

Pos.	Description	Reference	Qty
1	Frame assembly	MQ-20001-00	1
2	Electrical console assembly	See Table 3	1
3	POL tank assembly	MQ-06012-00	1
4	ISO tank assembly	MQ-06013-00	1
5	Pump assembly	See Sheet 14	1
6	ISO heater assembly	See Table 4	1
7	POL heater assembly		
8	Tank mounting arms	NMQ-18026	1
9	ISO pump-heater hose	MA-00196	1
10	POL pump-heater hose	MA-00195	1
11	Hydraulic motor and pump assembly	See Sheet 8	1



**Table 2. Basic configurations**

Reference	Description
NI-452R15	novaG - I single-phase 230V – Hoses with recirculation gun
NI-452H15	novaG - I single-phase 230V – Heated hoses 1.5kW
	novaG - I single-phase 230V – Additional Transformer 1.6kW

*The version with additional transformer is like the version with recirculation hoses, changing these for heated ones and adding the trolley with the independent transformer for lengths up to 48 m (see page 29).*

*On version with a 230V heated hose, the temperature and intensity are controlled from the machine itself, the version with an additional independent transformer, the temperature of the hoses is controlled by the intensity assigned from the transformer.*

**Table 3. List of references for electrical console**

Reference	Description
NEL-00231	Electrical console assy. (single-phase 230V) Gun recirculation Version 1
NEL-00234	Electrical console assy. (single-phase 230V) Heated 20 m hose Version 2
EL-00231	Electrical console assy. (single-phase 230V) Additional Transformer Version 3

**Table 4. List of References ISO & POL Heater**

Reference	Description
NCL-05000-00B	ISO 1800W + POL 1800W @ 230V Heater assy (see page 22)

## ELECTRICAL CONSOLE

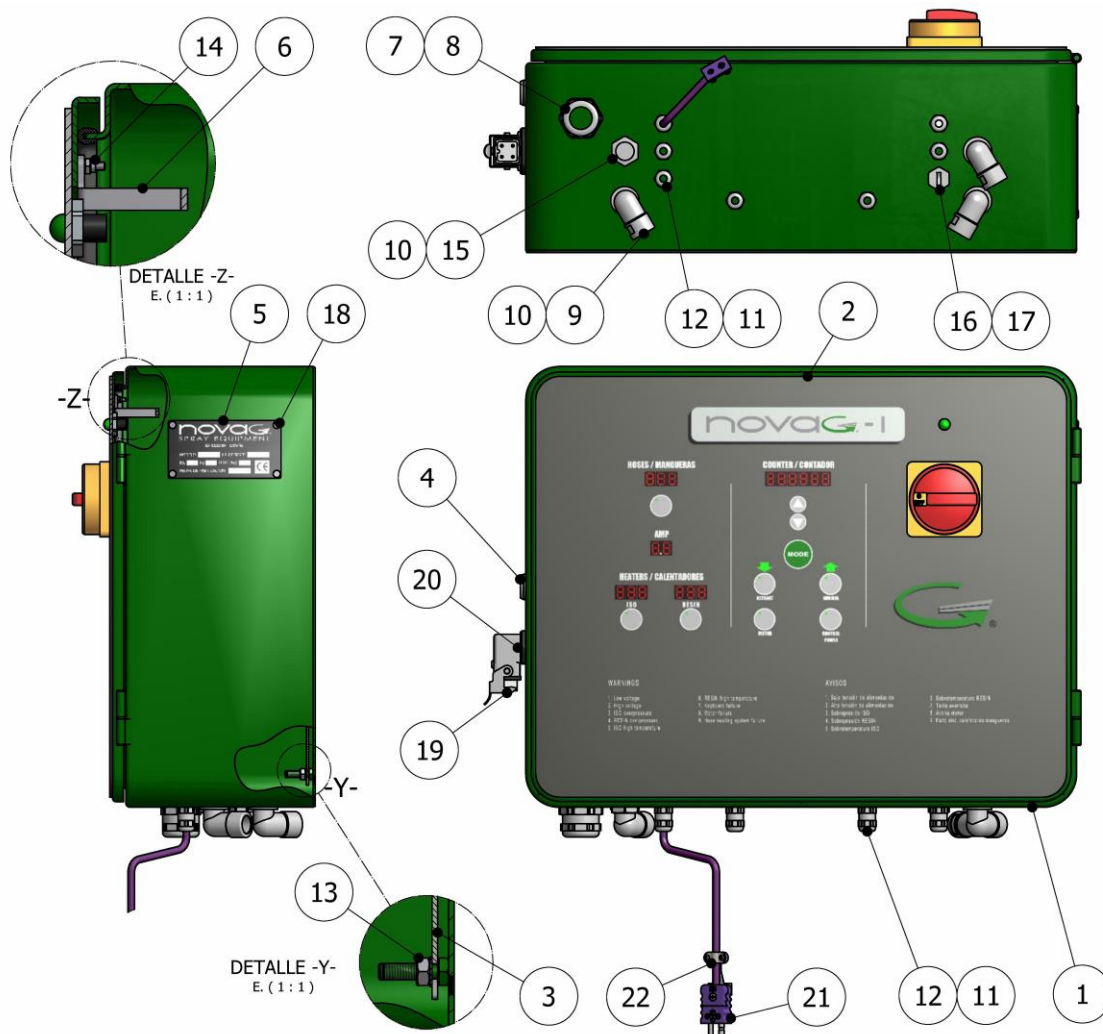


Figure 2. Electrical console for novaG - I

Table 5. List of parts for electrical console for novaG - I

Pos.	Description	Reference	Qty
1	Soldered cabinet assembly	See Table 6	1
2	Lower cabinet cover	See Table 7	1
3	Cabinet back plate	EL-00253-02	1
4	Cabinet lock assy.	EL-00034	1
5	Identification Plate	MQ-01010	1
6	Inner reinforce	EL-00145	1

Cont. overleaf.



/ cont.

Pos.	Description	Reference	Qty
7	Brass nut	EL-00090-03	1
8	Cable gland	EL-00088-01	1
9	Cable gland	EL-00087-01	3
10	Brass nut	EL-00090-01	4
11	Brass nut	EL-00090-00	7
12	Cable gland	EL-00088-00	7
13	Hex nut	TN-00108	4
14	Hex nut	TN-00182	10
15	Plug	EL-00183	1
16	Plug	EL-00088-06	1
17	Nut	EL-00090-06	1
18	Blind rivet	TN-00240	4
19	Female connector assembly (*)	EL-00096-04/05	1
20	Screw (*)	TN-00421	2
21	TCS Male Connector(*)	EL-00096-84	1
22	Cable ties (*)	EL-00096-86	1

Note: (\*) Parts valid only for the 230V heated hose option.

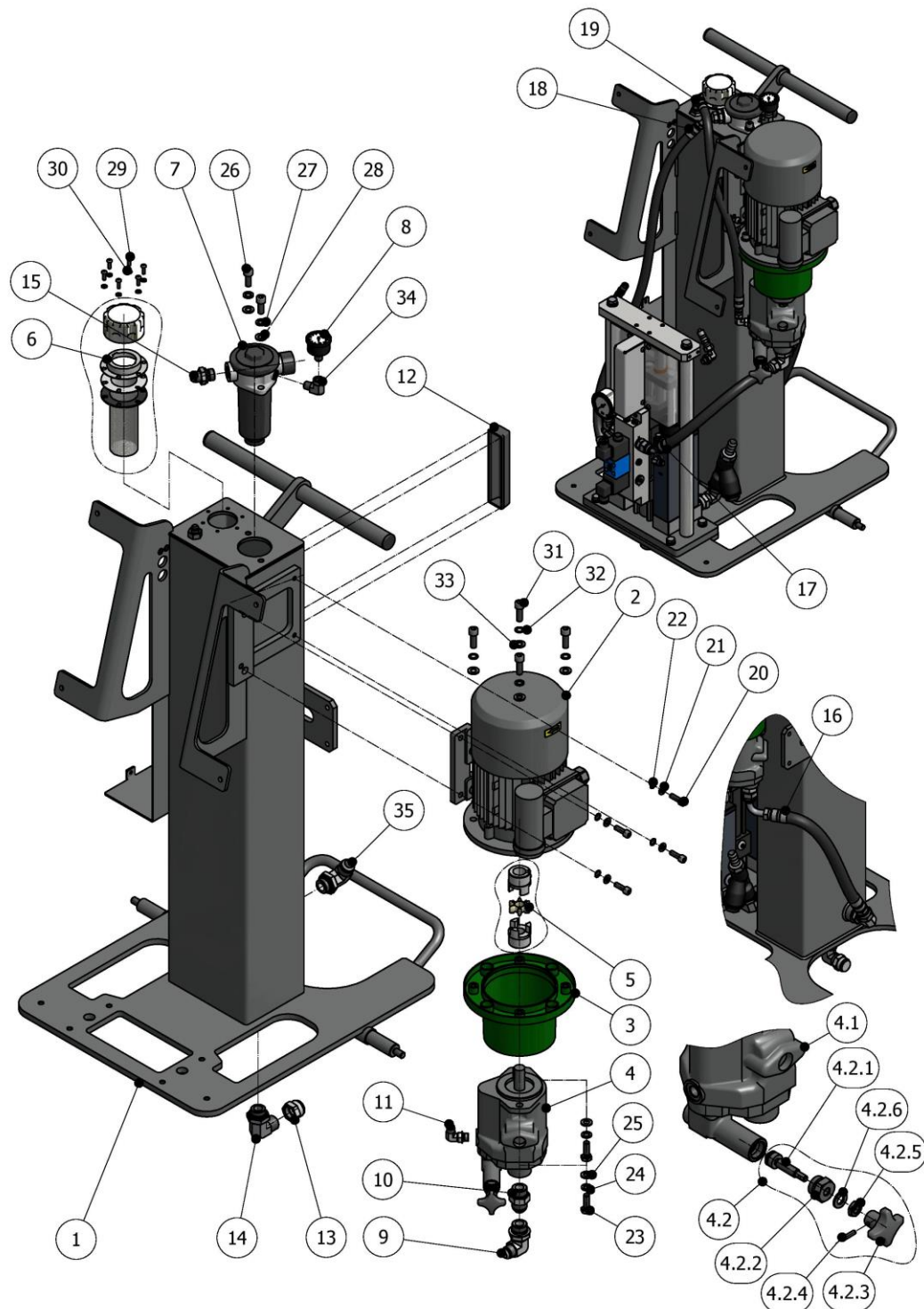
**Table 6. List of cabinet variants**

	(version 1) novaG - I Hoses with recirculation	(version 2) novaG - I 15 m heated hoses 230V
Soldered cabinet assembly	EL-00253	EL-00253C

**Table 7. List of parts for Face panel assembly**

	NOVAG face panel (standard)
Face panel 1x	EL-00271
Circuit 1x	EL-00015-05
Switch 1x + 1x	EL-00107-18 + EL-00107-21
Command Switch 1x	EL-00107-19
Spacer 9x	EL-00019-03

## HYDRAULIC DRIVE WITH SINGLE-PHASE MOTOR 230V 50/60HZ



**Figure 3. Single-phase hydraulic drive 230V 50/60Hz (with VK pump)**



**Table 8. List of parts for Hydraulic Drive with Single-Phase Motor 230V 50/60Hz**

Pos.	Description	Reference	Qty
1	Frame assembly with hydraulic tank	MQ-20001-00	1
2	230V single-phase electric motor	See Table 9	1
3	Hood	NHI-00181	1
4	10cc VK pump Assy. with Limiter	NHI-00130-NI	1
4.1	10 cc VK pump	NHI-00130	1 (°)
4.2	Limiter Assy. VK Pump	HI-00044-00	1 (°)
4.2.1	VK Knob	HI-00042	1 (@)
	O-Ring	OR-00025	1 (*)
4.2.2	Knob Nut VK Pump	HI-00043	1 (@)
4.2.3	Knob VK Pump	HI-00044	1 (@)
4.2.4	Pin VK Pump	TN-00042	1 (@)
4.2.5	Lock Nut VK Pump	TN-00105	1 (@)
4.2.6	Washer VK Pump	TN-00162	1 (@)
5	Spidex elastic coupler	HI-00125	1
6	Fill cap assembly	HI-00002	1
7	Return filter assembly	HI-00123-00	1
8	Pressure gauge (included in POS 7)	HI-00123-03	1
9	Elbow coupler 90°	RA-00433	1
10	Nipple	RA-00537	1
11	Elbow 90°	RA-00177	1
12	Thermometer	HI-00001	1
13	Drain cap	RA-00538	1
14	Elbow 90°	RA-00072	1
15	Nipple	RA-00316	1
16	Intake hose	HI-00182	1
17	Pressure hose	HI-00184	1

(\*) Parts included in Pos 4.1. (@) Parts included in Pos.4.2

(°) Parts included in Pos 4

Cont. overleaf.



/ cont.

Pos.	Description	Reference	Qty
18	Return hose	HI-00185	1
19	Drain hose	HI-00183	1
20	Hex screw	TN-00027	4
21	AET washer	TN-00028	4
22	Flat washer	TN-00119	4
23	Hex screw	TN-00129	2
24	Glomer washer	TN-00087	2
25	Flat washer	TN-00162	2
26	Allen Screw	TN-00189	2
27	Glomer washer	TN-00087	2
28	Flat washer	TN-00162	2
29	ULS screw	TN-00417	6
30	Glomer washer	TN-00109	6
31	Allen screw	TN-00189	4
32	AET washer	TN-00145	4
33	Flat washer	TN-00162	4
34	Elbow 90° (OPTIONAL)	RA-00416	1
35	Elbow 90°	RA-00314	1

**Table 9. List of Motor variants according to frequency**

Description	Reference
single-phase electric motor 230 v – 1,8 kW – 1380 rpm - 50 Hz	NEL-00229
single-phase electric motor 230 v – 1,8 kW – 1660 rpm - 60 Hz	NEL-00275



## FRAMEWORK COMPONENTS

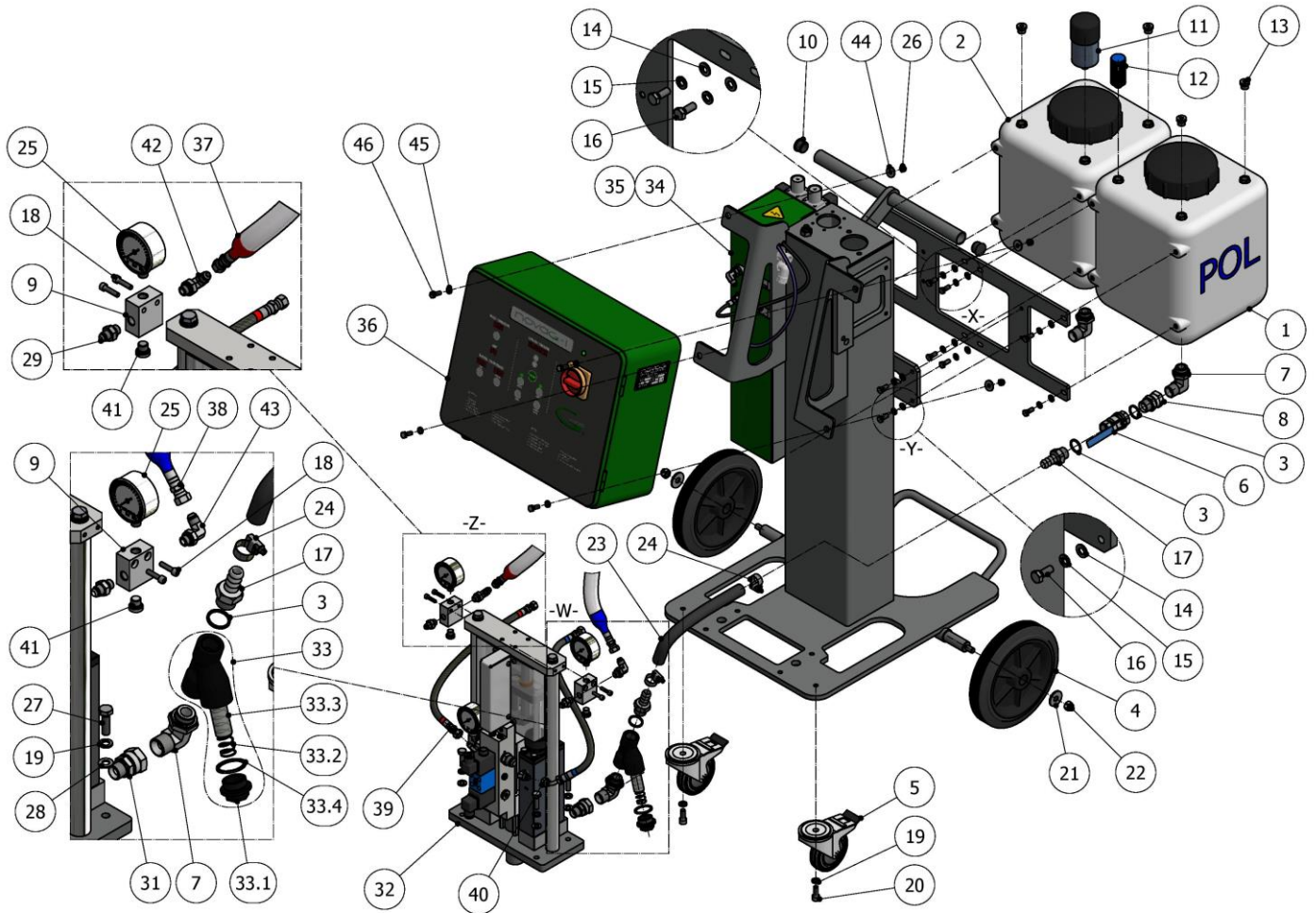


Figure 4. Framework components



**Table 10. List of framework components**

Pos.	Description	Reference	Qty.
1	POL Tank Assy	MQ-06012-00	1
2	ISO Tank Assy	MQ-06013-00	1
3	Metal Ring	OR-00082	6
4	Wheel	MQ-08112	2
5	Swivel Wheel with Brake	MQ-06021	2
6	Ball Valve	RA-00078	2
7	Elbow 90°	RA-00072	4
8	Swivel Nut	RA-00073	2
9	Manifold	MQ-20009	2
10	Handlebar Plug	MQ-06017-03	2
11	Filter	NE-00045	1 (*)
12	Muffler	NE-00056	1 (#)
13	Plug	RA-00049	2 (*) 2 (#)
14	Flat Washer	TN-00119	12
15	Glomer Washer	TN-00028	12
16	Hex. Screw	TN-00187	12
17	Spike Nipple	RA-00219	4
18	Allen Screw	TN-00169	4
19	Glomer Washer	TN-00087	6
20	Allen Screw	TN-00189	2
21	Washer	TN-00271	2
22	Lock Nut	TN-00030	2
23	Hydraulic Hose 3/4	MA-00058	1 m
24	Mikalor Clamp	TN-00364	4
25	Pressure Gauche	NHI-00019	2
26	Nut	TN-00283	4

*(\*) Items included in ISO Tank Assy Ref. 2*

*(#) Items included in POL Tank Assy Ref. 1.*

*Ref. Tank only with Cover; MQ-06012-01 (common for ISO & POL).*

*Cont. overleaf.*



/ cont.

Pos.	Description	Reference	Qty.
27	Hex Screw	TN-00163	4
28	Flat Washer	TN-00162	4
29	Union	RA-00144	1
30	Union	RA-00145	1
31	Reduction Lock Nut	RA-00141	2
32	Pump Assy	See pg. 14	1
33	30 Mesh Filter Assy	RA-00074-00-30	2
33.1	Filter Plug (included in Pos.33)	RA-00074-01	1 (@)
33.2	Filter Spring (included in Pos.33)	SP-00017	1 (@)
33.3	30 Mesh Filter (included in Pos.33)	RA-00074-03-30	1 (@)
33.4	Filter Seal (included in Pos.33)	OR-00061	1 (@)
34	ISO Heater Assy	See pg. 22	1
35	POL Heater Assy		
36	Electrical Console Assy	See pg. 6	1
37	Insulated Hose ISO	MA-00199	1
38	Insulated Hose POL	MA-00200	1
39	ISO Hose (Pump to Heater)	MA-00196	1
40	POL Hose (Pump to Heater)	MA-00195	1
41	Plug	RA-00013	2
42	Elbow 90°	RA-00051	1
43	Elbow 90°	RA-00050	1
44	Wide Washer	TN-00456	4
45	Glomer Washer	TN-00028	4
46	Hex. Cap Screw	TN-00418	4

**(@) Parts included in Filter Assy Pos. 33. Quantities for each filter.**

## PROPORTIONING PUMP ASSEMBLY

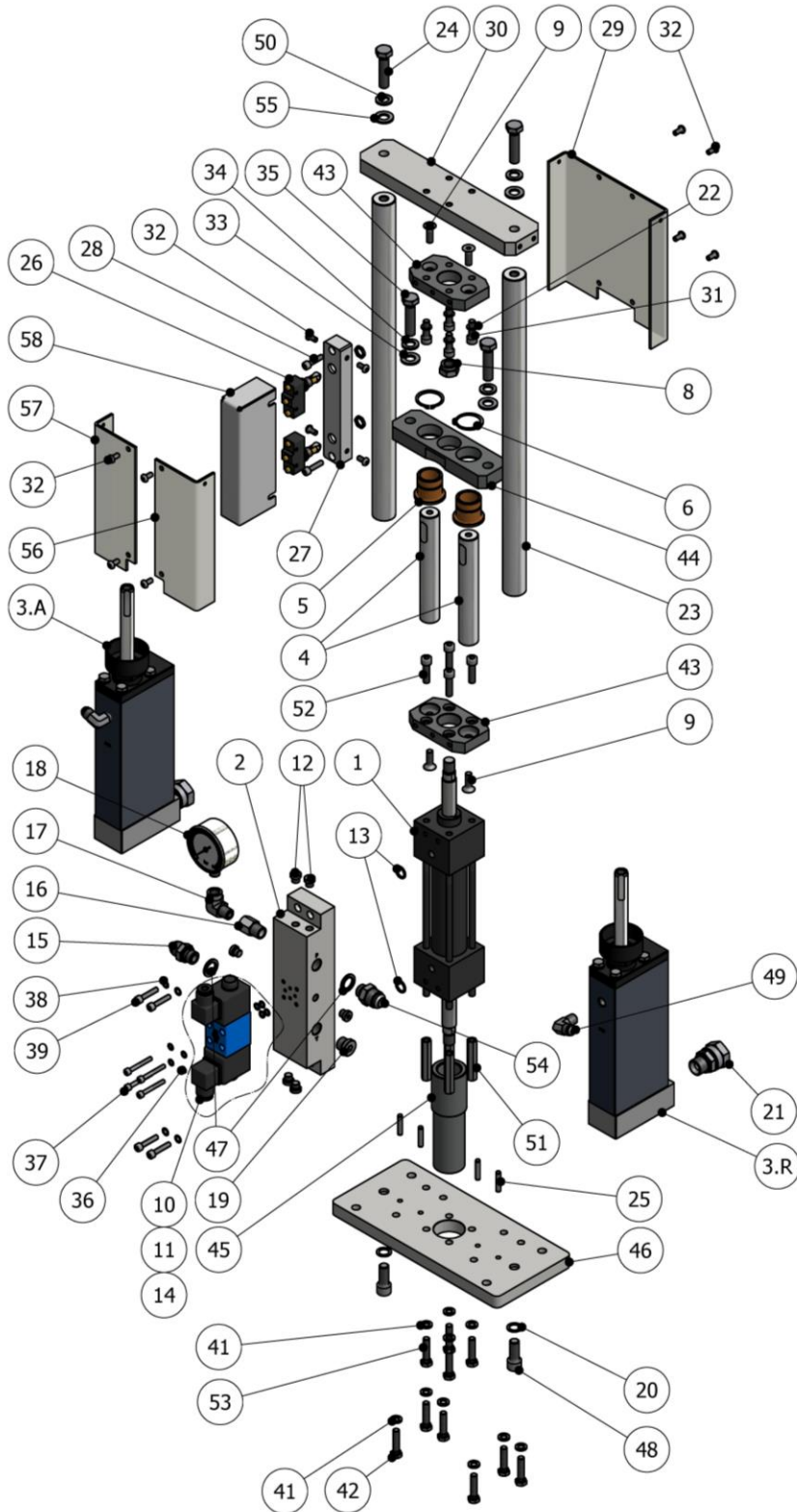


Figure 5. Proportioning pump assembly



**Table 11. List of parts for proportioning pump assembly**

Pos.	Description	Reference	Qty
1	Hydraulic cylinder	HI-00207	1
2	Hydraulic distributor block	MQ-18001	1
3.A	ISO proportioning pump	See Table 12	1
3.R	POL proportioning pump	See Table 12	1
4	Guide column	MQ-18006	2
5	Guide bush	TN-00314	2
6	Seeger ring	TN-00070	2
7			
8	Hex nut	TN-00415	1
9	Countersunk screw	TN-00191	4
10	Solenoid valve assy. NG4 C.A.	HI-00126	1
11	O-ring (included in "POS".10)	OR-00024	3
12	Flanged cap	RA-00211	6
13	O-ring	OR-00143	2
14	O-ring (included in "POS".10)	OR-00057	1
15	Nipple	RA-00388	1
16	Reduction	RA-00373	1
17	Elbow 90°	RA-00021	1
18	Pressure gauge 160 bar	NHI-00015	1
19	Flanged cap	RA-00049	1
20	AET Washer	TN-00015	2
21	Swivel nut adapter	RA-00141	2
22	AET Washer	TN-00038	4
23	Column	MQ-18037	2
24	Hex. Screw	TN-00037	2
25	Pin	TN-00055	4
26	Pump Reversing Switch (with nuts)	EL-00020	2
27	Reversing Switch Support	MQ-18045	1
28	Allen Screw	TN-00169	2

(\* Quantities per assembly.

Cont. overleaf.



/ cont.

Pos.	Description	Reference	Qty
29	Polycarbonate protective casing	MQ-18014	1
30	Upper Plate	MQ-18036	1
31	Allen Screw	TN-00027	4
32	ULS Screw	TN-00170	12
33	Flat washer	TN-00040	2
34	Glomer washer	TN-00039	2
35	Hex screw	TN-00037	2
36	AET washer	TN-00017	4
37	Allen screw	TN-00198	4
38	AET washer	TN-00048	4
39	Allen screw	TN-00014	4
40			
41	Glomer washer	TN-00028	10
42	Hex screw	TN-00399	6
43	Column base plate	MQ-18004-MIC	2
44	Puma yoke	MQ-18005-MIC	1
45	Spacer	MQ-18002	1
46	Pump base plate	MQ-20007	1
47	Bi-material gasket	RA-00018	2
48	Extension nozzle	RA-00043	2
49	Elbow 45°	RA-00043	2
50	Glomer Washer	TN-00039	2
51	Hex. Spacer	MQ-18030	4
52	Allen screw	TN-00429	4
53	Hex. Screw	TN-00428	4
54	Nipple	RA-00062	1
55	Flat Washer	TN-00040	2
56	Front Panel RH	MQ-18048	1
57	Front Panel LH	MQ-18049	1
58	Reversing Switch Cover	MQ-18047	1



**Table 12. List of parts per proportioning pump size, novaG - I**

Size of proportioning pump	Description	Reference
4.5	ISO / POL proportioning pump	PU-02001-ESH

**Note:**

***The isocyanate and polyol pumps are identical.***

## PROPORTIONING PUMP

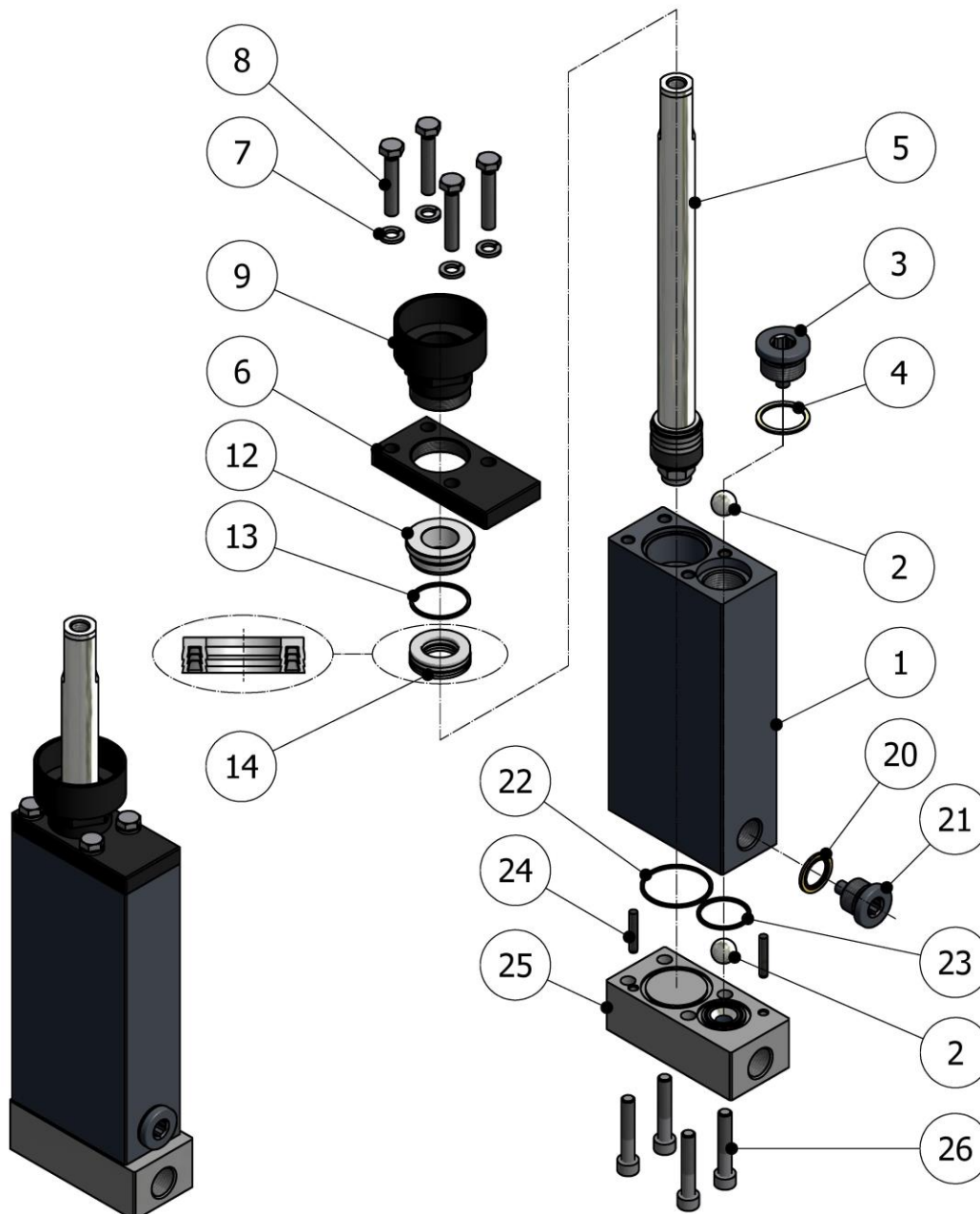


Figure 6. Proportioning pump



**Table 13. List of parts for proportioning pump assembly**

Pos.	Description	Reference	Qty
1	Pump and upper bushing assy.	PU-02001-02A	1
1.1	Pump housing	PU-02001-02	1
1.2	Ball seat bushing	PU-02000-09	1
2	Chrome-plated steel ball	TN-00012	2
3	Upper ball stopper	PU-02000-21	1
4	Stopper gasket	PU-02000-27	1
5	Shaft assy.	See page 21	1
6	Pump yoke	PU-02000-03	1
7	Locking washer	TN-00028	4
8	Hex head screw	TN-00051	4
9	Packing nut	PU-02001-31	1
12	Guide bush (#)	PU-02001-30G	1
13	O-ring (#)	OR-00125	1
14	Retainer (#)	OR-00117G	1
20	Gasket	OR-00023	1
21	Lower ball stopper	PU-02000-10	1
22	O-ring	OR-00013	1
23	O-ring	OR-00014	1
24	Pin	TN-00042	2
25	Base plate and bush assy.	PU-02000-01A	1
25.1	Ball seat bushing	PU-02000-09	1
25.2	Pump base plate	PU-02000-01	1
26	Cylindrical head screw	TN-00046	4
27	Gasket kit (not shown in drawing)	See Table 15	1

**Notes:**

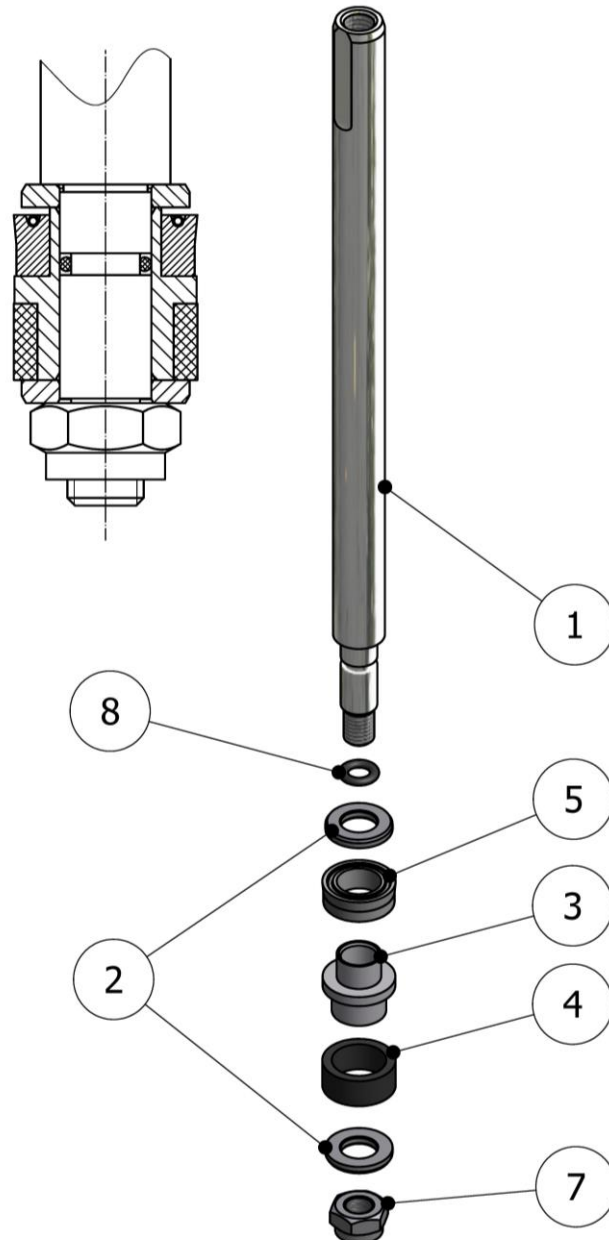
***The isocyanate and polyol pumps are identical.***

***The quantities indicated are for one pump.***

***(#) Parts included in gasket kit Pos. 27. (Includes replacement parts for 1 pump).***



## PROPORTIONING PUMP PISTON



*Figure 7. Proportioning pump piston, exploded view*



**Table 14. List of components of proportioning pump piston**

Pos.	Description	Reference	Qty
1	Pump shank	PU-02001-06	1
2	Washer	PU-02001-08	2
3	Pump rod	PU-02001-07R	1
4	Rod guide (#)	OR-00050	1
5	Rod gasket (#)	OR-00151	1
6			
7	Self-locking nut	TN-00165	1
8	O-ring (#)	OR-00049	1
9	Gasket kit	See Table 15	1

**Note:**

**Quantities per pump.**

**(#) Parts included in gasket kit Pos. 9. (Includes replacement parts for 1 pump).**

**Table 15. Seal Kit, Parts List**

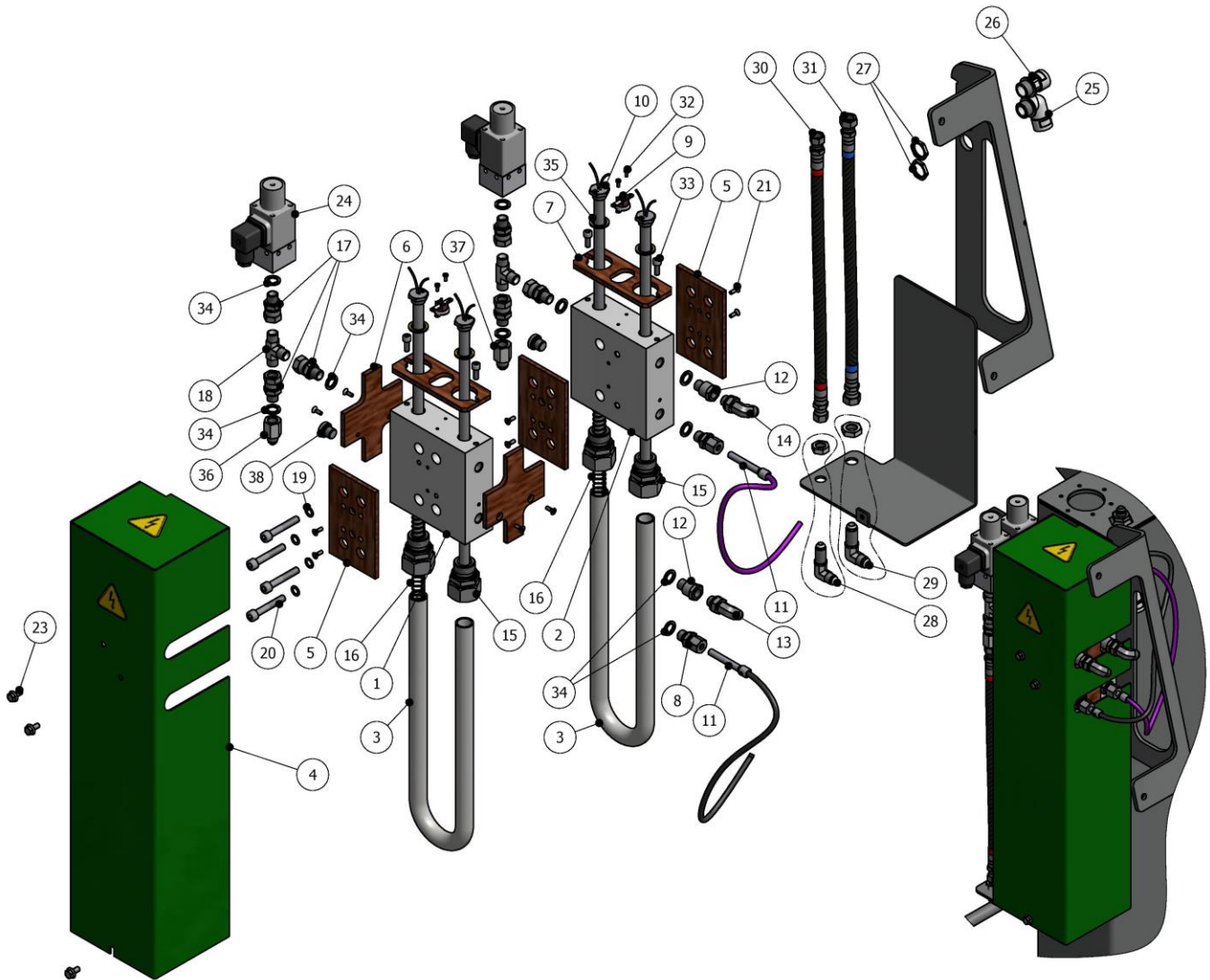
Reference	Description
KT-00153	#4.5 Pump Seal Kit

**Note:**

**To see the assembly instructions for the seals, as well as the tools to be used, refer to the Service Manual NR-00031.**

**For special sizes, see the specific Parts Manual NR-00032 (consult the Sales Department for manufacturing times).**

## PRIMARY HEATER



**Figure 8. Primary heater**

**Note:** The Isocyanate and Polyol heaters are the same, except the inlet and outlet fitting (ISO POS.36, 13 and POL POS.37, 14) and the position of the assembly of some component. The cover is common for both heaters.

**Table 16. List of parts Primary heater**

Pos.	Description	Reference	Qty.
1	ISO Heater Block	NCL-05003-ISO	1
2	POL Heater Block	NCL-05003-POL	1
3	Short Heater Pipe	NCL-03001-06	2
4	Heater Cover Assy	NCL-05012-00	1
5	Lateral Insulation	NCL-05007B	3
6	Lateral Insulation	NCL-05007A	2
7	Front Insulation	NCL-05009	2
8	Male Stud Connector	RA-00231	2
9	Thermostat	EL-00006	2
10	Resistance	See Table 17	4
11	Thermocouple	EL-00146-00	2
12	Lengthen	RA-00077	2
13	Elbow 90°	RA-00051	1
14	Elbow 90°	RA-00050	1
15	Male Stud Connector	RA-00468	4
16	Spring	SP-00030	2
17	Swivel Nut	RA-00009	6
18	"T" Adapter	RA-00134	2
19	AET Washer	TN-00038	4
20	Allen Screw	TN-00090	4
21	Screw	TN-00050	10
22			
23	Hex. Flange Bolt	TN-00491	3
24	Pressure Switch	HI-00021	2
25	Plastic Elbow 90°	EL-00087-01	1
26	Plastic Connector	EL-00087-00	1
27	Nut	EL-00090-01	2
28	Elbow 90° Wall Mount	RA-00540	1
29	Elbow 90° Wall Mount	RA-00541	1
30	ISO Hose	MA-00197	1
31	POL Hose	MA-00198	1

**Cont. overleaf.**



/ cont.

Pos.	Description	Reference	Qty.
32	Screw	TN-00128	4
33	Allen Screw	TN-00061	4
34	Metal O-Ring	OR-00054	10
35	Metal O-Ring	OR-00018	4
36	Adapter	RA-00545	1
37	Adapter	RA-00546	1
38	Plug	RA-00013	2

**Table 17. List of heater models according to intensity**

Description	2x900 W @ 230 V	2x900 W @ 400 V
Heater Assembly ISO/POL	NCL-05000-00B	NCL-05000-00A
Resistance Ref. <b>POS.10</b>	EL-00155	EL-00255



## INLET BYPASS KIT REF. NKT-119-ASSY

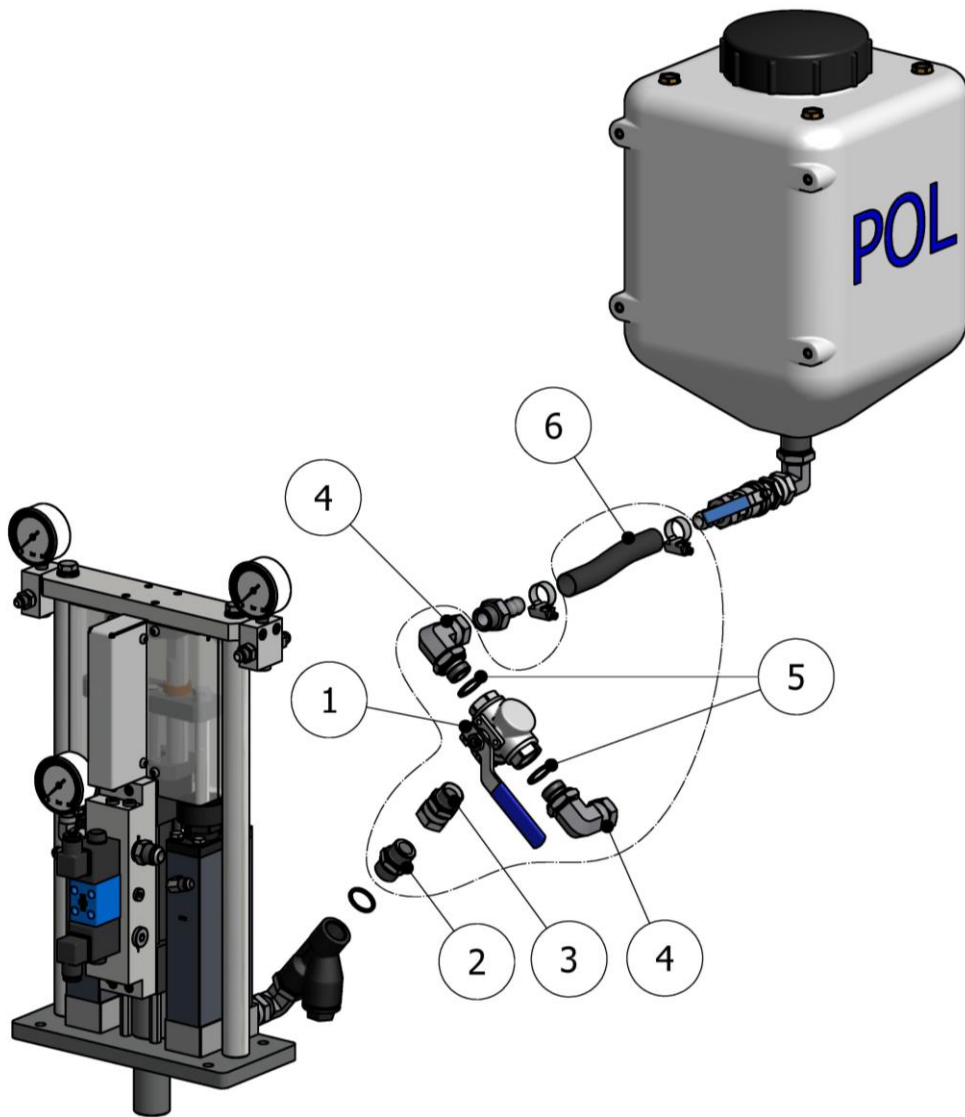


Figure 9. Inlet Bypass kit Ref. NKT-119-ASSY



**Table 18. List of components of Inlet Bypass kit  
Ref. NKT-119-ASSY**

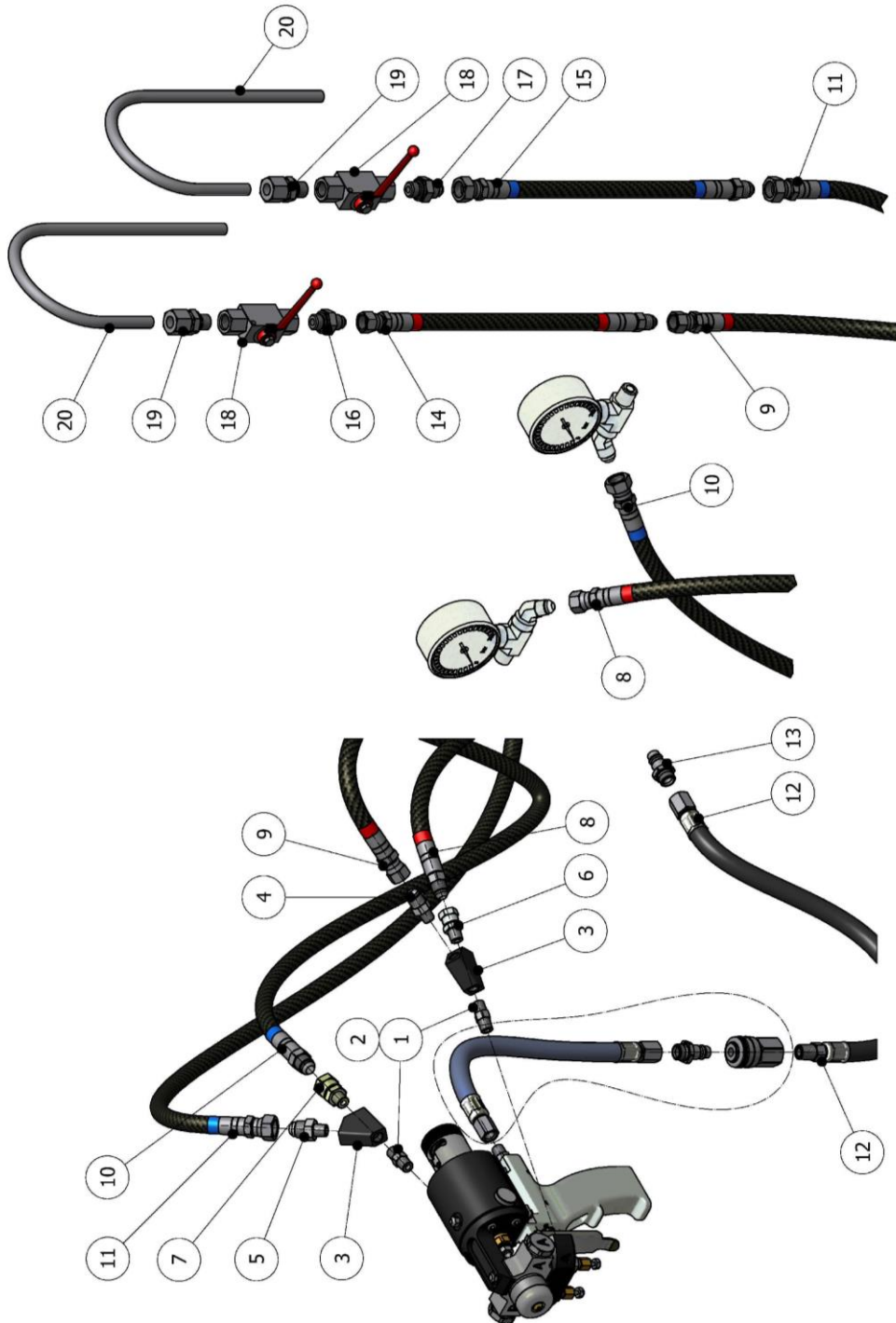
Pos.	Description	Reference	Qty.
1	3 Way Ball Valve	RA-00458	2
2	Union	RA-00142	2
3	Swivel Nut	RA-00073	2
4	Elbow 90° with Swivel Nut	RA-00338	4
5	Metal O-Ring	OR-00082	4
6	Hose 3/4" x 180 mm	MA-	2
	Reinforce Spring (inserted in MA-)	SP-00009	2

***Other parts of the drawing according to standard assembly.***

***The quantities reflected in the table correspond to the total units included in the kit for two Product Pumps.***



**RECIRCULATION KIT REF. KT-00059-90**



**Figure 10. Recirculation kit Ref. KT-00059-90**



**Table 19. List of components of recirculation kit**

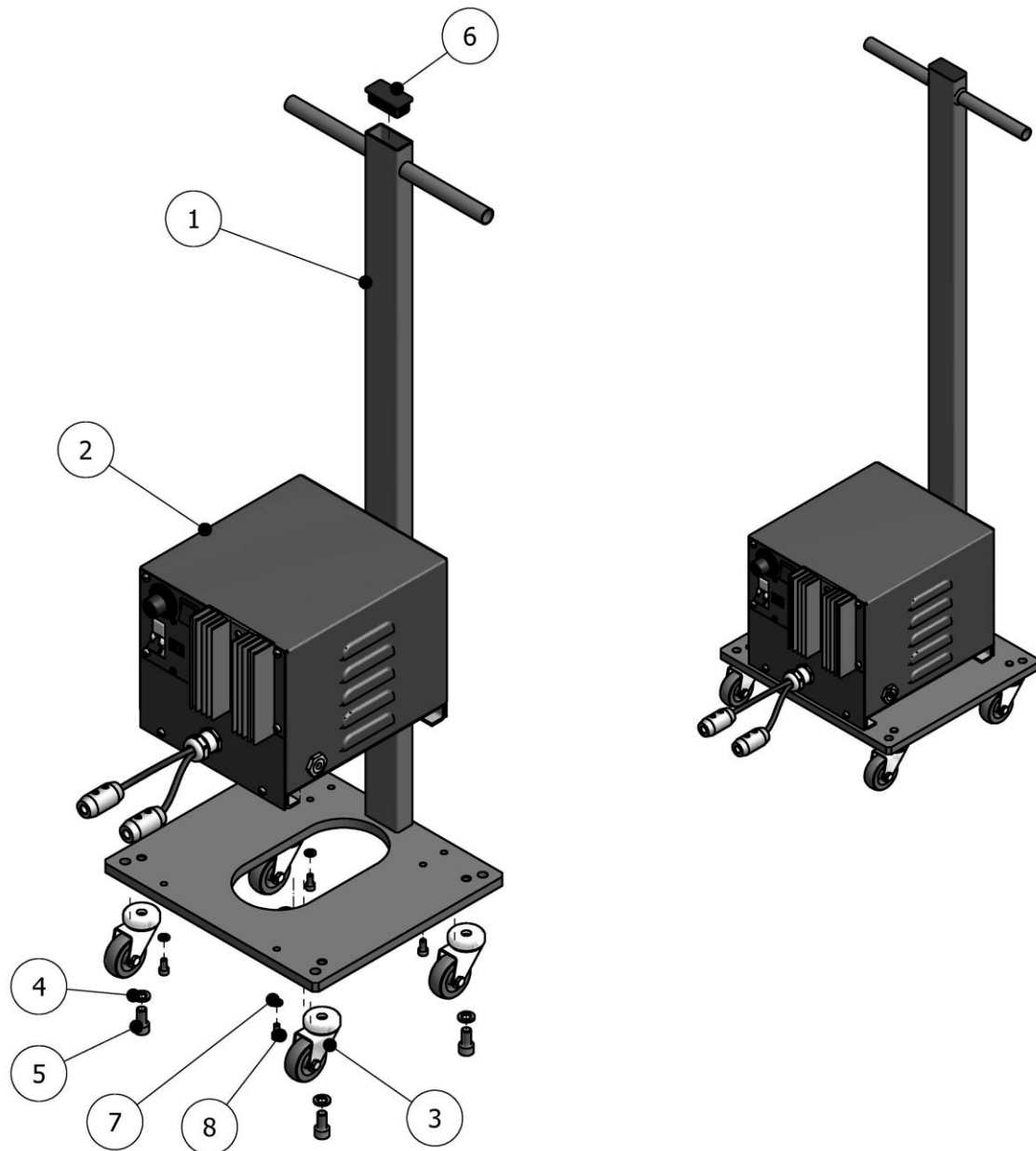
Item.	Description	Part Number	Qty.
1	Nipple	RA-00112	2
2	Elbow	RA-00205	2
3	Manifold	RA-00464	2
4	Nipple	RA-00238	1
5	Nipple	RA-00237	1
6	Swivel (*)	RA-00005	1
7	Swivel (*)	RA-00006	1
8	Flex 10000 mm Supply ISO	MA-00060-3	1
9	Flex 10000 mm Recirculation ISO	MA-00060-2	1
10	Flex 10000 mm Supply POL	MA-00059-3	1
11	Flex 10000 mm Recirculation POL	MA-00059-2	1
12	Air Hose	MA-00194	1
13	Air Coupler	RA-00110	1
14	Flex 1000 mm Recirculation Extended ISO	MA-00177	1
15	Flex 1000 mm Recirculation Extended POL	MA-00178	1
16	Nipple	RA-00144	1
17	Nipple	RA-00145	1
18	Ball Valve	RA-00217	2
19	Swivel	RA-00218	2
20	Tube	MQ-06016	2
	Hose Cover 10000 mm	MA-00123	
	Insulating Cover 10000 mm	MA-00099	
	Insulating Cover 8000 mm	MA-00099-1	

***This kit is included with the standard unit version 1.***



## ADDITIONAL TRANSFORMER (OPTIONAL)

For heated hoses of 38 to 48 m

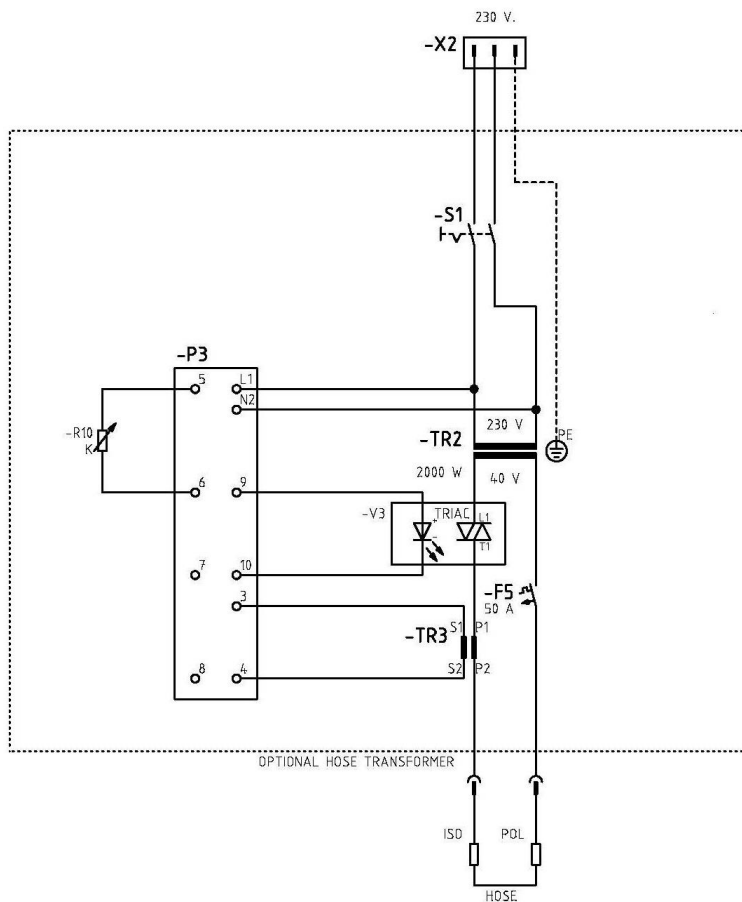


**Figure 11. Additional Independent Transformer (optional)**  
**Ref. NMQ-18022**

**Table 20. List of components of additional independent transformer (optional)  
Ref. NMQ-18022**

Pos.	Description	Reference	Qty
1	Transformer cart	NMQ-18022-00	1
2	Transformer	NEL-00127-08	1
3	Castor	MQ-07010	4
4	Glower washer	TN-00087	4
5	Allen screw	TN-00206	4
6	Tube cap	TN-00414	1
7	Glower washer	TN-00025	4
8	Allen screw	TN-00409	4

**For heated hoses of 38 to 48 m**





**CIRCUIT DIAGRAM: 2X 1NPE~230V 50/60HZ**

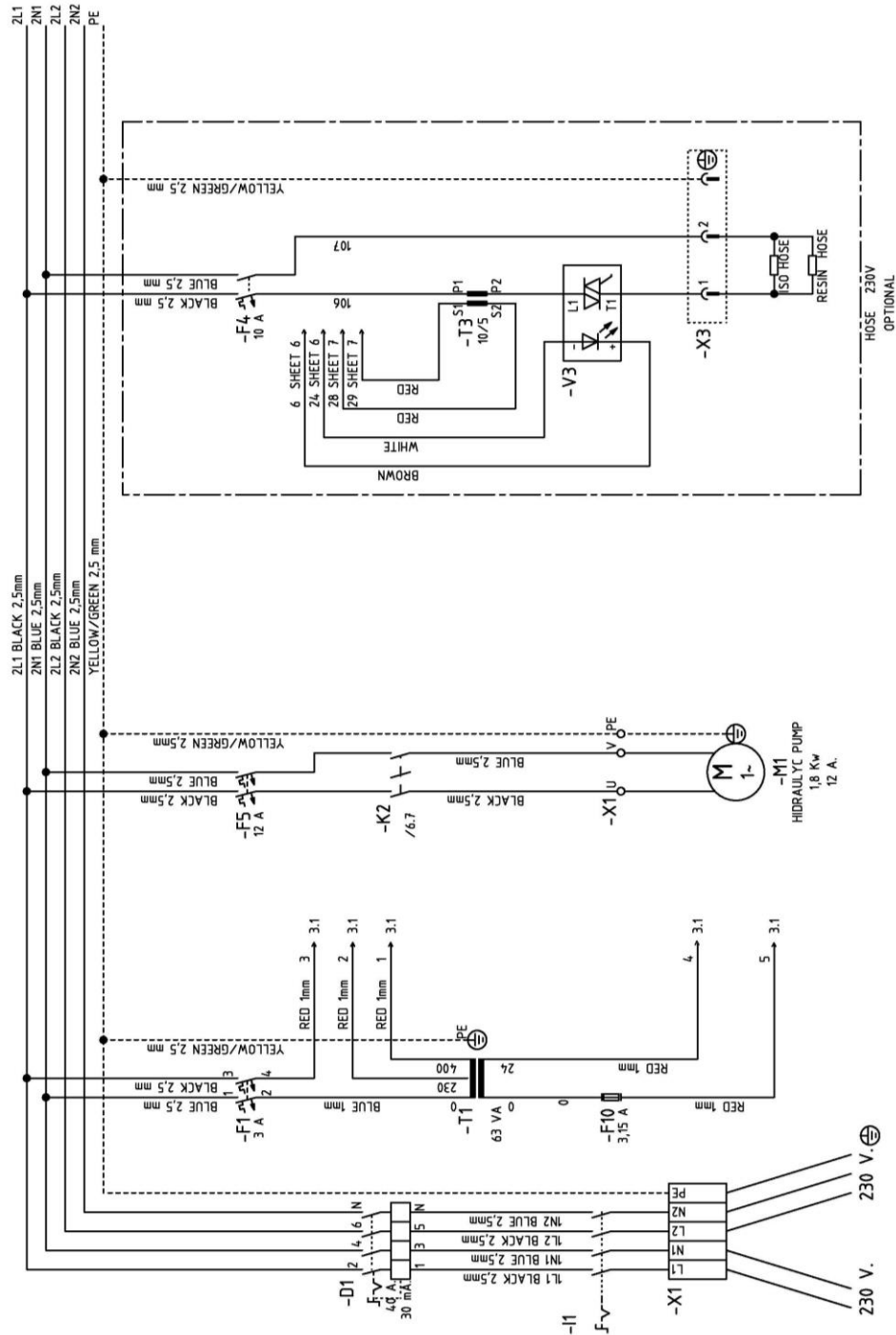


Figure 12. Circuit diagram: 2x 1NPE~230V 50/60Hz standard version (p.1/7)

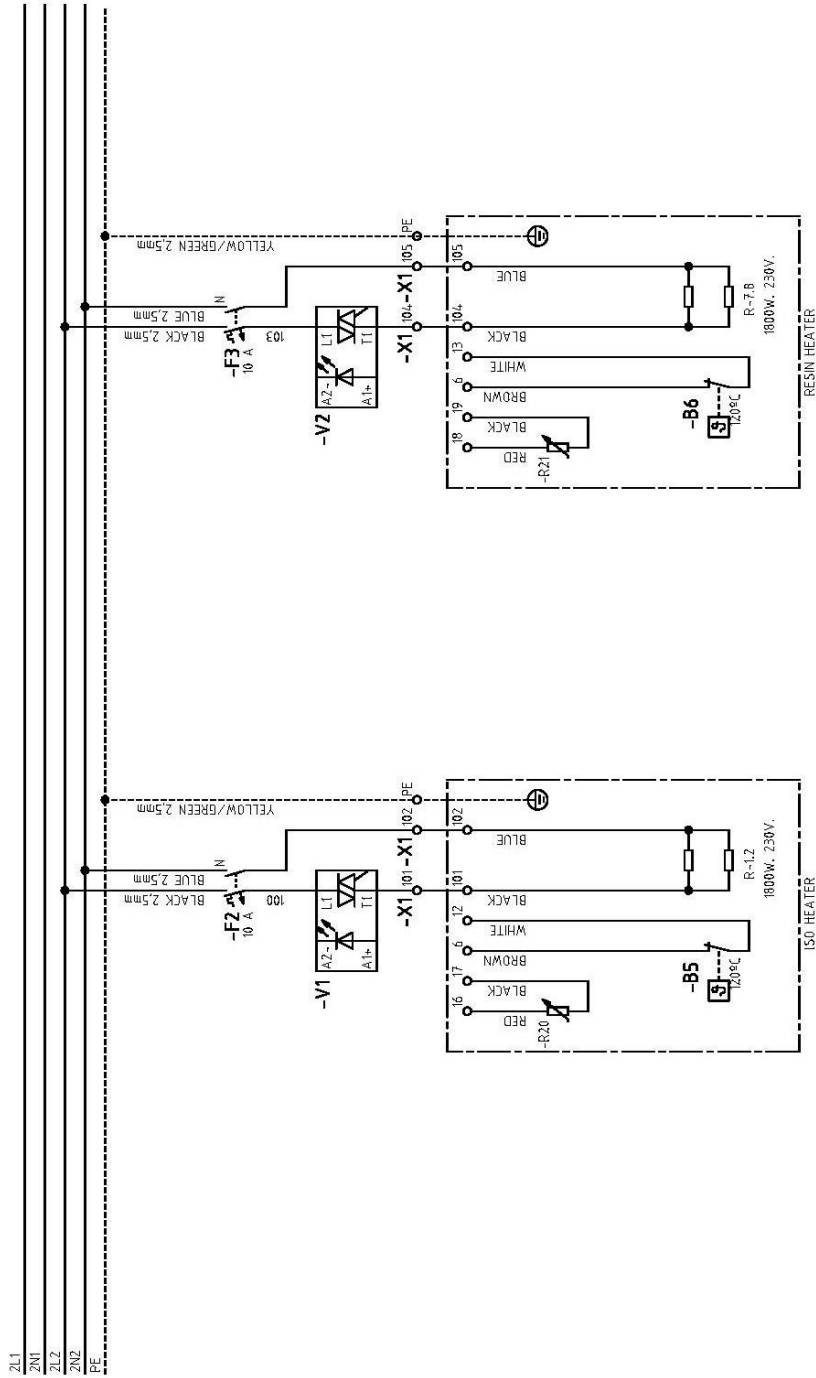


Figure 13. Circuit diagram: 2x 1NPE~230V 50/60Hz standard version (p.2/7)

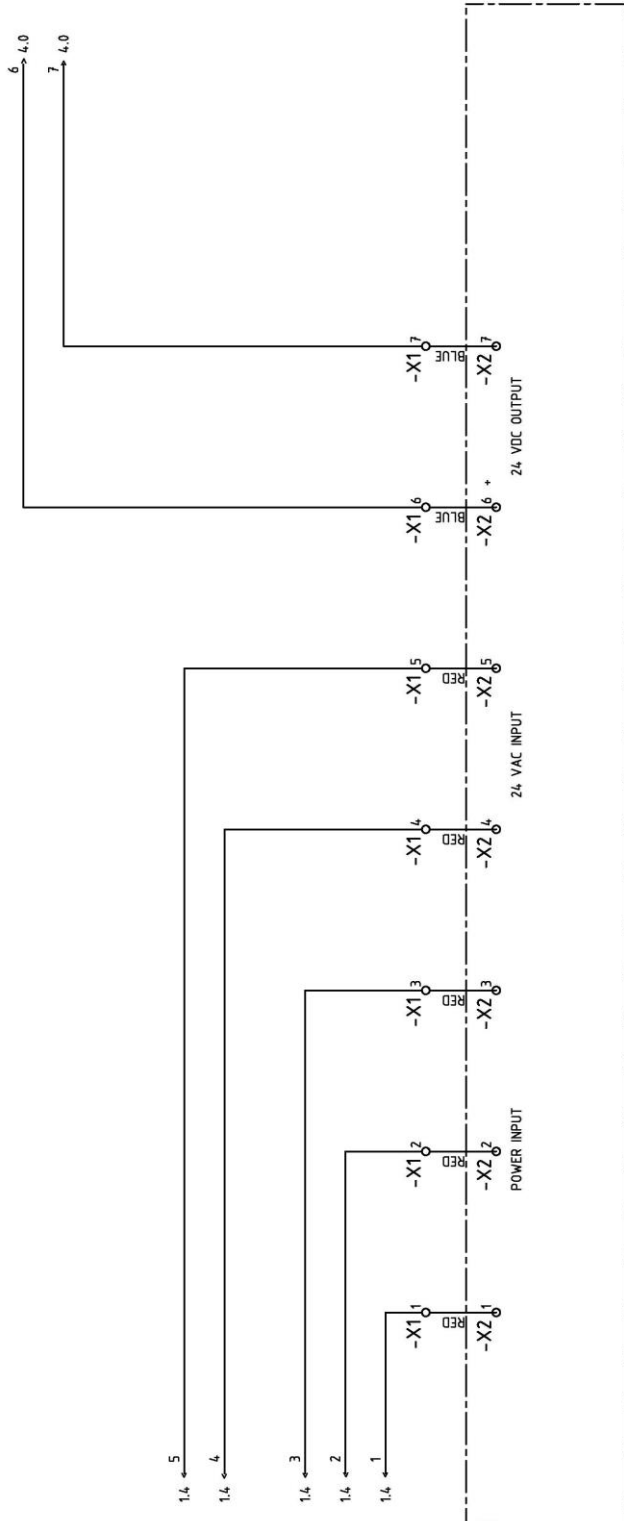


Figure 14. Circuit diagram: 2x 1NPE~230V 50/60Hz standard version (p.3/7)

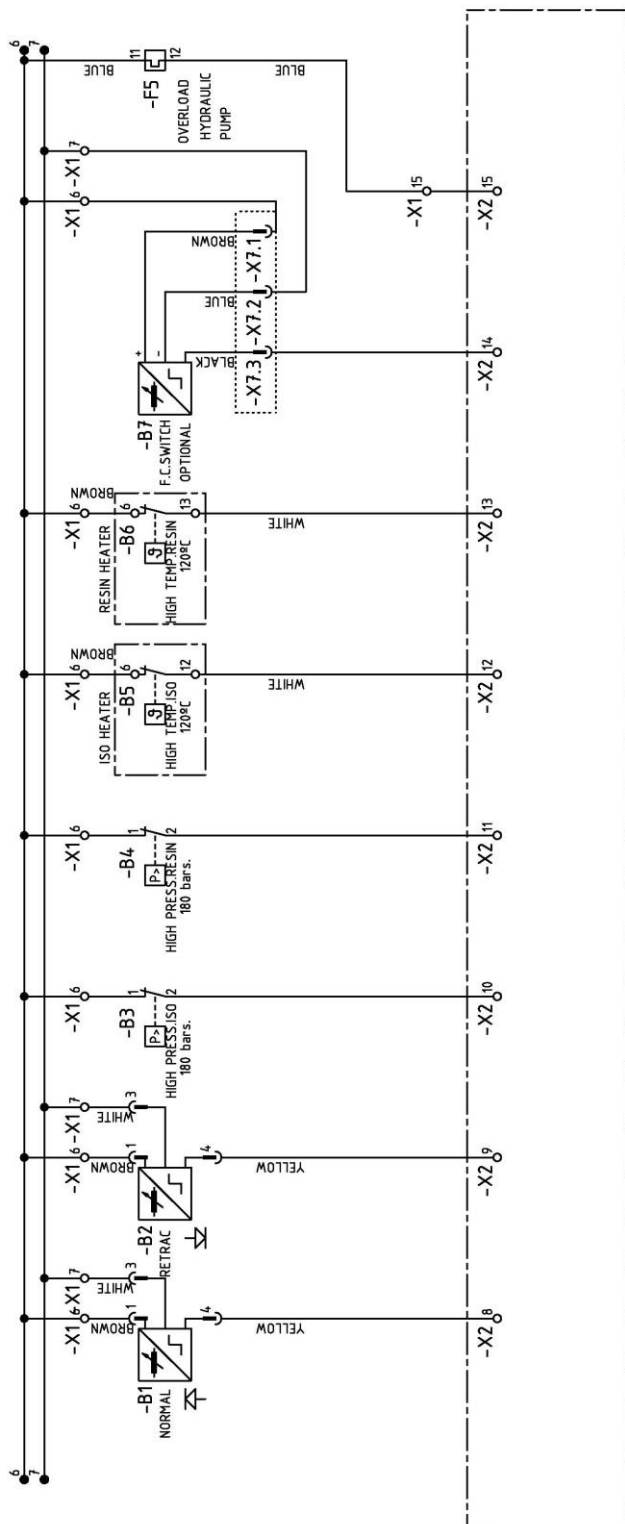


Figure 15. Circuit diagram: 2x 1NPE~230V 50/60Hz standard version (p.4/7)

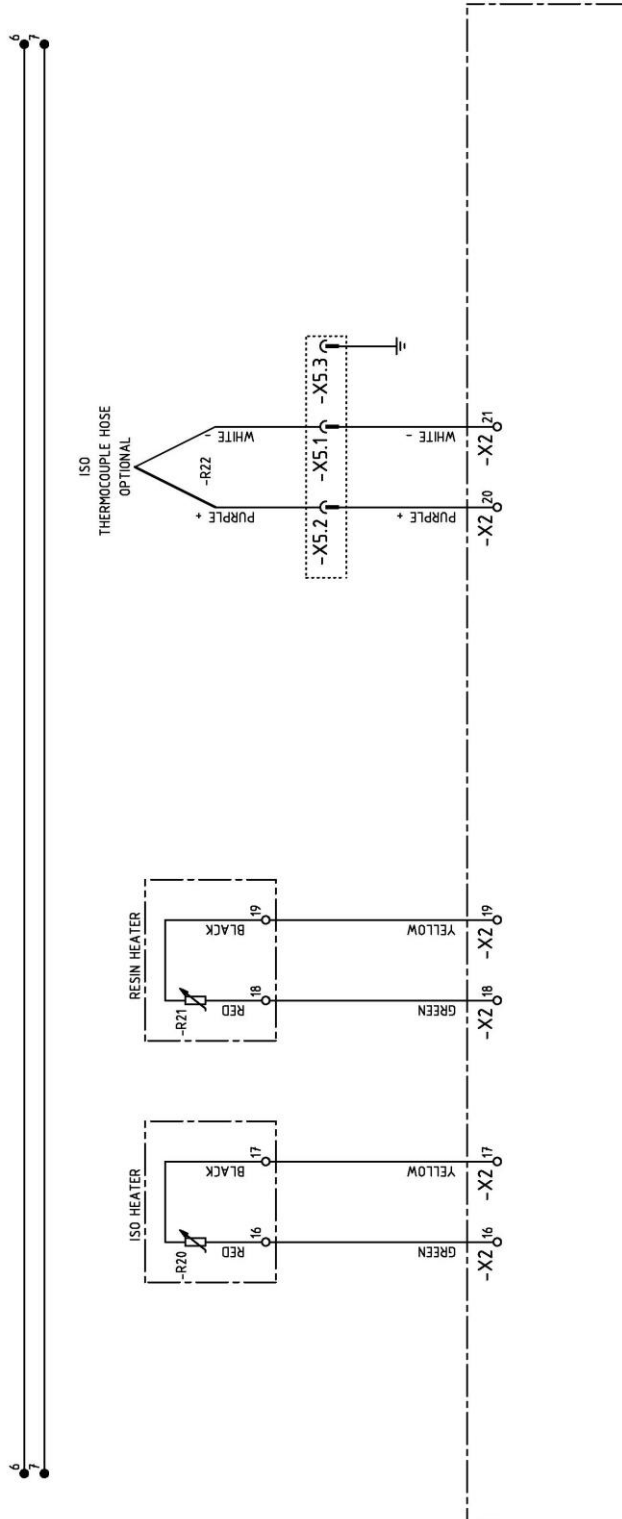


Figure 16. Circuit diagram: 2x 1NPE~230V 50/60Hz standard version (p.5/7)

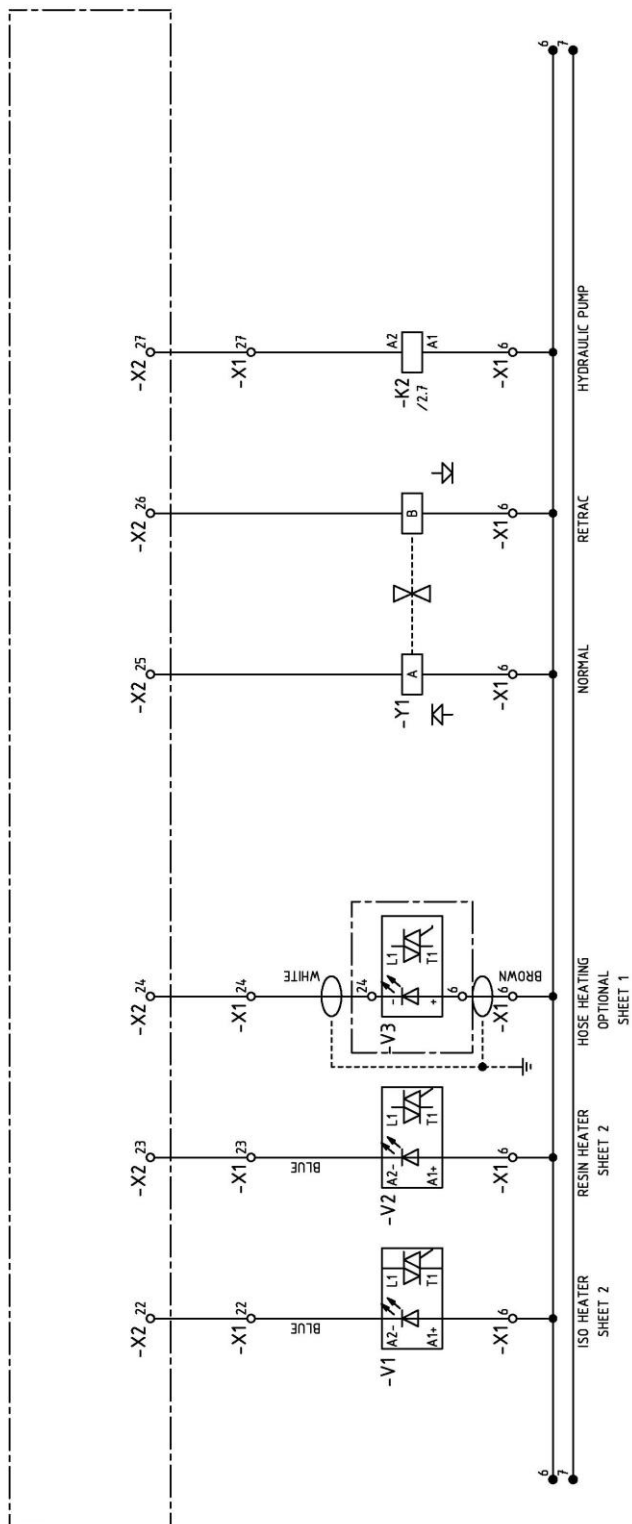


Figure 17. Circuit diagram: 2x 1NPE~230V 50/60Hz standard version (p.6/7)

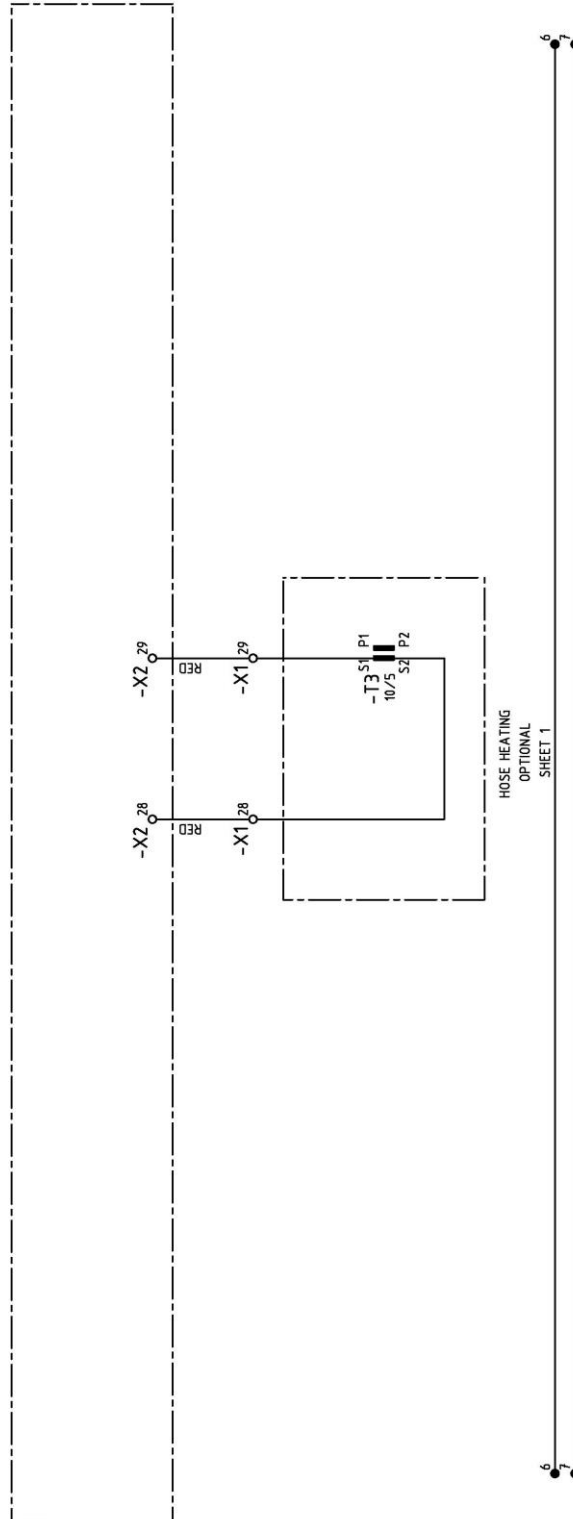


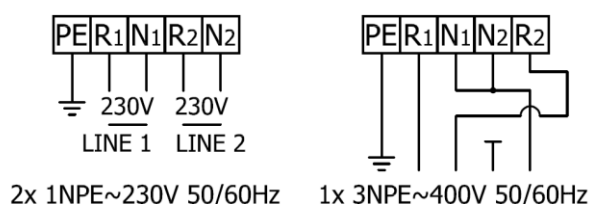
Figure 18. Circuit diagram: 2x 1NPE~230V 50/60Hz standard version (p.7/7)

**Table 21. List of parts for 2x 1NPE~230V 50/60Hz distribution board version 1, hoses with recirculation.**

Pos.	Description	Reference	Qty
X1	Terminal Block.	EL-00105-12	1
I1	Main Switch 63 A	EL-00107-18	1
I1	4 <sup>th</sup> Contact	EL-00107-21	1
I1	Control Switch	EL-00107-19	1
D1	Differential Circuit Breaker 40 A, 30 mA	EL-00108-00	1
F1	Auto Switch 1P+N, 3 A	EL-00109-04	1
F2, F3	Auto Switch 1P+N, 10 A	EL-00111-04	2
F5	Auto Switch 1P+N, 12 A	EL-00119-11	1
	Auto Switch Base Connection	EL-00119-10	2
F10	Fuse Terminal	EL-00104-13	1
	Fuse 3,15 A	EL-00128-02	2
T1	Transformer 63 VA, 230/400 – 24 V	EL-00127-01	1
V1, V2	Solid Relay 12 A, 600 V	EL-00126-09	2
K2	Contactora 7,5 KW, 24 VDC	EL-00121-02	1

**Table 22. List of parts for variant 2x 1NPE~230V 50/60Hz distribution board version 2, heated hoses.**

Pos.	Description	Reference	Qty
F4	Auto Switch 1P+N, 10 A	EL-00111-04	1
T3	Intensity Transformer 10/5 A	EL-00127-18	1
V3	Solid Relay	EL-00126-02	1



**Figure 19. Optional Connections**

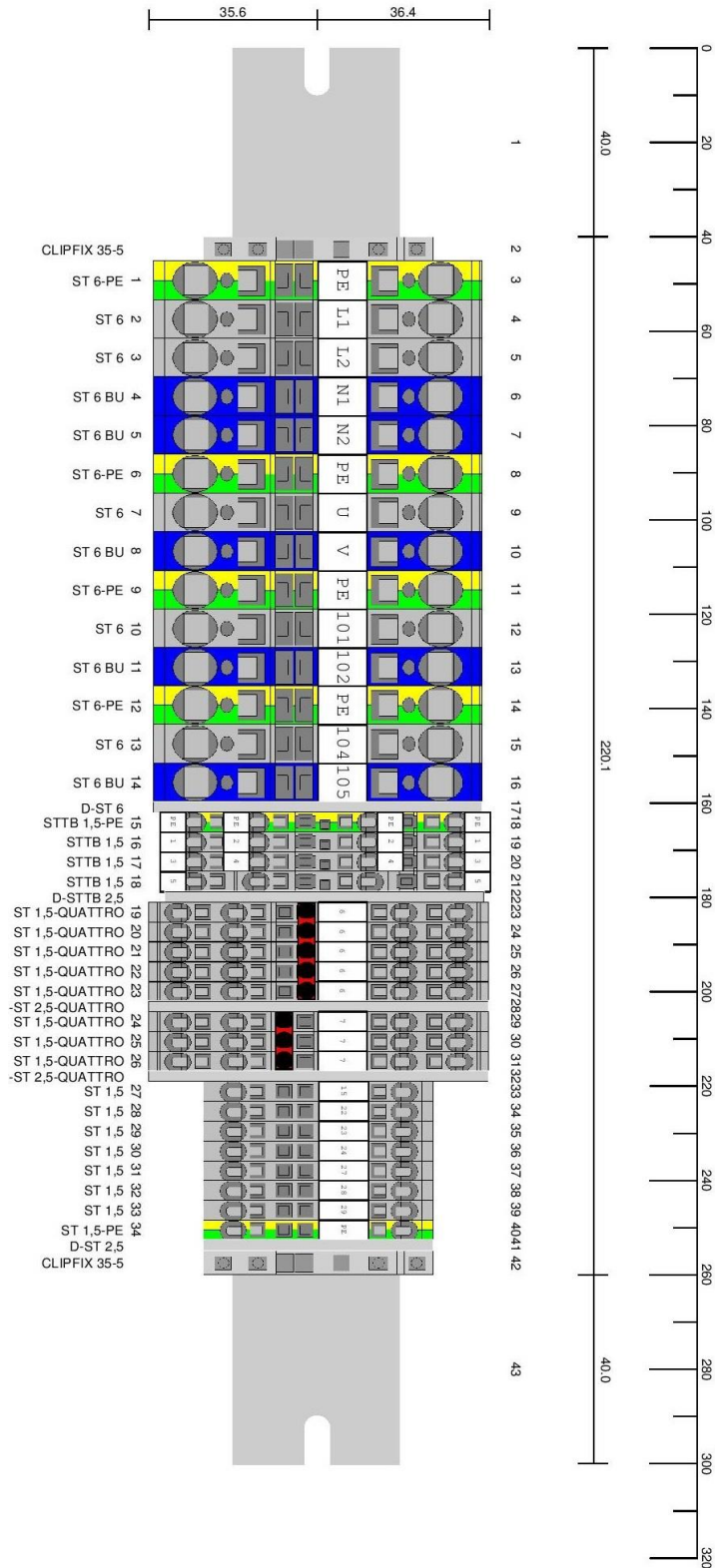
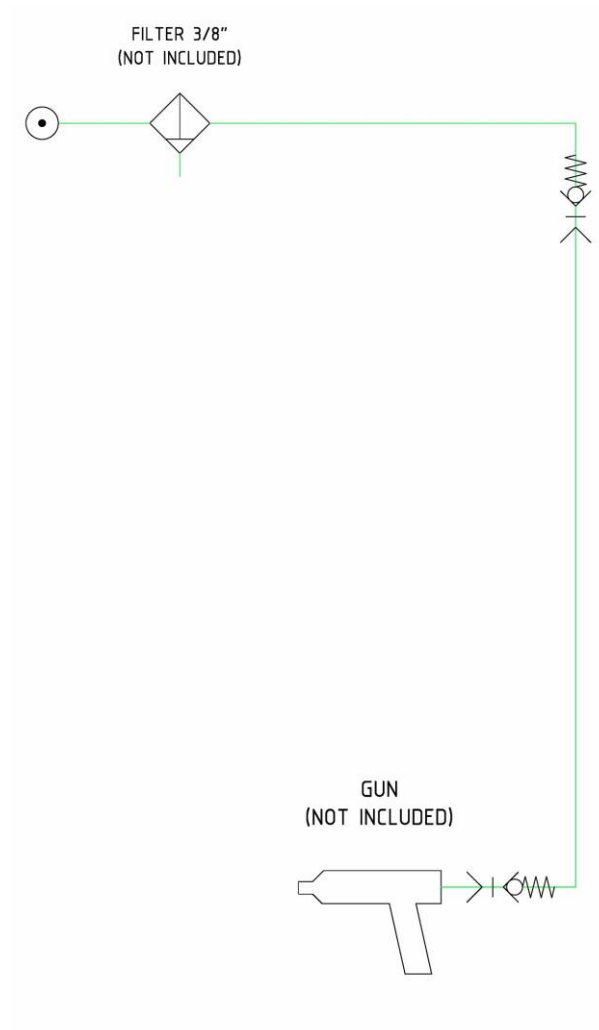


Figure 20. Distribution board



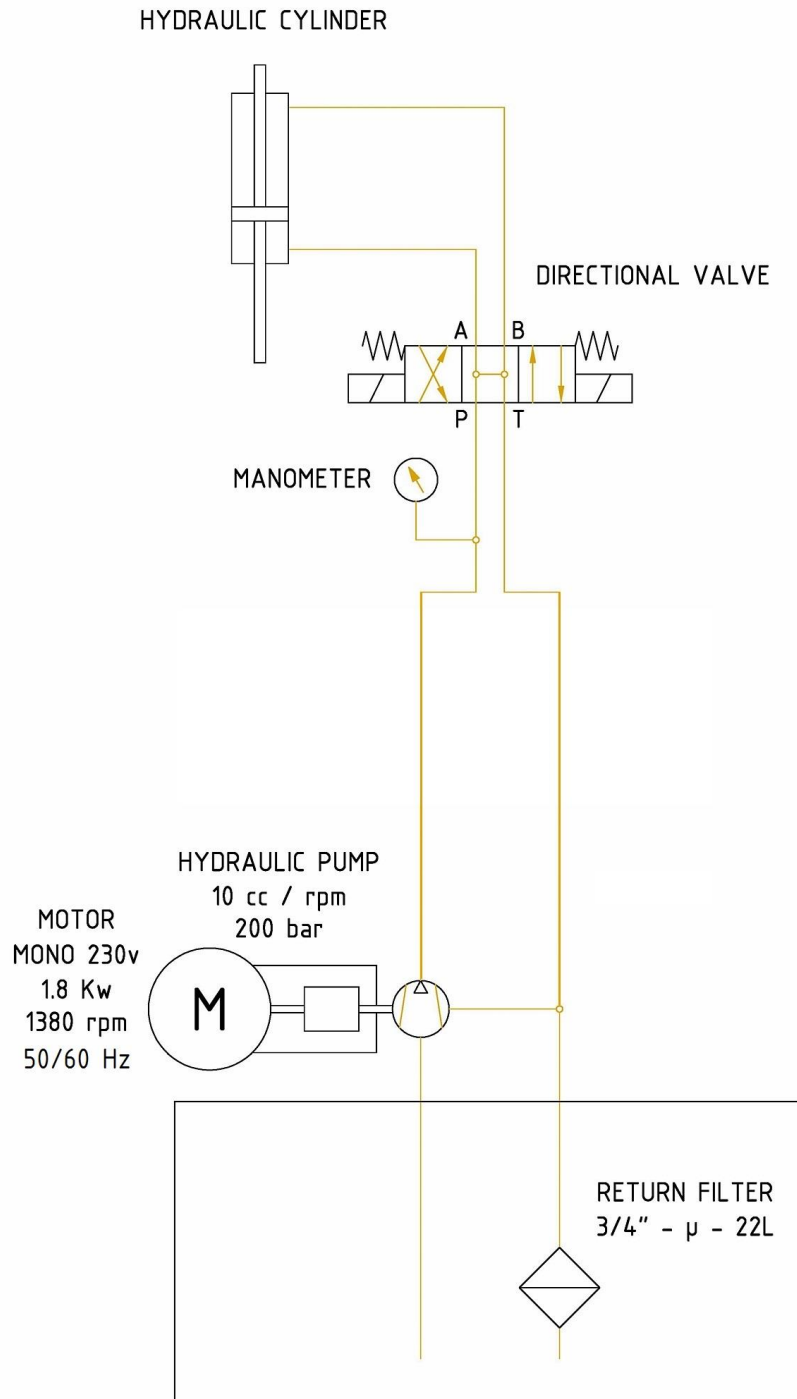
## PNEUMATIC CIRCUIT



**Figure 21. Pneumatic circuit**



## HYDRAULIC CIRCUIT



**Figure 22. Hydraulic circuit**



## FUNCTIONAL DIAGRAM STANDARD MODEL

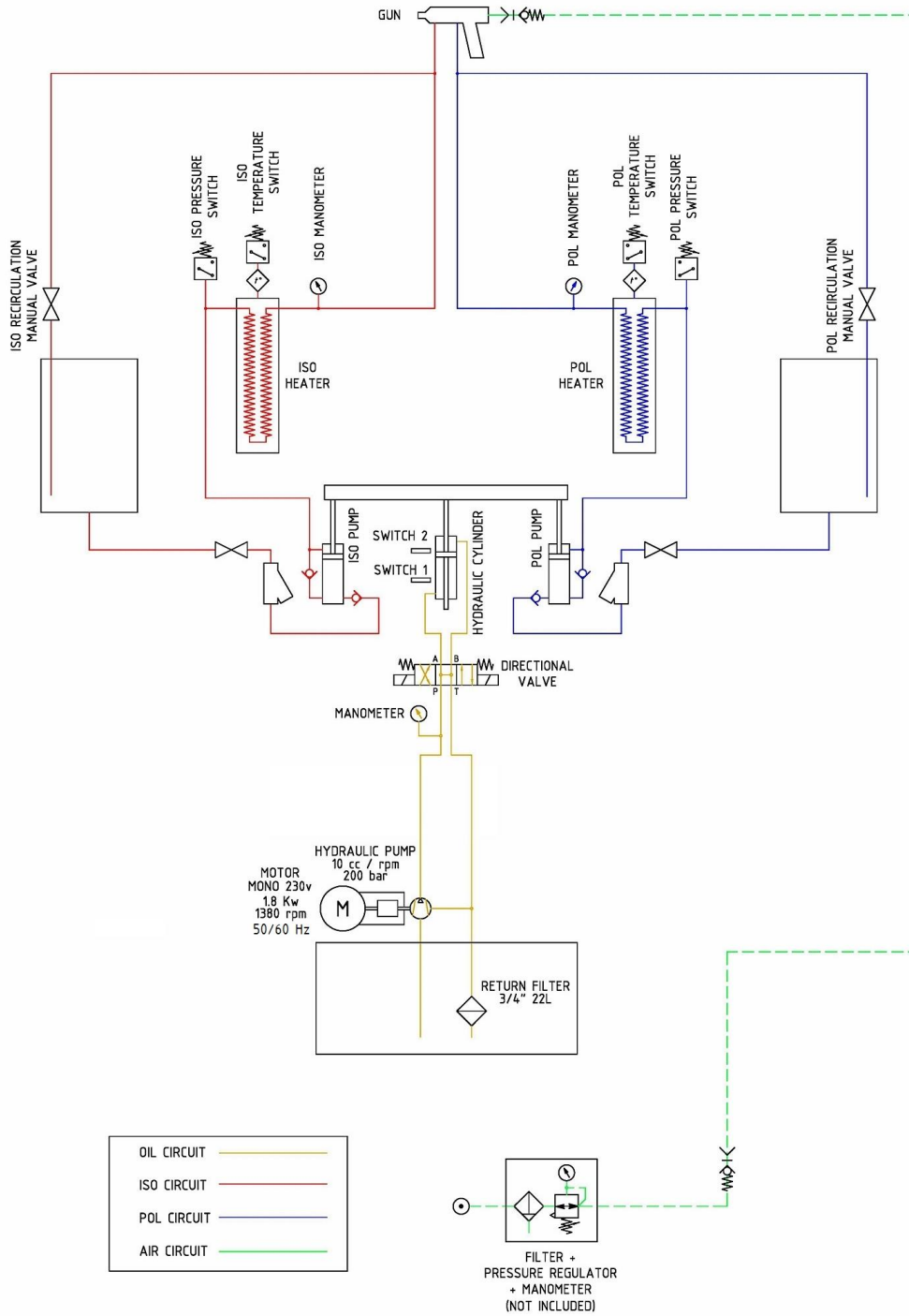


Figure 23. Functional diagram standard model



## FUNCTIONAL DIAGRAM HEATED HOSE MODEL

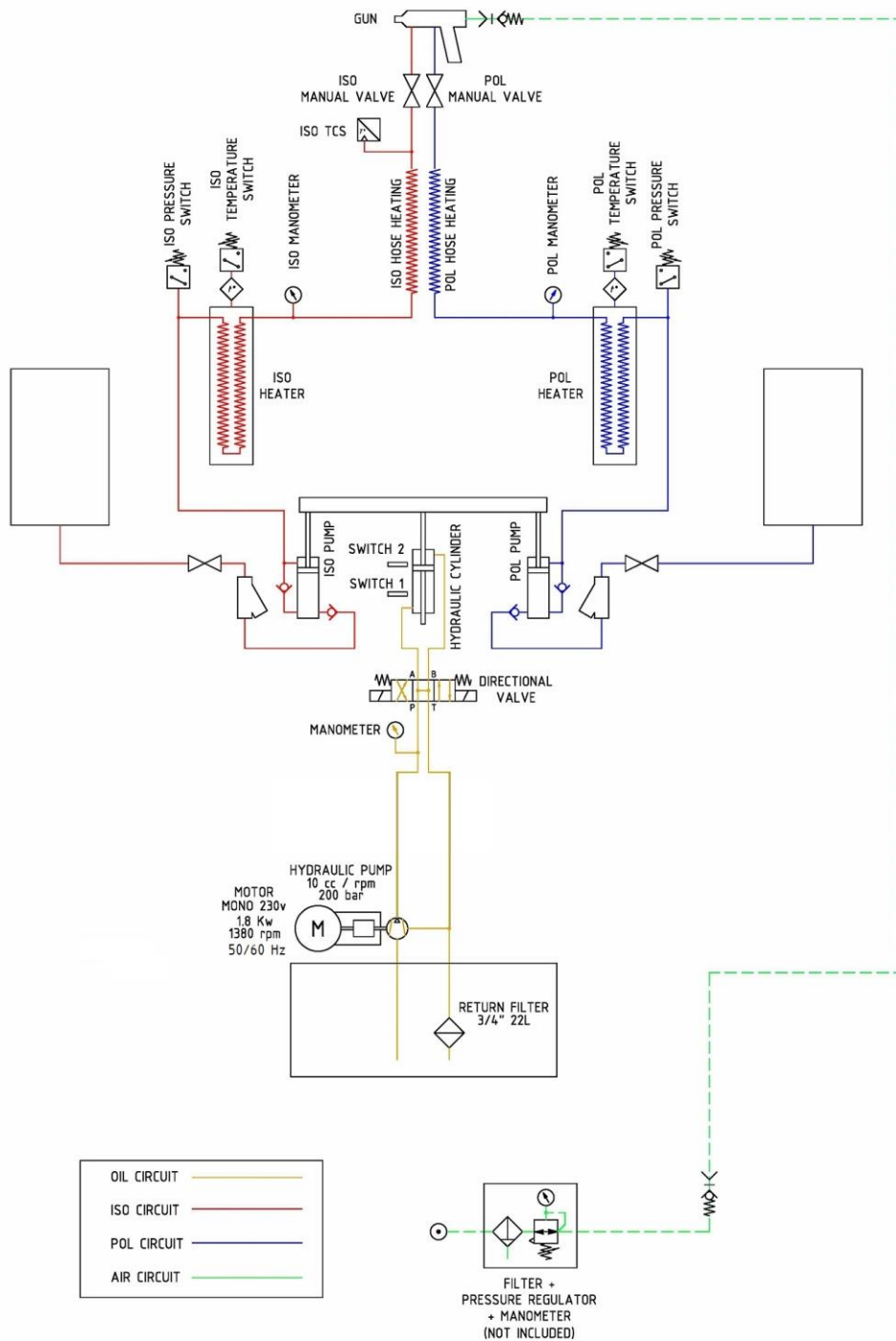


Figure 24. Functional diagram heated hose model



## CONTENTS

Warranty	2
Safety and Handling	3
Spray unit model novaG - I	4
Electrical console	6
Hydraulic drive with single-phase motor 230V 50/60Hz	8
Framework components	11
Proportioning pump assembly	14
Proportioning pump	18
Proportioning pump piston	20
Primary heater	22
Inlet Bypass kit Ref. NKT-119-ASSY	25
Recirculation kit Ref. KT-00059-90	27
Additional transformer (optional)	29
Circuit diagram: 2X 1NPE~230V 50/60Hz	31
Pneumatic circuit	40
Hydraulic circuit	41
Functional diagram standard model	42
Functional diagram heated hose model	43
Contents	44
List of illustrations	45
List of tables	46



## LIST OF ILLUSTRATIONS

Figure 1. Spray unit model novaG - I	4
Figure 2. Electrical console for novaG - I	6
Figure 3. Single-phase hydraulic drive 230V 50/60Hz (with VK pump)	8
Figure 4. Framework components	11
Figure 5. Proportioning pump assembly	14
Figure 6. Proportioning pump	18
Figure 7. Proportioning pump piston, exploded view	20
Figure 8. Primary heater	22
Figure 9. Inlet Bypass kit Ref. NKT-119-ASSY	25
Figure 10. Recirculation kit Ref. KT-00059-90	27
Figure 11. Additional Independent Transformer (optional)	29
Figure 12. Circuit diagram: 2x 1NPE~230V 50/60Hz standard version (p.1/7)	31
Figure 13. Circuit diagram: 2x 1NPE~230V 50/60Hz standard version (p.2/7)	32
Figure 14. Circuit diagram: 2x 1NPE~230V 50/60Hz standard version (p.3/7)	33
Figure 15. Circuit diagram: 2x 1NPE~230V 50/60Hz standard version (p.4/7)	34
Figure 16. Circuit diagram: 2x 1NPE~230V 50/60Hz standard version (p.5/7)	35
Figure 17. Circuit diagram: 2x 1NPE~230V 50/60Hz standard version (p.6/7)	36
Figure 18. Circuit diagram: 2x 1NPE~230V 50/60Hz standard version (p.7/7)	37
Figure 19. Optional Connections	38
Figure 20. Distribution board	39
Figure 21. Pneumatic circuit	40
Figure 22. Hydraulic circuit	41
Figure 23. Functional diagram standard model	42
Figure 24. Functional diagram heated hose model	43



## LIST OF TABLES

Table 1. Spray unit parts list _____	4
Table 2. Basic configurations _____	5
Table 3. List of references for electrical console _____	5
Table 4. List of References ISO & POL Heater _____	5
Table 5. List of parts for electrical console for novaG - I _____	6
Table 6. List of cabinet variants _____	7
Table 7. List of parts for Face panel assembly _____	7
Table 8. List of parts for Hydraulic Drive with Single-Phase Motor 230V 50/60Hz _____	9
Table 9. List of Motor variants according to frequency _____	10
Table 10. List of framework components _____	12
Table 11. List of parts for proportioning pump assembly _____	15
Table 12. List of parts per proportioning pump size, novaG - I _____	17
Table 13. List of parts for proportioning pump assembly _____	19
Table 14. List of components of proportioning pump piston _____	21
Table 15. Seal Kit, Parts List _____	21
Table 16. List of parts Primary heater _____	23
Table 17. List of heater models according to intensity _____	24
Table 18. List of components of Inlet Bypass kit _____	26
Table 19. List of components of recirculation kit _____	28
Table 20. List of components of additional independent transformer (optional) _____	30
Table 21. List of parts for 2x 1NPE~230V 50/60Hz distribution board version 1, hoses with recirculation. _____	38
Table 22. List of parts for variant 2x 1NPE~230V 50/60Hz distribution board version 2, heated hoses. _____	38