

Parts Manual

Proportioning Unit

"G-Connect" & "G-Connect+"

Issue 1.8 - 25/03/2026
Ref. NR-00049-ENG



Before installing the unit and starting it up, carefully read all the technical and safety documentation included in this manual. Pay special attention to the information to know and understand the handling and the conditions of use of the unit. All of the information is aimed at enhancing User Safety and avoiding possible breakdowns derived from the incorrect use of the unit.



Parts Manual

WARRANTY

HI-TECH SPRAY EQUIPMENT, S. A. (hereinafter “HI-TECH”) grants this Limited Guarantee to the original buyer (hereinafter the “Client”) for the unit and the original accessories given with the unit (hereinafter the “Product”) against any fault in the design, materials or manufacture of the Product at the time of the first purchase by the user and for a duration of two (2) years thereafter, except in the case of hoses and TSU’s, which will have a warranty period of one (1) year. Additionally, for any other product manufactured by external suppliers, the warranty period will be as specified by the manufacturer.

If during the guarantee period and under normal conditions of use, the Product should fail to work correctly due to defects of design, material or manufacture, the authorised distributor of the country where the HI-TECH Product or technical assistance service has been purchased shall repair or replace the Product in accordance with what is established in the following:

CONDITIONS

- a) The validity of this guarantee will be subject to the presentation of the original invoice issued by the HI-TECH authorised distributor for the sale of the Product along with the Product handed over for repair or replacement, which must show the date of purchase and the serial number. HI-TECH reserves the right to refuse to give the guarantee service when the indicated data fail to appear on the invoice or have been modified after the purchase of the Product.
- b) The repaired or replaced Product will continue to maintain the original guarantee for the time remaining until the end of the guarantee or for three (3) months from the repair date, if the remaining period of the original guarantee were shorter.
- c) This guarantee will not be applied to the faults in the Product caused by its faulty installation, the natural wear and tear of the components, any use other than that considered normal for this Product or which should fail to strictly comply with the instructions of use provided by HI-TECH; due to accident, carelessness, adjustments, alterations or modifications of the Product not authorised by HI-TECH or due to the use of accessories, heating devices, pumping equipment and/or dispensers that have not been approved or manufactured by HI-TECH.
- d) The guarantee applicable to the components and accessories forming part of the Product and which have not been made by HI-TECH will be limited to the guarantee offered by the original manufacturer thereof.
- e)

HI-TECH WILL NOT RECOGNISE ANY EXPRESS ORAL OR WRITTEN GUARANTEES OTHER THAN THIS PRINTED LIMITED GUARANTEE. ALL IMPLICIT GUARANTEES, INCLUDING, WITHOUT LIMIT, ADAPTATION FOR A SPECIFIC USE, ARE SUBJECT TO THE DURATION OF THIS WRITTEN GUARANTEE. HI-TECH DOES NOT ASSUME ANY KIND OF COMMITMENT OR RESPONSIBILITY FOR ALL POSSIBLE DAMAGE OR EXPENSE CAUSED BY FAULTS IN THE OUTPUT OF THE PRODUCT, ITS WORKING OR THE DISPENSING OF MATERIAL THROUGH THE PRODUCT, INCLUDING, WITHOUT LIMITATION, ALL EXPENSES CAUSED BY DAMAGE TO PEOPLE OR PROPERTY. EQUALLY, HI-TECH WILL IN NO CASE ACCEPT LIABILITY FOR THE LOSS OF SPECULATIVE PROFITS OR COMMERCIAL LOSSES. ALL REPAIRS OR REPLACEMENT OF FAULTY PRODUCTS WILL CONSTITUTE THE COMPREHENSIVE FULFILMENT OF HI-TECH'S OBLIGATIONS WITH RESPECT TO THE CLIENT. HI-TECH DOES NOT IN ANY WAY GUARANTEE THE SUITABILITY OR APTITUDE OF ITS PRODUCT FOR ANY PARTICULAR PURPOSE OR APPLICATION.

All information provided on components which have not been manufactured by HI-TECH and which is based on reports received from the original manufacturer, though considered precise and reliable, is provided without any guarantee or responsibility of any explicit or implicit kind.

All concession, sale or financial leasing of the Product by HI-TECH in no case explicitly or implicitly constitutes any authorisation, acceptance or concession for the use of any rights or patents, nor does it encourage, nurture or back their infringement.

The restrictions on the guarantee suppose no limitation on the legal rights of the consumer established in applicable national legislation, nor do they affect any rights derived from the bargain and sale agreement between the consumer and supplier.



All information provided in this manual has been included in the confidence that it is true, although it does not constitute any responsibility or implicit or explicit guarantee. HI-TECH reserves the right at any time and without prior warning to make all improvements and modifications necessary to this manual, in order to rectify any possible typographical errors, increase the information contained or insert the changes caused to the characteristics and performance of the unit.

SAFETY AND HANDLING

The equipment described in this manual has been designed and manufactured in compliance with the following European Directives, following as application guide the harmonized standards detailed and in conformity with the relevant UK Statutory Instruments (and their amendments):

2006/42/EC Machinery Directive

2014/35/EU Low Voltage Directive

2014/30/EU EMC Directive

2011/65/EU RoHS Directive with amendment 2015/863

2012/19/EU Directive on waste electrical and electronic equipment

Standards used:

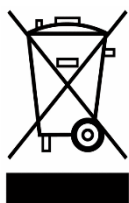
EN ISO 12100:2010

EN 60204-1:2018

EN IEC 61000-6-4:2019

EN IEC 61000-6-2:2019

EN IEC 63000:2018



Electrical products cannot be thrown out with the rubbish. They must be taken to a dedicated collection point for an environmentally sound disposal in accordance with local regulations. You must contact your local collective or retailer for information about recycling. Before leaving WEEE at appropriate collection facilities, batteries must be removed and disposed of separately for proper recycling. The packaging materials are recyclable. Dispose of packaging materials in an environmentally sound manner and place them at the disposal of recycling sectors.

TRANSPORT AND STORAGE

Proper precautions must be taken so that the equipment can withstand the effects of transport and storage temperatures between -25°C and +55°C or up to +70°C for short periods that do not exceed 24 hours. Also, appropriate means to prevent damage from moisture, vibrations or shocks must be foreseen.



Parts Manual

This chapter contains information on the safety, handling and use of the **G-CONNECT** series metering unit.



Before installing the unit and starting it up, carefully read all the technical and safety documentation included in this manual. Pay special attention to the information to know and understand the operation and the conditions of use of the unit. All of the information is aimed at enhancing User Safety and avoiding possible breakdowns derived from the incorrect use of the unit.

¡WARNING! Establishes information to alert on a situation that might cause serious injuries if the instructions are not followed.

¡PRECAUTION! Establishes information that indicates how to avoid damage to the unit or how to avoid a situation that could cause minor injuries.

NOTE: is relevant information on a procedure being carried out.

Careful study of this manual will enable the operator to know the characteristics of the unit and the operating procedures. By following the instructions and recommendations contained herein, you will reduce the potential risk of accidents in the installation, use or maintenance of the unit; you will provide a better opportunity for incident-free operation for a longer time, greater output and the possibility of detecting and resolving problems fast and simply.

Keep this Service Manual for future consultation of useful information at all times. If you lose this manual, ask for a new copy from your **HI-TECH** local distributor or directly contact **HI-TECH SPRAY EQUIPMENT**.

¡WARNING! The design of the G-Connect and G-Connect+ dosing unit does not allow it to be used in potentially explosive atmospheres or to exceed the pressure and temperature limits described in the technical specifications of this manual.



When working with the unit, it is recommended that the operator wear suitable clothing and elements of personal protection, including, without limitation, gloves, protective goggles, safety footwear and face masks. Use breathing equipment when working with the machine in enclosed spaces or in areas with insufficient ventilation. The introduction and follow-up of safety measures must not be limited to those described in this manual. Before starting up the machine, a comprehensive analysis must be made of the risks derived from the products to be dispensed, the type of application and the working environment



To prevent all possible bodily harm caused by incorrect handling of the raw materials and solvents used in the process, carefully read the safety information provided by your supplier.

Deal with the waste caused according to current regulations.



Disconnect the unit from the power supply before carrying out any operation inside the electrical console.

The electrical maintenance of the machine must only be performed by a qualified electrician.



To avoid damage caused by the impact of pressurized fluids, do not open any connection or perform maintenance work on components subject to pressure until the pressure has been completely eliminated.

Use suitable protection when operating, maintaining or remaining in the operating area of the unit. This includes, but is not limited to, the use of masks, protective goggles, gloves, shoes and safety clothing.



The unit includes components that reach temperatures that are liable to cause burns. The hot parts of the unit must not be handled until they have cooled.



To prevent serious harm by crushing or loss of limbs, do not work with the unit without the safety guards installed on all moving parts. Make sure that all of the safety protections are correctly reinstalled after all repair or maintenance work is completed.



PROPORTIONING UNIT “G-CONNECT”

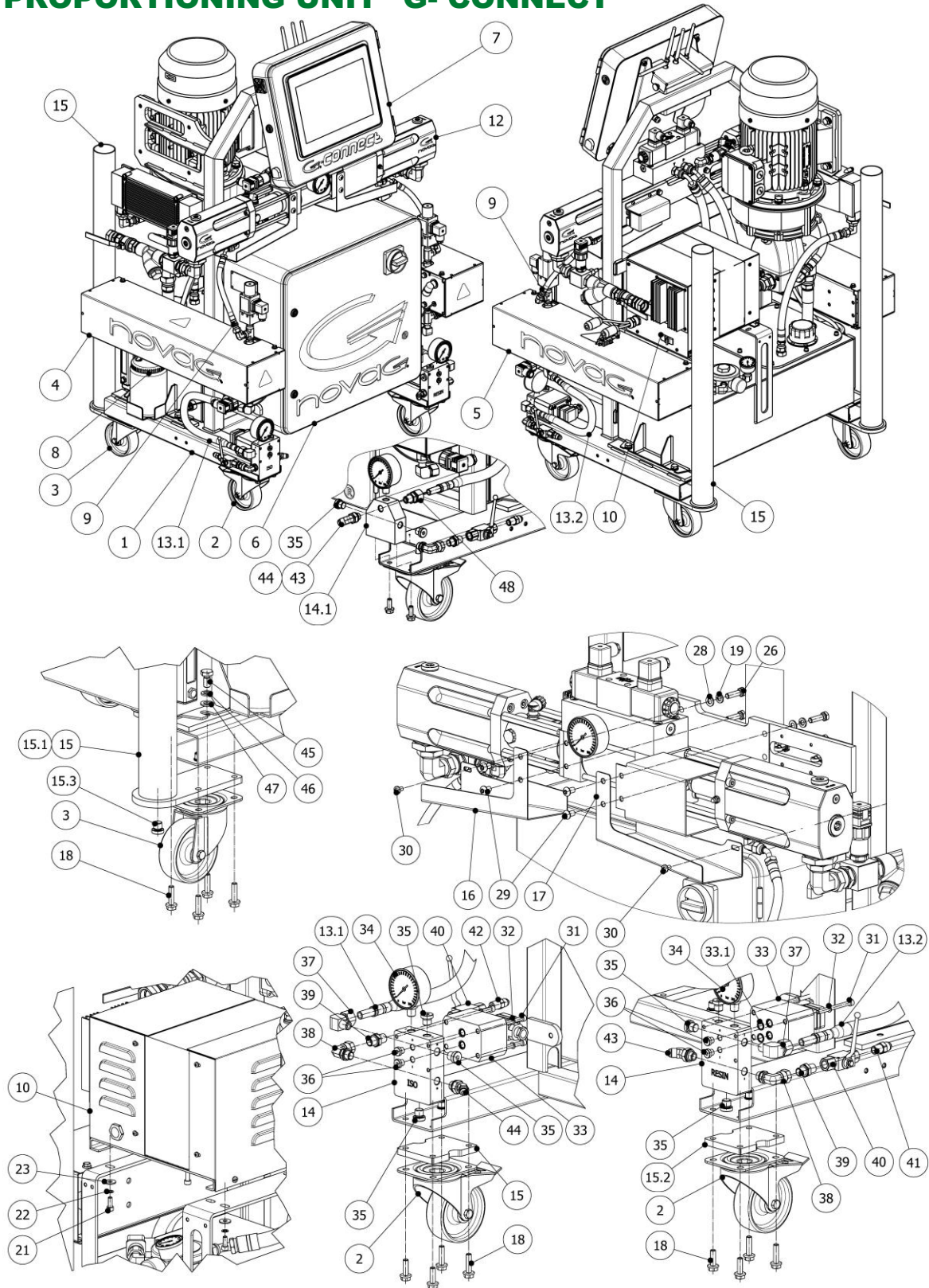


Figure 1. Proportioning Unit “G-Connect” and “G-Connect+”



Table 1. Proport. Unit “G-Connect” and “G-Connect+”, Parts List

Item	Description	Part Number	Qty.
1	Frame Assembly	NMQ-21001-00	1
2	Front Wheel with Brake	MQ-01002	2
3	Back Wheel	MQ-01016	2
4	A Primary Heater	See Table 2	1
5	R Primary Heater	See Table 4	1
6	Electrical Components Cabinet	See Table 10	1
7	Control Console Assembly “G-Connect”	NEL-00293	1
	Control Console Assembly “G-Connect+”	NEL-00307	
8	Lube Reservoir	MQ-01022	1
9	Pump/Heater Hose	MA-00212	2
10	Hose Transformer	EL-00127-24	1
12	Pump Line Assembly	NPU-06400-012G	1
13.1	ISO Hose, Heater - Distributor	MA-00213	1
13.2	POL Hose, Heater - Distributor	MA-00214	1
14	Flow meter Manifold (OPTIONAL)	MQ-21008	2
14.1	Outlet Manifold without Flow meter (STANDARD)	MQ-21012-01	
15	Transfer Pump Support Assy (OPTIONAL)	NMQ-01015-00	1
15.1	Rear Support (included in item15)	NMQ-01015-04	2
15.2	Front Plate (included in item15)	NMQ-01015-03	2
15.3	Plug (included in item15)	RA-00013	2
16	ISO Drip Pan	MQ-21005	1
17	POL Drip Pan	MQ-21006	1
18	Hex. Flange Cap Screw	TN-00504	16
	Hex. Flange Screw (with Transfer pumps sup.)	TN-00523	
19			
20			



Parts Manual

Item	Description	Part Number	Qty.
21	Hex. Cap Screw	TN-00453	4
22	Washer	TN-00025	4
23	Washer	TN-00395	4
25			
26	Hex. Cap Screw	TN-00054	4
27	Washer	TN-00028	4
28	Washer	TN-00119	4
29	“ULS” Cap Screw	TN-00237	4
30	“ULS” Cap Screw	TN-00248	2
31	Allen Cap Screw (OPCIONAL)	TN-00178	8
32	Washer (OPCIONAL)	TN-00048	8
33	Flow meter (OPCIONAL)	EL-00079-01	2
33.1	O-ring (included in Pos. 33) 2x Flow meter	OR-00119	
34	Pressure Gauge	HI-00035	2
35	Plug (without flow meter & recirculation)	RA-00013	2
	Plug (with recirculation & without flow meter)		4
	Plug (with flow meter only)		6
36	Plug (with flow meter only)	RA-00211	4
37	90° Elbow, for Pipe 12 (OPTIONAL)	RA-00038	2
38	90° Swivel Elbow (with recirculation only)	RA-00496	2
	90° Swivel Elbow (without recirculation)		0
39	Male Union (with recirculation only)	RA-00138	2
	Male Union (without recirculation)		0
40	Ball Valve (with recirculation only)	RA-00217	2
	Ball Valve (without recirculation)		0
41	Male Union POL (with recirculation only)	RA-00147	1
	Male Union POL (without recirculation)		0
42	Male Union ISO (with recirculation only)	RA-00146	1
	Male Union ISO (without recirculation)		0



Item	Description	Part Number	Qty.
43	45° Swivel Elbow POL	RA-00041	1
44	45° Swivel Elbow ISO	RA-00042	1
45	Hex. Cap Screw	TN-00465	4
46	Washer	TN-00087	4
47	Washer	TN-00162	4
48	Straight Tube Fitting Ø12 (without flow meter)	RA-00033	2
	Straight Tube Fitting Ø12 (with flow meter)		0



Table 2. Primary Tube Heaters "A" ISO "G-Connect", Reference List

Reference		Description
NCL-21007-00CT	400V	A Primary Heater 6000 W with Transducer / 250 bar – 3500 psi / 400 V
NCL-21007-00FT	230V	A Primary Heater 6000 W with Transducer / 250 bar – 3500 psi / 230 V

Table 3. Primary Round Heaters "A" ISO "G-Connect", Reference List

Reference		Description
NCL-21009-00CT	400V	A Primary Heater 6000 W with Transducer / 250 bar – 3500 psi / 400 V
NCL-21009-00GT	230V	A Primary Heater 6000 W with Transducer / 250 bar – 3500 psi / 230 V

Table 4. Primary Tube Heaters "R" Resin "G-Connect", Reference List

Reference		Description
NCL-21008-00CT	400V	R Primary Heater 6000 W with Transducer / 250 bar – 3500 psi / 400 V
NCL-21008-00FT	230V	R Primary Heater 6000 W with Transducer / 250 bar – 3500 psi / 230 V

Table 5. Primary Round Heaters "R" Resin "G-Connect", Reference List

Reference		Description
NCL-21010-00CT	400V	R Primary Heater 6000 W with Transducer / 250 bar – 3500 psi / 400 V
NCL-21010-00GT	230V	R Primary Heater 6000 W with Transducer / 250 bar – 3500 psi / 230 V



Table 6. Primary Tube Heaters "A" ISO "G-Connect+", Reference List

Reference		Description
NCL-21001-00AT	400V	A Primary Heater 8000 W with Transducer / 250 bar – 3500 psi / 400 V
NCL-21001-00GT	230V	A Primary Heater 8000 W with Transducer / 250 bar – 3500 psi / 230 V

Table 7. Primary Round Heaters "A" ISO "G-Connect+", Reference List

Reference		Description
NCL-21003-00BT	400V	A Primary Heater 9000 W with Transducer / 250 bar – 3500 psi / 400 V
NCL-21003-00FT	230V	A Primary Heater 9000 W with Transducer / 250 bar – 3500 psi / 230 V

Table 8. Primary Tube Heaters "R" POL "G-Connect+", Reference List

Reference		Description
NCL-21002-00AT	400V	R Primary Heater 8000 W with Transducer / 250 bar – 3500 psi / 400 V
NCL-21002-00GT	230V	R Primary Heater 8000 W with Transducer / 250 bar – 3500 psi / 230 V

Table 9. Primary Round Heaters "R" POL "G-Connect+", Reference List

Reference		Description
NCL-21004-00BT	400V	R Primary Heater 9000 W with Transducer / 250 bar – 3500 psi / 400 V
NCL-21004-00FT	230V	R Primary Heater 9000 W with Transducer / 250 bar – 3500 psi / 230 V



Table 10. Electrical Console, Reference List

Reference	Description	Model Machine
NEL-00291	Electrical Console Assy (3PE~400V, 3 Phase Motor, for PLC & Logger)	G-Connect
NEL-00317		G-Connect+
NEL-00291-230	Electrical Console Assy (3PE~230V, 3 Phase Motor, for PLC & Logger)	G-Connect
NEL-00317-230		G-Connect+

Table 11. Flow Meters Kits

Reference	Description	Model Machine
KT-00200 ①	Flow Meters Kit (Spare Part)	G-Connect
		G-Connect+
KT-200-ASSY ②	Flow Meters Kit (factory assembled on machine)	G-Connect
		G-Connect+

① Order only as a spare part.

② Order only for new machines.



ELECTRICAL COMPONENT CABINET

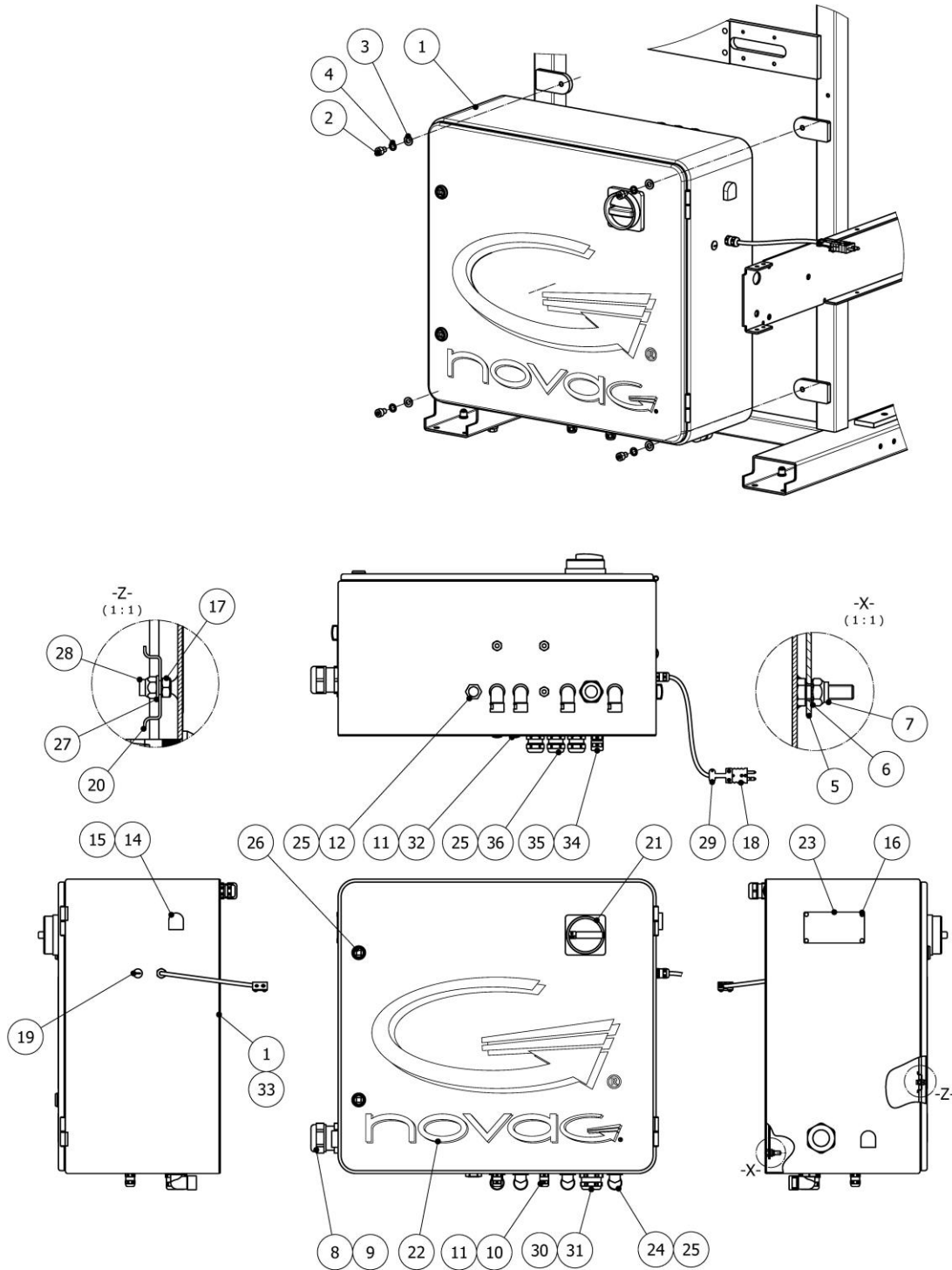


Figure 1. Electrical Component Cabinet, "G-Connect" and "G-Connect+"



Parts Manual

Table 12. Electrical Component Cabinet, “G-Connect” and “G-Connect+”, Parts List

Item	Description	Part Number	Qty.
1	Finished Cabinet Box	NEL-00291-02	1
2	Allen Cap Screw	TN-00186	4
3	Washer	TN-00119	4
4	Washer	TN-00038	4
5	Plain Mounting Plate	EL-00291-A	1
6	Washer	TN-00024	4
7	Lock Nut	TN-00476	4
8	Cable Gland	EL-00088-04	1
9	Nut	EL-00090-05	1
10	Cable Gland	EL-00088-00	4
11	Nut	EL-00090-00	6
12	Plug	EL-00088-03	1
13			
14	Airing Grille	EL-00158-05	2
15	Nut (included in Item 14)	-	-
16	Rivet	TN-00240	4
17	Nut	TN-00107	3
18	Male Connector Type E	EL-00096-84	1
19	Plug	EL-00183	1
20	DIN 35 Rail	EL-00106-00	0.47
21	Main Switch	EL-00107-18	1
	Selector Handle, Red/Ylw	EL-00107-19	1
22	Vinyl	EM-00123	1
23	ID Plate	-	1
24	90° Elbow Cable Gland	EL-00087-01	4
25	Nut	EL-00090-01	8
26	Door Lock Set	EL-00034	2
27	Washer	TN-00103	3



Item	Description	Part Number	Qty.
28	Lock Nut	TN-00486	3
29	Cable Clip	EL-00096-86	1
30	Cable Gland	EL-00088-01	1
31	Nut	EL-00090-03	1
32	Plug	EL-00183	2
33	Rubber Seal	EL-00001-06	2 m
34	Cable Gland	EL-00088-05	1
35	Nut	EL-00090-06	1
36	Cable Gland	EL-00088-02	3



Parts Manual

CONTROL CONSOLE

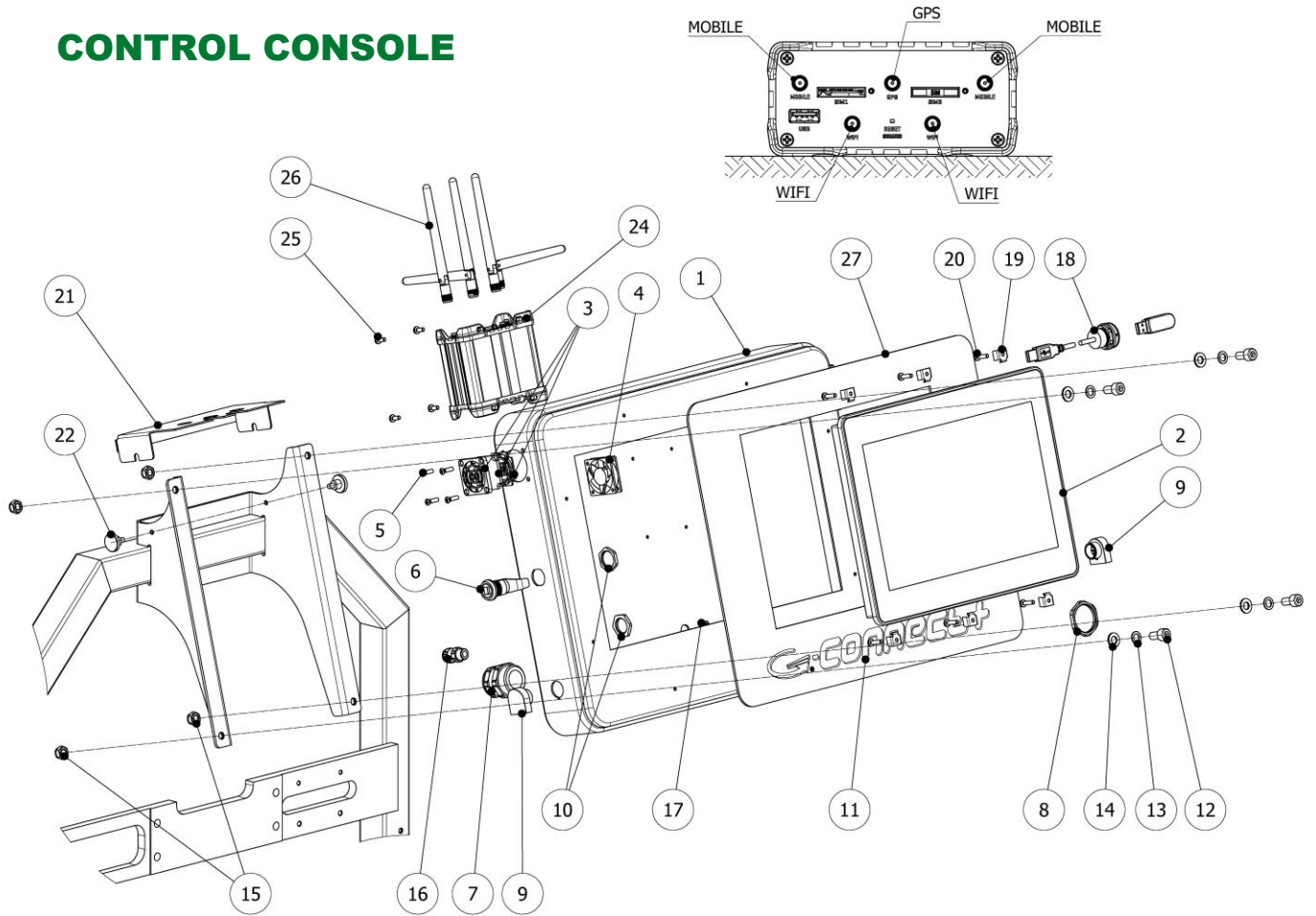


Figure 2. Control Console “G-Connect” and “G-Connect+”

Table 13. Control Console “G-Connect” and “G-Connect+”, Parts List

Item	Description	Part Number	Qty.
1	Cabinet Box with Hinged Door	NEL-00293-01	1
2	Touch Screen 12”	EL-00331	1
3	Airing Grille Assy (with Filter)	EL-00132-02	1
4	Fan	EL-00133-03	1
5	Countersunk Cap Screw	TN-00487	4
6	Lock Set	EL-00034	1
7	Cable Gland	EL-00088-01	1
8	Nut	EL-00090-03	1
9	Airing Grille	EL-00158-05	2
10	Nut (included in Item.9)	-	-



Item	Description	Part Number	Qty.
11(#)	Vinyl “G- Connect”	EM-00124	1
	Vinyl “G-Connect+”	EM-00125	
12	Allen Cap Screw	TN-00186	4
13	Washer	TN-00038	4
14	Washer	TN-00119	4
15	Lock Nut	TN-00283	4
16	Cable Gland	EL-00088-00	1
17	Nut	EI-00090-00	1
18	USB	EL-00078-06	1
19	Bracket	-	6
20	Screw Bracket	-	6
21	Router Cover	MQ-21014	1
22	Cover Screw	TN-00221	2
23			
24	Router	EL-00332	1
25	Router Screw	TN-00239	4
26	Antenna Kit GPS, WIFI & DATA (Include in Item 24)	-	-
27	Screen Frame	NEL-00334	1
28 (*)	Rubber Seal	EL-00001-06	1.5 m

(#) Parts not marked on the drawing.

(*) Parts not marked on the drawing.



HYDRAULIC POWER UNIT 4kW/5.5KW 3PE~400V 50/60Hz (18/28 cc hyd. Pump)

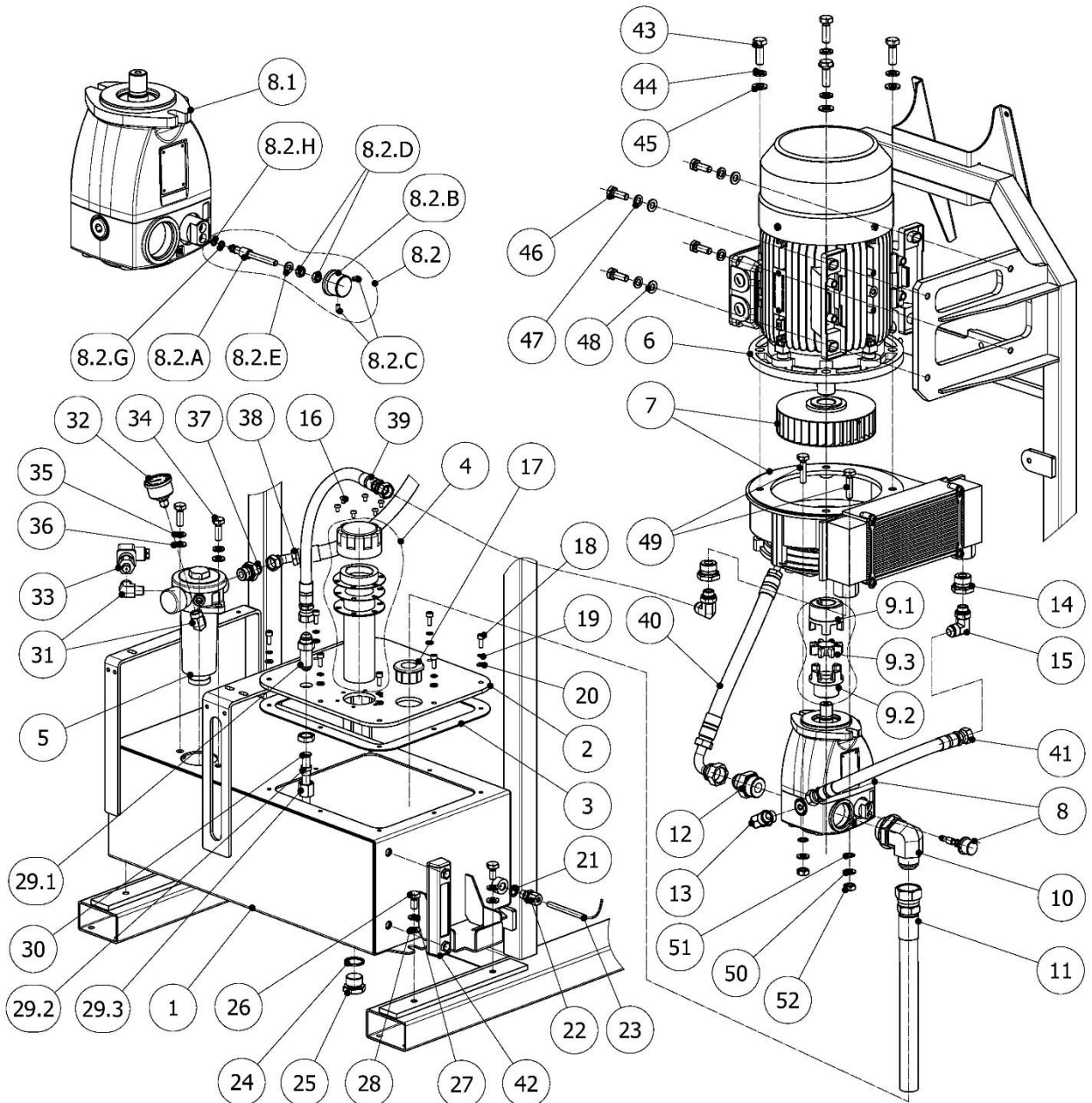


Figure 3. Hydr. Power Unit 3PE~400V 50/60Hz, 4kW/5.5.kW Motor (with 18/28cc Pump)



Table 14. Hydraulic Power Unit 3PE~400V 50/60Hz, 4kW/5kW Motor (with 18/28cc Pump), Parts List

Item	Description	Part Number	Qty.
1	Hydraulic Tank Assembly 28L	NMQ-21002-00	1
2	Hyd. Tank Cover, Motor 4kW/5.5kW, 18/28cc Pump	NMQ-21013-02	1
3	Inspection Cover Gasket	MQ-21004	1
4	Filling Filter Plug	HI-00002	1
5	Hyd. Return Filter	HI-00123	1
6	Motor 4kW 400v 50/60Hz	EL-00138-04	1
	Motor 5.5kW 400v 50/60Hz	EL-00138-01	
7	Bell Housing with oil Cooling, Motor 4kW/5.5kW - 18/28cc	HI-00210	1
8	18cc Pump Assembly with Pressure Regulator	HI-00190-G30H	1
	28cc Pump Assembly with Pressure Regulator	HI-00238-G50H	
8.1	Pump 18cc	HI-00190	1 (°)
	Pump 28cc	HI-00238-00	
8.2	Pressure Regul. Assembly 18/28cc	HI-00149-00	1 (°)
8.2.A	Pressure Regul. bolt 18/28cc (without gaskets and nut)	HI-00149-01	1 (@)
8.2.B	Pressure Regul. knob 18/28cc	GU-02007	1 (@)
8.2.C	Lock Pin 18/28cc	TN-00099	2 (@)
8.2.D	Stop Nut 18/28cc	TN-00108	2 (@)
8.2.E	Washer 18/28cc	TN-00024	1 (@)
8.2.F			
8.2.G	Anti-Extrusion Ring (supplied with pump)	(*)	1
8.2.H	O-Ring (supplied with pump)	(*)	1
9	Elastic Coupling Assembly	HI-00046-00	1
9.1	4kW/5.5kW Motor Side Bushing	HI-00006-02	1 (&)
9.2	18/28cc Pump Side Bushing	HI-00046-01	1 (&)
9.3	Spidex	HI-00006-01	1 (&)
10	Elbow 90°	RA-00568	1
11	Suction Hose	MA-00232	1

(°) Parts included in Item 8.

(@)Parts included in Item 8.2

(*)Parts included in Item 8.1

(&)Parts included in Item 9



Parts Manual

Item	Description	Part Number	Qty.
12	Male Union	RA-00500	1
13	Swivel Elbow 90°	RA-00058	1
14	Reduction	RA-00260	2
15	Swivel Elbow 90°	RA-00558	2
16	ULS Cap Screw	TN-00166	6
17	Rubber Bulkheads	HI-00140	1
18	Allen Cap Screw	TN-00026	8
19	Washer	TN-00025	8
20	Washer	TN-00024	8
21	Metal O-ring	OR-00054	1
22	Fitting	RA-00231	1
23	Temperature Probe	EL-00156-01	1
24	Metal O-ring	OR-00082	1
25	Plug	RA-00022	1
26	Hex. Cap Screw	TN-00465	4
27	Lock Washer	TN-00087	4
28	Washer	TN-00162	4
29	Bulkhead Assy	RA-00060	1
29.1	Bulkhead	RA-00172	1 (\$)
29.2	Ferrule	RA-00173	1 (\$)
29.3	Nut Ferrule	RA-00174	1 (\$)
30	Drainpipe	HI-00212	1
31	Elbow 90° Male-Female	RA-00416	1+1 (#)
32	Safety Pressure Gauge (included in Item.5)	HI-00123	1
33	Safety Pressure Switch (OPTIONAL)		1
34	Hex. Cap Screw	TN-00163	2
35	Lock Washer	TN-00087	2
36	Washer	TN-00162	2
37	Male Union	RA-00316	1
38	Return Hose	HI-00213	1

***(\$)* Parts included in Item 29.**

***(#)* 1 piece standard version and one piece for optional mounting.**



Item	Description	Part Number	Qty.
39	Return Drain Hose	HI-00214	1
40	Pressure Hose	HI-00215	1
41	Drain Hose Pump	HI-00216	1
42	Hyd. Level / Thermometer	HI-00001	1
43	Hex. Cap Screw	TN-00199	4
44	Lock Washer	TN-00039	4
45	Washer	TN-00040	4
46	Hex. Cap Screw	TN-00129	4
47	Lock. Washer	TN-00087	4
48	Washer	TN-00162	4
49	Hex. Cap Screw	TN-00392	2
50	Lock Washer	TN-00145	2
51	Washer	TN-00162	2
52	Hex. Nut	TN-00105	2



REVERSING SWITCH UNIT

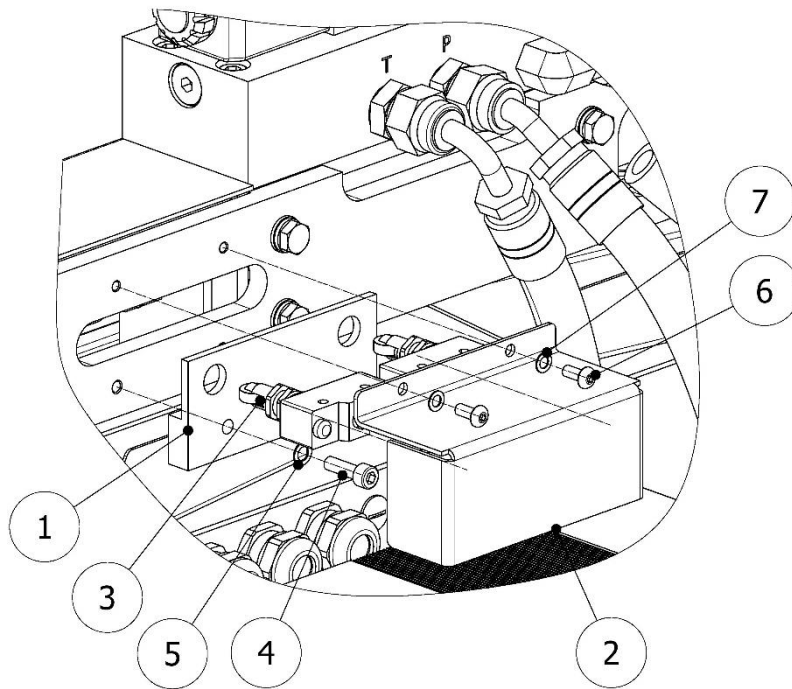


Figure 4. Reversing Switch Unit

Table 15. Reversing Switch Unit, Parts List

Item	Description	Part Number	Qty.
1	Reversing Switch Support	MQ-01005	1
2	Reversing Switch Cover	MQ-01006	1
3	Reversing Switch (with 2 nuts)	EL-00020	2
4	Allen Cap Screw	TN-00026	2
5			
6	ULS Cap Screw	TN-00166	2
7			



LUBE RESERVOIR UNIT

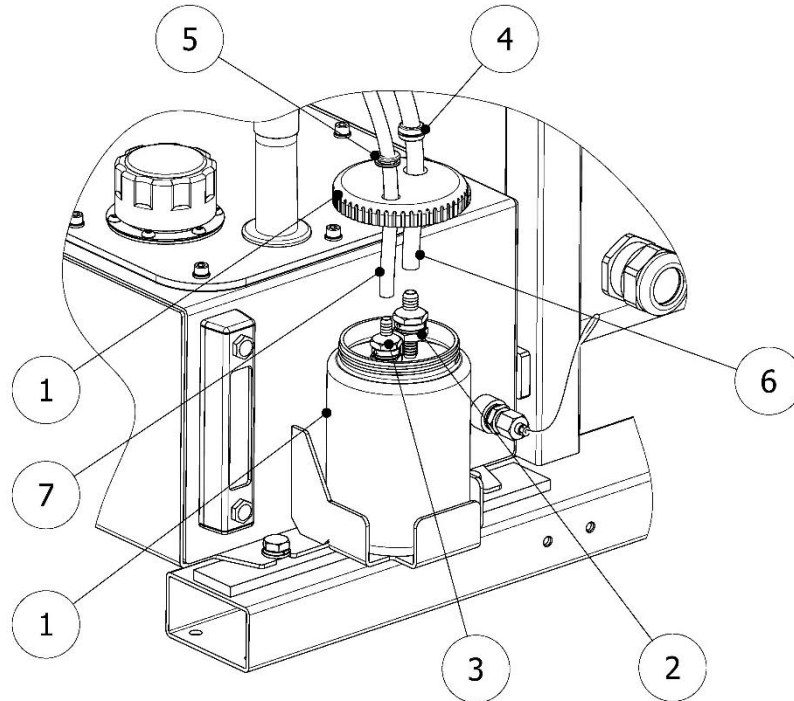


Figure 5. Lube Reservoir Unit

Table 16. Lube Reservoir Unit, Parts List

Item	Description	Part Number	Qty.
1	Lube Reservoir Bottle with Drilled Cap (*)	MQ-01009-01	1
2	Lube Reservoir Check Valve for Pipe 12x1	RA-00068	1
3	Lube Reservoir Check Valve for Pipe 10x1	RA-00283	1
4	Rubber Grommet	EL-00095-03	1
5	Rubber Grommet	EL-00095-01	1
6	Supply Line	MA-00025	1
7	Return Line	MA-00024	1

(*) The tank and cover Item.1 are indivisible, they cannot be supplied separately.



PRODUCT INLET STANDARD VERSION

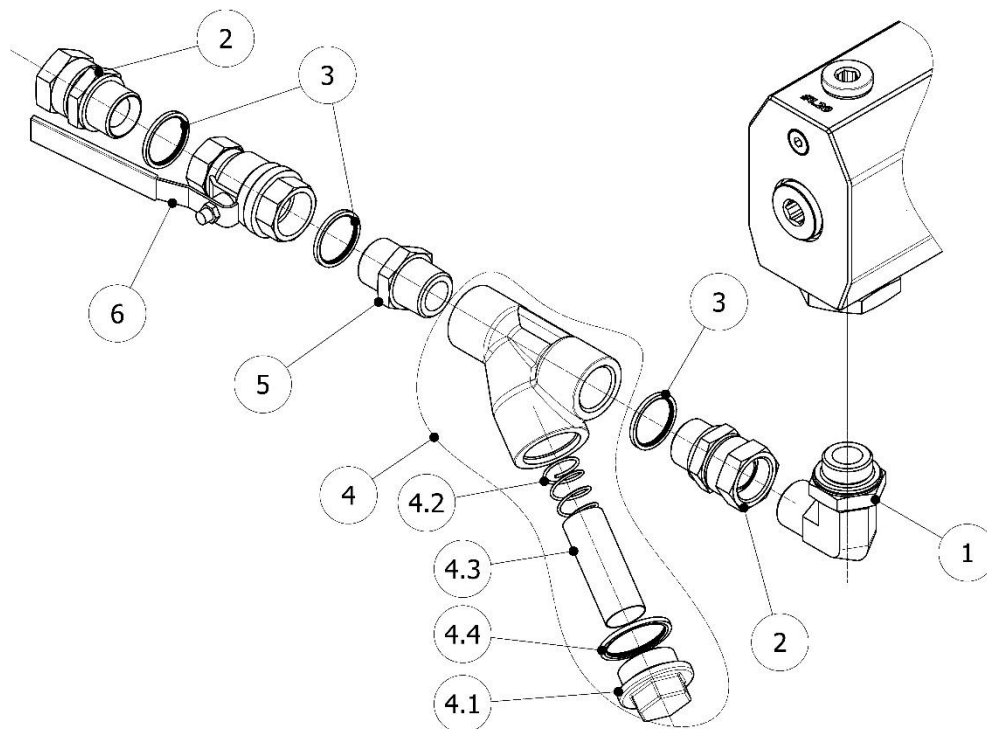


Figure 6. Product Inlet Standard Version

Table 17. Product Inlet Standard Version, Parts List

Item	Description	Part Number	Qty.
1	Swivel Elbow 90°	RA-00072	2
2	Swivel Union	RA-00073	4
3	Metal O-ring	OR-00082	6
4	“Y” Filter	RA-00074-00	2
4.1	Filter Plug	RA-00074-01	2
4.2	Filter Spring	SP-00017	2
4.3	Filter Mesh	RA-00074-03-30	2
4.4	Filter O-ring	OR-00061	2
5	Male Union	RA-00143	2
6	Ball Valve	RA-00078	2

Valid for both products inlet.



PRODUCT INLET MONITORED VERSION

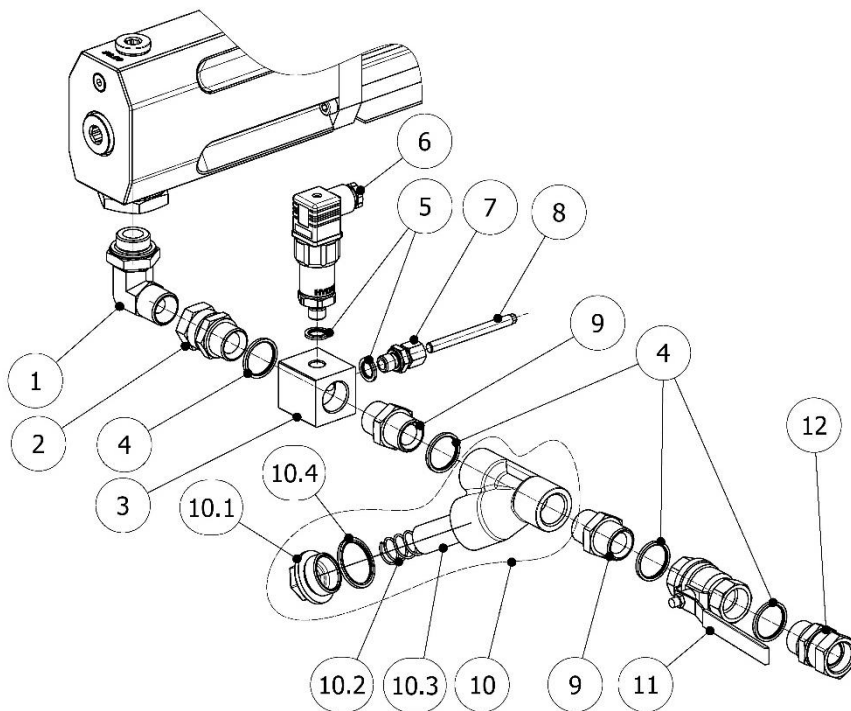


Figure 7. Product Inlet Monitored Version



Table 18. Product Inlet Monitored Version, Parts List

Item	Description	Part Number	Qty.
1	Swivel Elbow 90°	RA-00072	2
2	Swivel Union	RA-00073	2
3	Sensor Block	MQ-21003	2
4	Metal O-ring	OR-00082	8
5	Metal O-ring	OR-00054	4
6	Pressure Transducer	HI-00033	2
7	Fitting	RA-00231	2
8	Temperature Probe	EL-00156-01	2
9	Male Union	RA-00143	4
10	“Y” Filter	RA-00074-00	2
10.1	Filter Plug	RA-00074-01	2
10.2	Filter Spring	SP-00017	2
10.3	Filter Mesh	RA-00074-03-30	2
10.4	Filter O-ring	OR-00061	2
11	Ball Valve	RA-00078	2
12	Swivel Union	RA-00073	2

Valid for both product inlet. Quantities are totals per machine.

Table 19. Product Inlet Kits

Reference	Description	Model Machine
KT-00201 ①	Temperature and Pressure inlet control kit (Spare Part)	G-Connect
		G-Connect+
KT-201-ASSY ②	Temperature and Pressure inlet control kit (factory assembled on machine)	G-Connect
		G-Connect+

① Order only as a spare part.

② Order only for new machines.



PUMP LINE ASSEMBLY

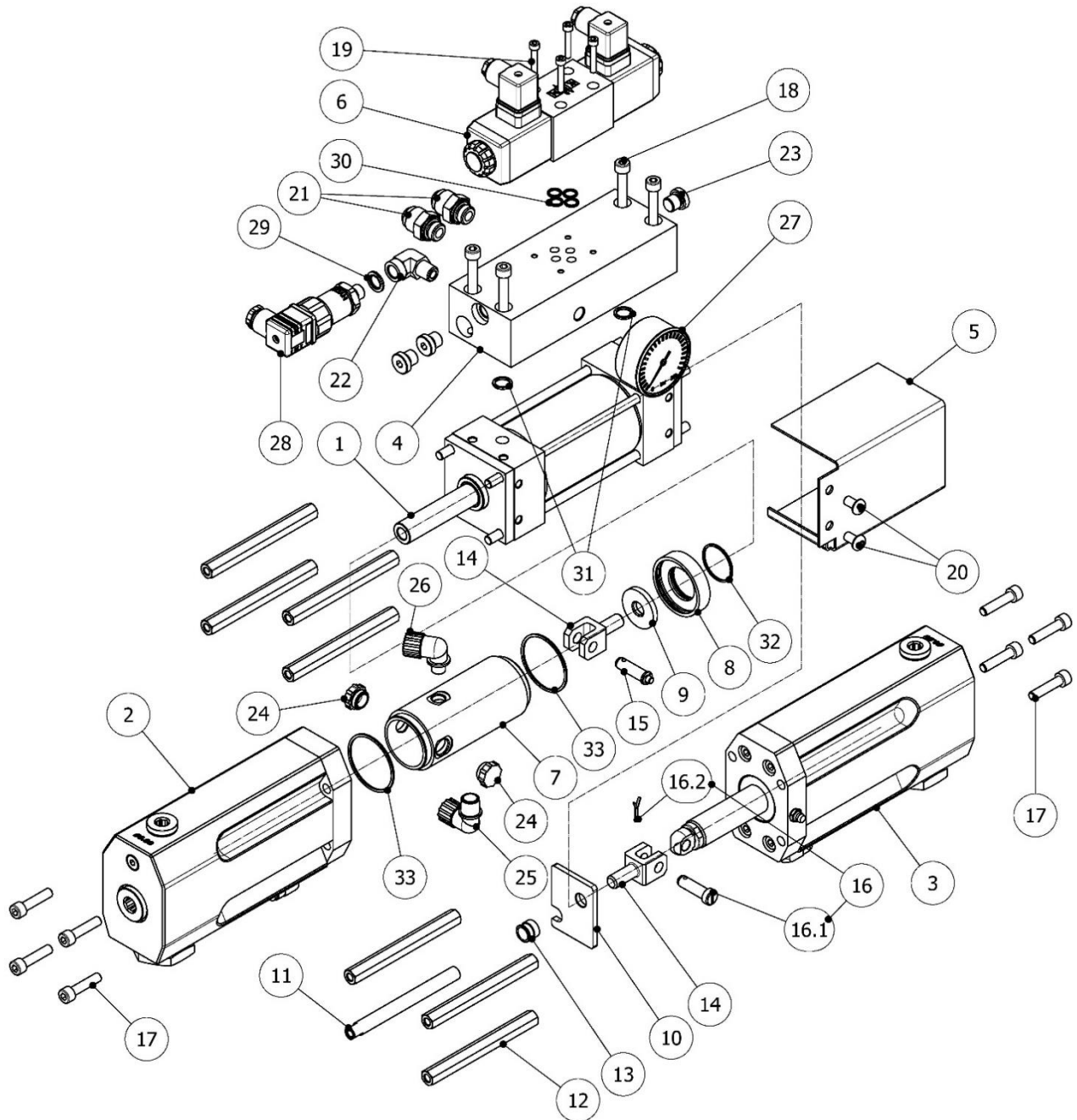


Figure 8. Pump Line Assembly



Parts Manual

Table 20. Pump Line Assembly, Parts List

Item	Description	Part Number	Qty.
1	Hydraulic Cylinder	HI-00101-00	1
2	“A” Isocyanate Proportioning Pump	See Table 21	1
3	“R” Resin Proportioning Pump	See Table 21	1
4	Hydr. Manifold (STANDARD)	MQ-01007	1
5	Activator Plate Protection Cover	PU-01027	1
6	Directional Valve	HI-00054	1
7	ISO Pump Lubricator Jacket	PU-01018	1
8	Lube Cylinder Adapter Plate	PU-01021	1
9	Baffle	PU-01019	1
10	Reversion Switch Activation Plate	PU-01023	1
11	Bushing Guide Spacer	PU-01026	1
12	Cylinder Spacer	PU-01025	7
13	Bushing	PU-01022	1
14	Cylinder Axle Fork	PU-01043	2
15	Pin Assembly, ISO Pump (incl.15.1+15.2+15.3)	PU-01044-00	1
15.1	Clevis Pin (included in Pos.15)	PU-01044-01M	1
15.2	Lock Washer (included in Pos.15)	TN-00136	1
15.3	Washer (included in Pos.15)	TN-00024	1
16	Clevis Pin Assembly, Resin Pump (incl.16.1+16.2)	PU-01045-00	1
16.1	Clevis Pin (included in Pos.16)	PU-01045-01	1
16.2	Split Pin (included in Pos.16)	TN-00077	1
17	Allen Cap Screw	TN-00245	8
18	Allen Cap Screw	TN-00090	4
19	Screw	TN-00148	4
20	ULS Cap Screw	TN-00135	2
21	Male Union	RA-00062	2
22	Swivel Elbow 90° (OPTIONAL)	RA-00416	1
23	Plug	RA-00013	3
24	Plastic Plug	RA-00116	1
25	Plastic Swivel Elbow	RA-00489	1



Item	Description	Part Number	Qty.
26	Plastic Swivel Elbow	RA-00066	1
27	Hydr. Pressure Gauge	HI-00078	1
28	Pressure Transducer (OPTIONAL)	HI-00033	1
29	Metal O-ring (OPTIONAL)	OR-00054	1
30	O-Ring	OR-00035	4
31	O-Ring	OR-00019	2
32	O-Ring	OR-00021	1
33	O-Ring	OR-00020	2

OPTIONAL parts only upon express request.

Table 21. Proportioning Pump Size, Parts List

SIZE	Proportioning Pump Size	
	item 2 (ISO Pump)	item 3 (POL Pump)
1.20	NPU-06401-012G	NPU-06402-012G
0.80	NPU-06401-008G	NNPU-06402-008G

Note: (*) The standard proportioning pump size is #1.20. Different sizes are available under order. For delivery time, please consult with marketing department.



Table 22. Hydraulic Cylinder, Parts List

Item	Description	Part Number	Qty.
1	Cylinder Body	HI-00025-05	1
2	Port Block	HI-00101-04	2
3	Rod Bushing	HI-00101-03	2
4	Front Plate	HI-00025-02	2
5	Rod Wiper	OR-00095	2 (#)
6	Shaft Seal	OR-00096	2 (#)
7	O-Ring	OR-00039	2 (#)
8	O-Ring	OR-00040	2 (#)
9	Piston O-Ring	OR-00041-00	1 (#)
10	Hydraulic Cylinder Tie Rod	HI-00025-06	4
11	Nut (*)	TN-00029	8
13	O-Ring Anti Extrusion	OR-00063	2 (#)
14	Piston	HI-00101-01	1

(*) Only when the cylinder is supplied as a spare part. Not included in the Pump Line fitted in the machine.

The indicated parts (#) are included in the repair seal kit KT-00010-01.



“A” PROPORTIONING PUMP ASSEMBLY

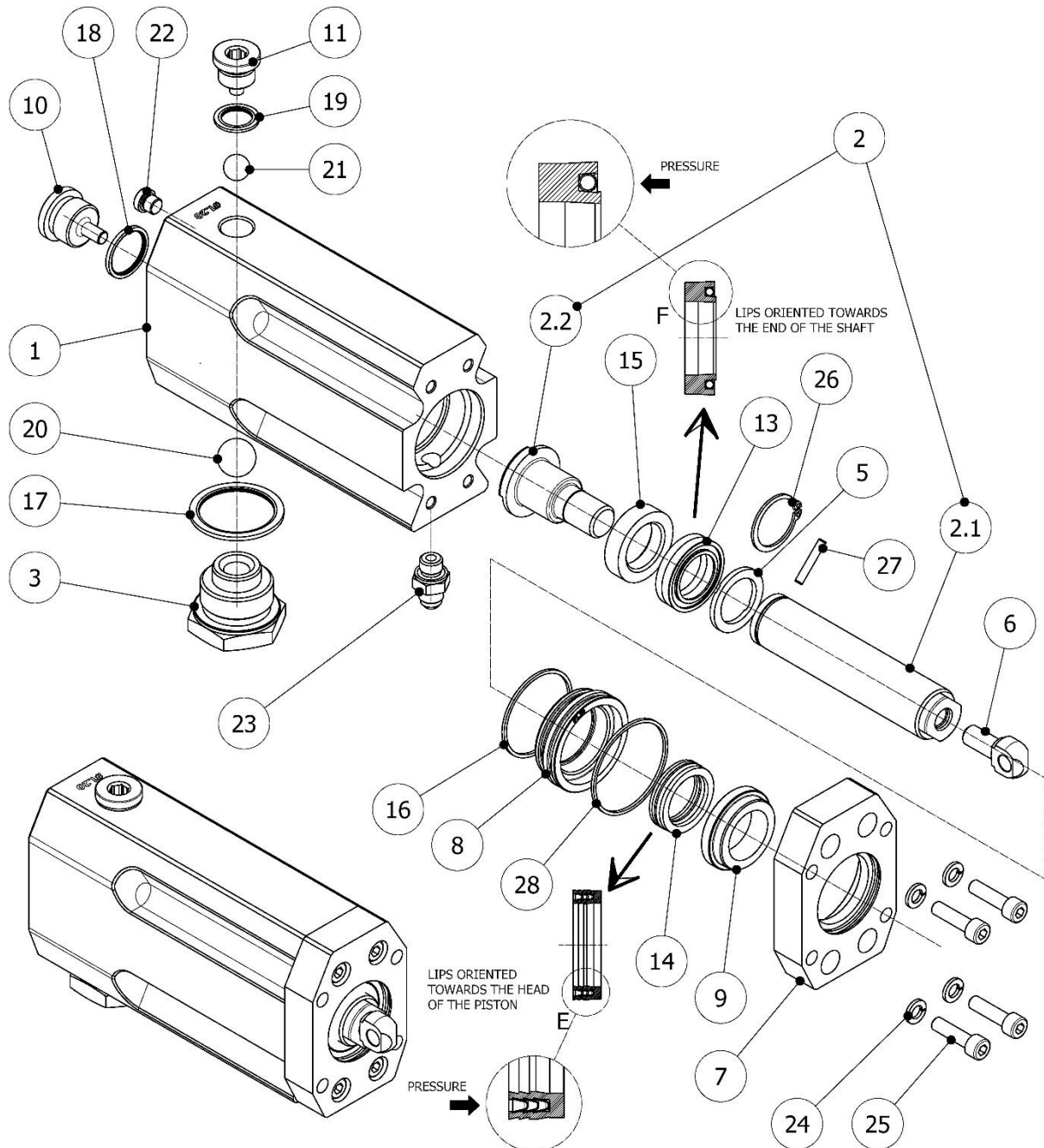


Figure 10. “A” Proportioning Pump Assembly



Table 23. “A” Proportioning Pump Assembly, Parts List

Item	Description	Part Number	Qty.
1	Body Pump with Check Valve Seat	See Table 24	1
2	Piston Rod Assembly (Only item. 2.1 y 2.2)	See Table 24	1
2.1	Piston Rod (Included in item 2)	See Table 24	1 (#)
2.2	Piston Head (Included in item 2)	See Table 24	1 (#)
3	Inlet Ball Seat Assembly	PU-01003-0J	1
4			
5	Piston Seal	See Table 24	1
6	Pump Clevis	PU-01042	1
7	Monobloc Flange Pump – ISO	NPU-06004	1
8	Seat Seal – ISO	See Table 24	1
9	Bearing ISO	See Table 25	1 (*)
10	Plug Side Pump	PU-01003-0E	1
11	Upper Plug Pump	PU-01003-0F	1
12			
13	Piston Seal	See Table 25	1 (*)
14	Cylinder Seal	See Table 25	1 (*)
15	Piston Guide	See Table 25	1 (*)
16	O-Ring	See Table 25	1 (*)
17	Metallic Ring	OR-00088	1
18	Metallic Ring	OR-00082	1
19	Metallic Ring	OR-00023	1
20	Lower Ball	TN-00013	1
21	Upper Ball	TN-00012	1
22	Plug	RA-00211	1
23	Output Elbow	RA-00050	1
24	Washer	TN-00028	4
25	Allen Screw	TN-00062	4
26	Seeger Ring	See Table 24	1
27	Pin	See Table 24	1
28	O-Ring	See Table 25	1 (*)

NOTE: The parts marked with (*), are included in the repair seal kit of “A” pump (see Table 26).

The parts marked with (#), are not supplied separately.



Table 24. “A” Proportioning Pump Assembly, Parts List

Pump	Item 1	Item 2 (2.1 + 2.2)	Item 2.1	Item 2.2
1.20	NPU-06001-012	PU-01006-012	PU-01007-012	PU-01008-012
0.80	NPU-06001-008	PU-01006-008	PU-01007-008	PU-01008-008

Pump	Item 5	Item 8	Item 26	Item 27
1.20	PU-01010-012	PU-06009-012G	TN-00070	TN-00086
0.80	PU-01010-008	PU-06009-008G	TN-00067	TN-00085

Table 25. Seals Monobloc “A” ISO Pump, Parts List

Item	1.20	0.80
9	PU-06007-012	PU-06007-008
13	PU-01016-012A	PU-01016-008A
14	PU-01017-012G	PU-01017-008G
15	PU-01014-012A	PU-01014-008A
16	OR-00009	OR-00009
28	OR-00115	OR-00115

Table 26. Repair Seal Kit “A” ISO Pump, Ref.List

Pump	Item
1.20	KT-00157
0.80	KT-00159

Note:

The standard proportioning pump sizes is #1.20. Different sizes are available under order. For delivery time, please consult with marketing department.

The Repair seal kit include the parts indicated in the Table 23.



"R" PROPORTIONING PUMP ASSEMBLY

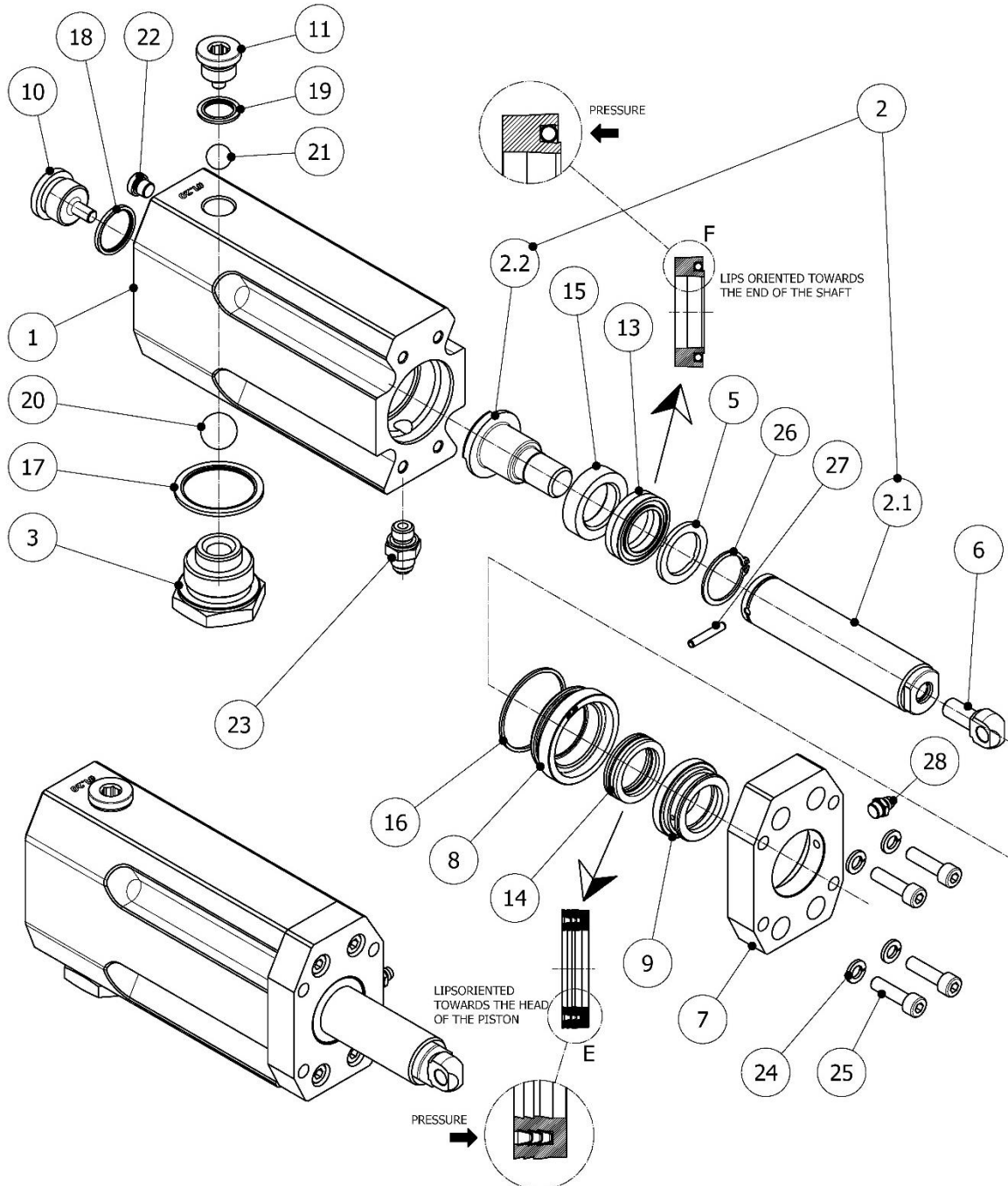


Figure 11. "R" Proportioning Pump Assembly



Parts Manual

Table 27. “R” Proportioning Pump Assembly, Parts List

Item	Description	Part Number	Qty.
1	Body Pump with Check Valve Seat	See Table 28	1
2	Piston Rod Assembly (Only item. 2.1 y 2.2)	See Table 28	1
2.1	Piston Rod (Included in item 2)	See Table 28	1 (#)
2.2	Piston Head (Included in item 2)	See Table 28	1 (#)
3	Inlet Ball Seat Assembly	PU-01003-0J	1
4			
5	Piston Seal	See Table 28	1
6	Pump Clevis	PU-01042	1
7	Monobloc Flange Pump – POL	NPU-06005	1
8	Seat Seal – POL	Ver Table 28	1
9	Bearing ISO	Ver Table 29	1 (*)
10	Plug Side Pump	PU-01003-0E	1
11	Upper Plug Pump	PU-01003-0F	1
12			
13	Piston Seal	See Table 29	1 (*)
14	Cylinder Seal	See Table 29	1 (*)
15	Piston Guide	See Table 29	1 (*)
16	O-Ring	See Table 29	1 (*)
17	Metallic Ring	OR-00088	1
18	Metallic Ring	OR-00082	1
19	Metallic Ring	OR-00023	1
20	Lower Ball	TN-00013	1
21	Upper Ball	TN-00012	1
22	Plug	RA-00211	1
23	Exit Elbow	RA-00050	1
24	Washer	TN-00028	4
25	Allen Screw	TN-00062	4
26	Seeger Ring	See Table 28	1
27	Pin	See Table 28	1
28	Grease Fiting	TN-00073	1

Nota.: The parts marked with (*), are included in the repair seal kit of “R” (see Table 30).

The parts marked with (#), are not supplied separately.



Table 28. “R” Proportioning Pump Assembly, Parts List

Pump	Item 1	Item 2 (2.1 + 2.2)	Item 2.1	Item 2.2
1.20	NPU-06001-012	PU-01006-012	PU-01007-012	PU-01008-012
0.80	NPU-06001-008	PU-01006-008	PU-01007-008	PU-01008-008

Pump	Item 5	Item 8	Item 26	Item 27
1.20	PU-01010-012	PU-06006-012G	TN-00070	TN-00086
0.80	PU-01010-008	PU-06006-008G	TN-00067	TN-00085

Table 29. Seals Monobloc “R” Resin Pump, Parts List

Ítem	1.20	0.80
9	PU-06008-012	PU-06008-008
13	PU-01016-012A	PU-01016-008A
14	PU-01017-012G	PU-01017-008G
15	PU-01014-012A	PU-01014-008A
16	OR-00009	OR-00009

Table 30. Repair Seal Kit “R” Resin Pump, Ref. List

Pump	Item
1.20	KT-00158
0.80	KT-00160

Note:

(#) The standard proportioning pump size is #1.20. Different sizes are available under order. For delivery time, please consult with marketing department.

The Repair seal kit include the parts indicated (*) in the Table 27.



PRIMARY TUBE HEATER G-CONNECT

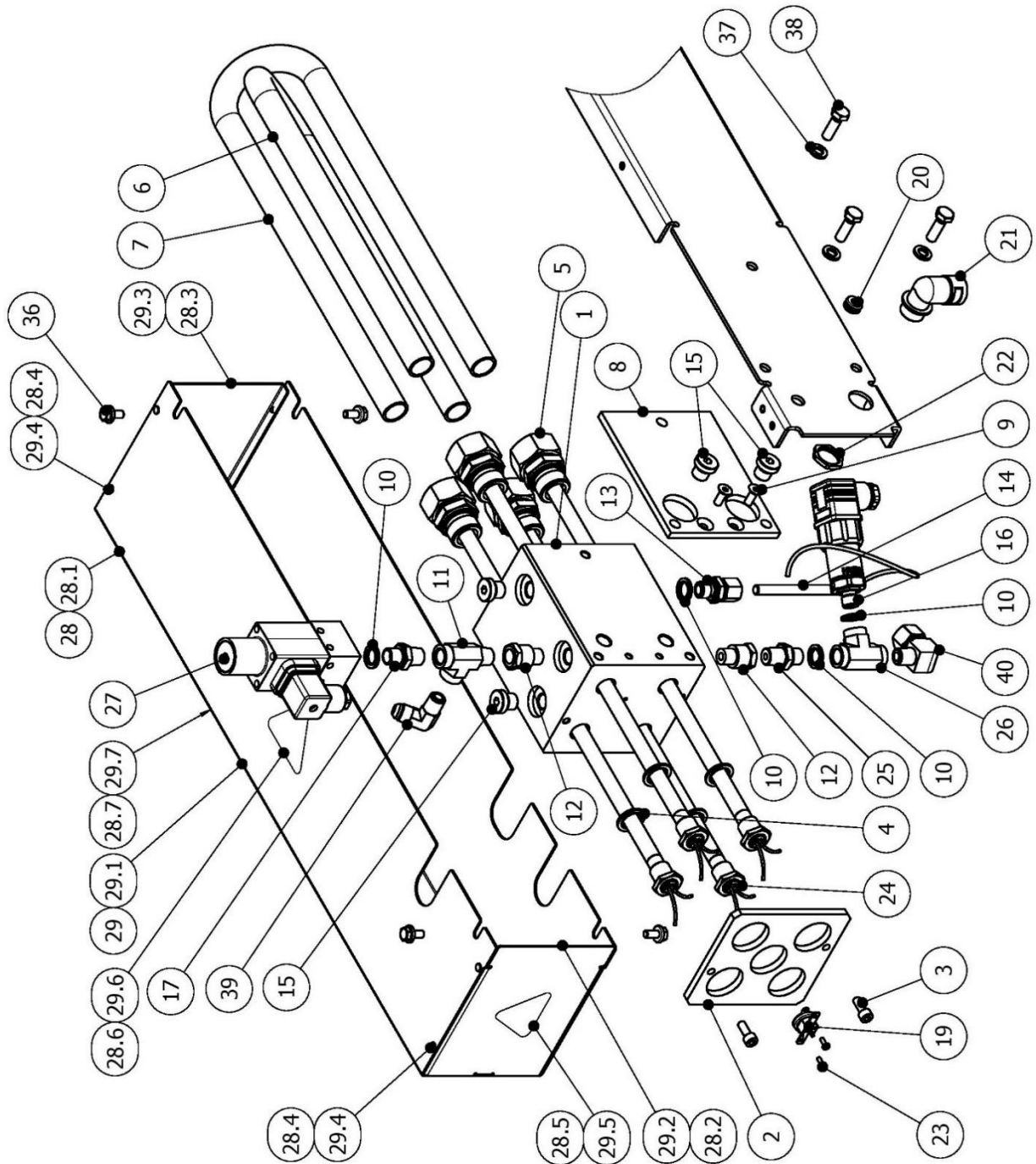


Figure 12. Primary Tube Heater G-Connect



Table 31. Primary Tube Heater G-Connect, Parts List

Item	Description	Part Number	Qty.
1	Heater Block	NCL-03001-02A	1+1
2	Front Insulate Plate	NCL-03001-03A	1+1
3	Screw	TN-00061	2+2
4	Metal O-Ring	OR-00018	4+4
5	Male Connector for Pipe	RA-00468	4+4
6	Short Pipe	NCL-03001-06	1+1
7	Long Pipe	NCL-03001-05	1+1
8	Side Insulator Plate	NCL-03001-04	1+1
9	Screw	TN-00322	2+2
10	Metal O-Ring	OR-00054	4+4
11	“T” Adapter	RA-00018	1+1
12	Extension Nipple	RA-00077	2+2
13	Fitting	RA-00231	1+1
14	Temperature Probe	EL-00156-01	1+1
15	Plug	RA-00013	4+4
16	Pressure Transducer	HI-00033	1+1
17	Male Union	RA-00138	1+1
18			
19	Thermal Limit Switch	EL-00006	1+1
20	Grommet	EL-00095-00	1+1
21	90° Elbow for Cable Gland	EL-00087-01	1+1
22	Nut	EL-00090-01	1+1
23	Screw	TN-00128	2+2
24	Resistance	See Table 32	4+4
25	Male Union	RA-00138	1+1
26	“T” Adapter	RA-00053	1+1
27	Pressure Switch	HI-00021	1+1
28	Heater Protection Assy. (includes from Item.28.1 to 28.7)	NCL-21001-01	1
28.1	Heater Housing (included in item 28)	CL-21001-01A	1
28.2	Heater Front Cover (included in item 28)	CL-21001-01C	1
28.3	Heater Rear Cover (included in item 28)	CL-21001-01D	1



Parts Manual

Item	Description	Part Number	Qty.
28.4	Rivet (included in item 28)	TN-00240	10
28.5	Warning Voltage (included in item 28)	EM-00016	1
28.6	Warning Temperature (included in item 28)	EM-00018	1
28.7	G-CONNECT Tag (included in item 28)	EM-00122	1
29	Heater Protection Assy. (includes from Item 29.1 to 29.7)	NCL-21002-01	1
29.1	Heater Housing (Included in Item 29)	CL-21002-01A	1
29.2	Heater Front Cover (included in Item 29)	CL-21001-01C	1
29.3	Heater Rear Cover (included in Item 29)	CL-21001-01D	1
29.4	Rivet (included in Item 29)	TN-00240	10
29.5	Warning Voltage (included in Item 29)	EM-00016	1
29.6	Warning Temperature (included in Item 29)	EM-00018	1
29.7	G-CONNECT Tag (included in Item 29)	EM-00122	1
35	Washer	TN-00024	4+4
36	Hex. Cap Screw	TN-00438	4+4
37	Lock Nut	TN-00028	3+3
38	Hex. Cap Screw	TN-00146	3+3
39	Elbow Union 90°	RA-00044	1+1
40	Elbow Union 90° for Pipe	RA-00038	1+1

Table 32. Tube Heater Resistances “G-Connect”, Reference List

Item	Description	Part Number	Qty.
24	Heat Resistance 400v 1500w	EL-00179	4+4
	Heat Resistance 230v 1500w	EL-00035	4+4



PRIMARY TUBE HEATER G-CONNECT+

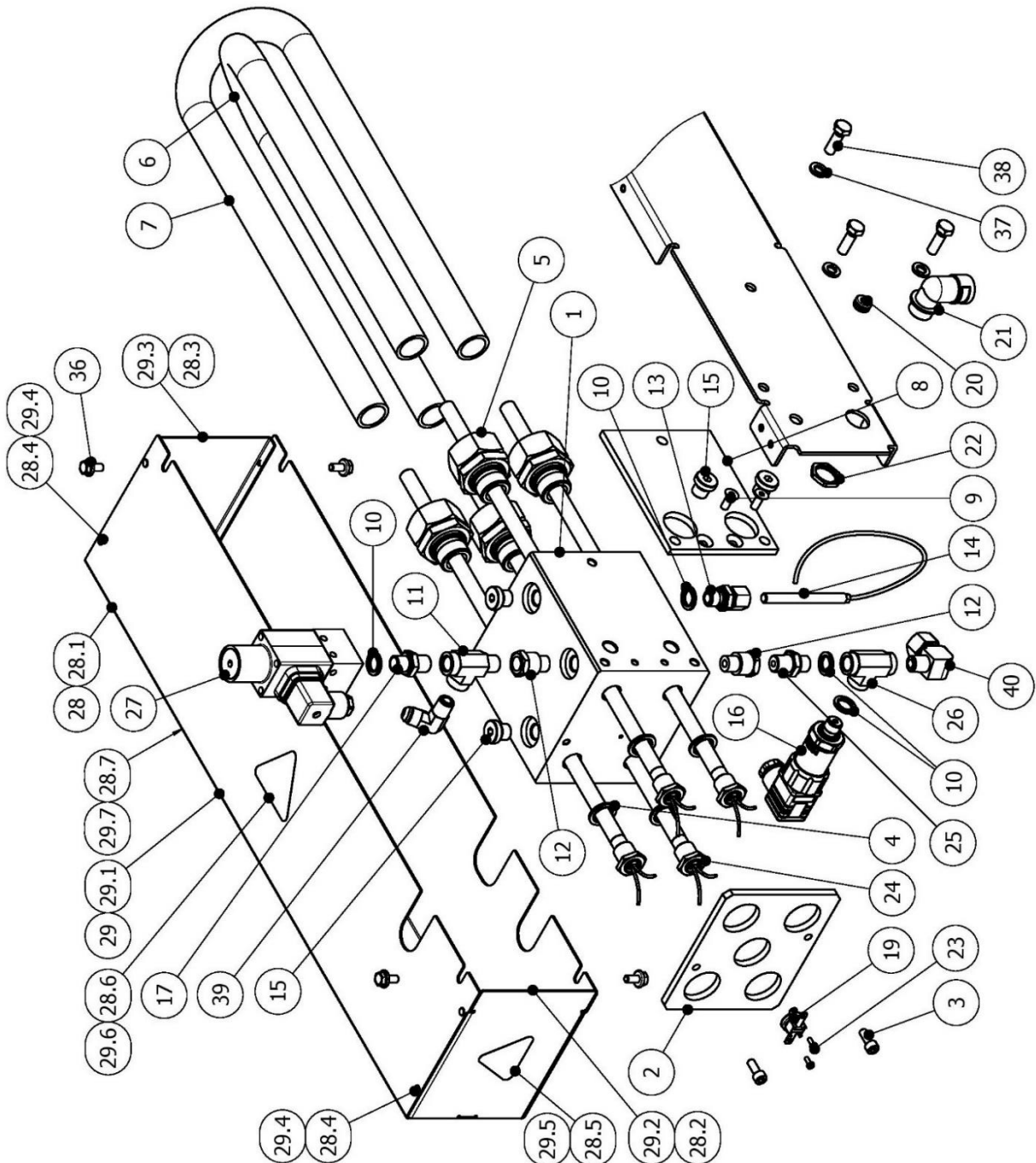


Figure 13. ISO and POL Primary Tube Heater "G-Connect+"



Parts Manual

Table 33. Primary Tube Heater Component List “G-Connect+”, Parts List

Item	Description	Part Number	Qty.
1	Heater Block	NCL-01001-02	1+1
2	Front Insulate Plate	NCL-01001-03	1+1
3	Screw	TN-00061	2+2
4	Metal O-Ring	OR-00018	4+4
5	Male Connector for Pipe	RA-00493	4+4
6	Short Pipe	NCL-01001-06	1+1
7	Long Pipe	NCL-01001-05	1+1
8	Side Insulator Plate	NCL-03001-04	1+1
9	Screw	TN-00322	2+2
10	Metal O-Ring	OR-00054	4+4
11	“T” Adapter	RA-00018	1+1
12	Extension Nipple	RA-00077	2+2
13	Fitting	RA-00231	1+1
14	Temperature Probe	EL-00156-01	1+1
15	Plug	RA-00013	4+4
16	Pressure Transducer	HI-00033	1+1
17	Male Union	RA-00138	1+1
18			
19	Safety Thermostat	EL-00006	1+1
20	Grommet	EL-00095-00	1+1
21	Plastic Elbow	EL-00087-01	1+1
22	Nut	EL-00090-01	1+1
23	Screw	TN-00128	2+2
24	Heater Resistance	See Table 34	4+4
25	Male Union	RA-00138	1+1
26	“T” Adapter	RA-00053	1+1
27	Pressure Switch	HI-00021	1+1
28	Heater Protection Assy. (includes from ítem 28.1 to 28.7)	NCL-21001-01	1
28.1	Heater Housing (included in ítem 28)	CL-21001-01A	1
28.2	Heater Front Cover (included in ítem 28)	CL-21001-01C	1
28.3	Heater Front Cover (included in ítem 28)	CL-21001-01D	1



Item	Description	Part Number	Qty.
28.4	Rivet (included in item 28)	TN-00240	10
28.5	Warning Voltage (included in item 28)	EM-00016	1
28.6	Warning Temperature (included in item 28)	EM-00018	1
28.7	G-Connect Tag (included in item 28)	EM-00122	1
29	Heater Protection Assy. (includes from ítem 29.1 to 29.7)	NCL-21002-01	1
29.1	Heater Housing (Included in ítem 29)	CL-21002-01A	1
29.2	Heater Front Cover (included in item 29)	CL-21001-01C	1
29.3	Heater Rear Cover (included in item 29)	CL-21001-01D	1
29.4	Rivet (included in item 29)	TN-00240	10
29.5	Warning Voltage (included in item 29)	EM-00016	1
29.6	Warning Temperature (included in item 29)	EM-00018	1
29.7	G-Connect Tag (included in item 29)	EM-00122	1
35	Washer	TN-00024	4+4
36	Hex. Cap Screw	TN-00438	4+4
37	Lock Nut	TN-00028	3+3
38	Hex. Cap Screw	TN-00146	3+3
39	Swivel Elbow 90°	RA-00044	1+1
40	Swivel Elbow 90° for Pipe	RA-00038	1+1

Table 34. References List Tube Heater Resistances “G-Connect+”, Ref. List

Item	Description	Part Number	Qty.
24	Heat Resistance 400v 2000w	EL-00258	4+4
	Heat Resistance 230v 2000w	EL-00177	4+4



PRIMARY ROUND BLOCK HEATER G-CONNECT

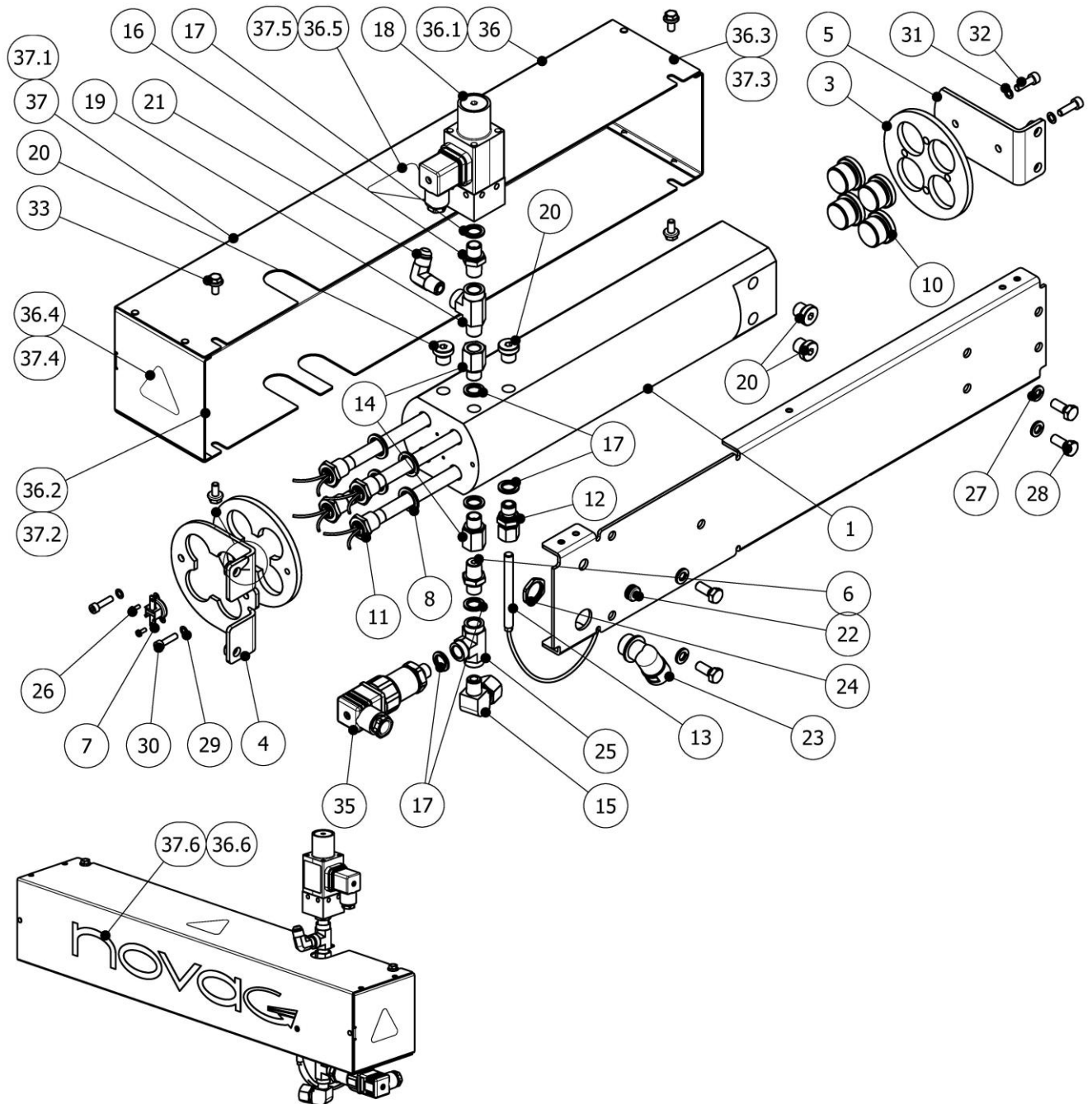


Figure 14. Primary Round Block Heater G-Connect



Table 35. Primary Round Block Heater G-Connect, Parts List

Item	Description	Part Number	Qty.
1	Heater Block	CLH-02001-01A	1+1
2	Front Insulate Plate	CL-02001-04	1+1
3	Rear Insulate Plate	CL-02001-03	1+1
4	Front Support	CL-21005-02	1+1
5	Rear Support	CL-21005-03	1+1
6	Nipple	RA-00102	1+1
7	Thermal Limit Switch	EL-00006	1+1
8	Metal O-Ring	OR-00018	4+4
9			
10	Plug	RA-00012	4+4
11	Element	See Table 36	4+4
12	Fitting	RA-00231	1+1
13	Temperature probe	EL-00156-01	1+1
14	Extension Nipple	RA-00077	2+2
15	Elbow 90°	RA-00038	1+1
16	Male Union	RA-00138	1+1
17	Metal O-Ring	OR-00054	6+6
18	Pressure Switch	HI-00021	1+1
19	“T” Adapter	RA-00018	1+1
20	Plug	RA-00013	4+4
21	Elbow Union 90°	RA-00044	1+1
22	Grommet	EL-00095-00	1+1
23	90° Elbow for Cable Gland	EL-00087-01	1+1
24	Nut	EL-00090-01	1+1
25	“T” Adapter	RA-00053	1+1
26	Screw	TN-00128	2+2
27	Lock Nut	TN-00028	2+2
28	Hex. Cap Screw	TN-00187	4+4
29	Washer	TN-00017	2+2
30	Allen Screw	TN-00234	2+2
31	Washer	TN-00048	2+2



Parts Manual

Item	Description	Part Number	Qty.
32	Allen Screw	TN-00026	2+2
33	Hex. Cap Screw	TN-00491	4+4
34			
35	Pressure Transducer	HI-00033	1+1
36	ISO Heater Protection Assy. (includes from Item.36.1 to 36.6)	NCL-21009-01	1
36.1	Heater Housing (included in item 36)	CL-21009-01A	1
36.2	Heater Cover (included in item 36)	CL-21009-01C	2
36.3	Rivet (included in item 36)	TN-00240	10
36.4	Warning Voltage (included in item 36)	EM-00016	1
36.5	Warning Temperature (included in item 36)	EM-00018	1
36.6	G-Connect Tag (included in item 36)	EM-00122	1
37	POL Heater Protection Assy. (includes from Item 37.1 to 37.6)	NCL-21010-01	1
37.1	Heater Housing (Included in Item 37)	CL-21010-01A	1
37.2	Heater Cover (included in Item 37)	CL-21009-01C	2
37.3	Rivet (included in Item 37)	TN-00240	10
37.4	Warning Voltage (included in Item 37)	EM-00016	1
37.5	Warning Temperature (included in Item 37)	EM-00018	1
37.6	G-Connect Tag (included in Item 37)	EM-00122	1

Table 36. Round Block Heater Resistances “G-Connect”, Reference List

Item	Description	Part Number	Qty.
11	Heat Resistance 400v 1500w	EL-00189	4+4
	Heat Resistance 230v 1500w	EL-00082	4+4



PRIMARY ROUND BLOCK HEATER G-CONNECT+

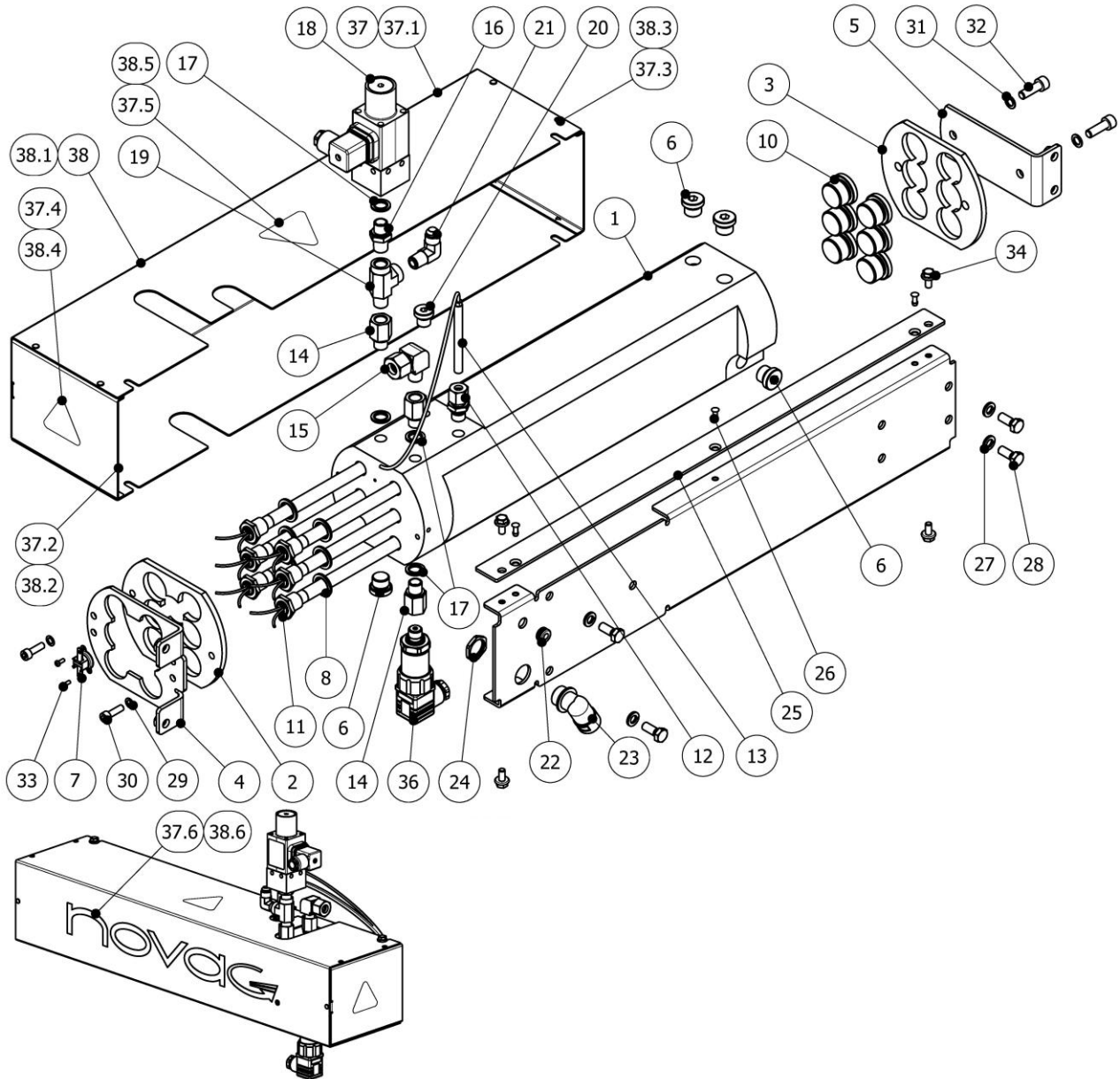


Figure 15. ISO and POL Primary Round Block Heater “G-Connect+”



Parts Manual

**Table 37. Primary Round Block Heater Component List “G-Connect+”,
Parts List**

Item	Description	Part Number	Qty.
1	Heater Block	CLH-01001-01A	1+1
2	Front Insulate	CL-21003-04	1+1
3	Rear Insulate	CL-21003-05	1+1
4	Front Support	CL-21003-02	1+1
5	Rear Support	CL-21003-03	1+1
6	Plug	RA-00049	4+4
7	Safety Thermostat	EL-00006	1+1
8	Metal O-Ring	OR-00018	4+4
9			
10	Plug	RA-00012	6+6
11	Heater Resistance	See Table 38	6+6
12	Fitting	RA-00231	1+1
13	Temperature Probe	EL-00156-01	1+1
14	Extension Nipple	RA-00077	3+3
15	Elbow 90°	RA-00038	1+1
16	Male Union	RA-00138	1+1
17	Metal O-Ring	OR-00054	4+4
18	Pressure Switch	HI-00021	1+1
19	“T” Adapter	RA-00018	1+1
20	Plug	RA-00013	1+1
21	Elbow 90°	RA-00044	1+1
22	Grommet	EL-00095-00	1+1
23	Plastic Elbow	EL-00087-01	1+1
24	Nut	EL-00090-01	1+1
25	Supplement Plate	MQ-21010	1+1
26	Rivet	TN-00372	3+3
27	Washer	TN-00028	4+4
28	Hex Cap Screw	TN-00187	4+4
29	Washer	TN-00048	2+2
30	Allen Screw	TN-00026	2+2



Item	Description	Part Number	Qty.
31	Washer	TN-00038	2+2
32	Allen Screw	TN-00027	2+2
33	Screw	TN-00128	2+2
34	Hex Cap Screw	TN-00049	4+4
35			
36	Pressure Transducer	HI-00033	1+1
37	Heater Protection Assy. (includes from ítem 37.1 to 37.6)	NCL-21003-01	1
37.1	Heater Housing (included in item 37)	CL-21003-01A	1
37.2	Heater Cover (included in item 37)	CL-21003-01B	2
37.3	Rivet (included in item 37)	TN-00240	10
37.4	Warning Voltage (included in item 37)	EM-00016	1
37.5	Warning Temperature (included in item 37)	EM-00018	1
37.6	G-Connect Tag (included in item 37)	EM-00122	1
38	Heater Protection Assy. (includes from ítem 38.1 to 38.6)	NCL-21004-01	1
38.1	Heater Housing (Included in ítem 38)	CL-21004-01A	1
38.2	Heater Cover (included in item 38)	CL-21003-01C	2
38.3	Rivet (included in item 38)	TN-00240	10
38.4	Warning Voltage (included in item 38)	EM-00016	1
38.5	Warning Temperature (included in item 38)	EM-00018	1
38.6	G-Connect Tag (included in item 38)	EM-00122	1

Table 38. References List Round Block Heater Resistances “G-Connect+”, Ref. List

Item	Description	Part Number	Qty.
11	Heat Resistance 400v 1500w	EL-00179	6+6
	Heat Resistance 230v 1500w	EL-00035	6+6



RECIRCULATION KIT DIRECT TO TANKS

NOTE:

The machine comes with standard fittings and ball valves for recirculation. The rest of the components to complete the set are the parts included in the kit.

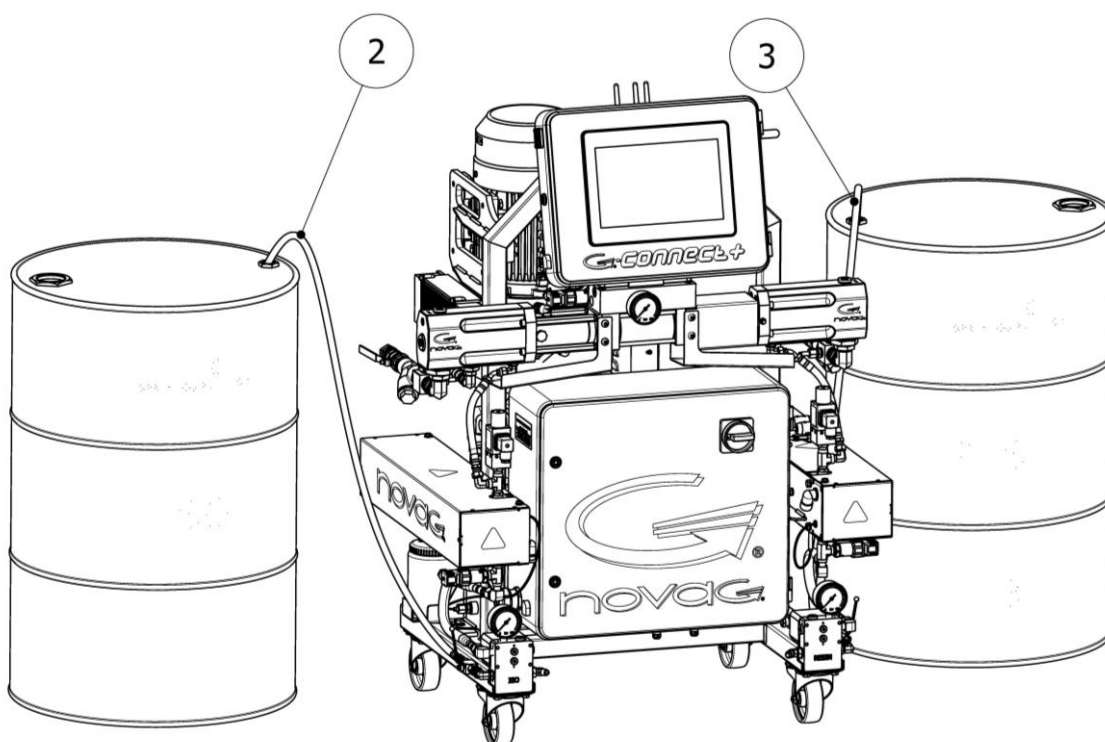


Figure 16. Recirculation Kit #KT-00199

Table 39. Standard Recirculation Kit #KT-00199, Parts List

Item	Description	Part Number	Qty.
	Recirculation Kit	KT-00199	1
2	Hose “A” ISO	MA-00050-01	1
3	Hose “R” POL	MA-00050-00	1



RECIRCULATION KIT, WITH ISO/POL DRIER

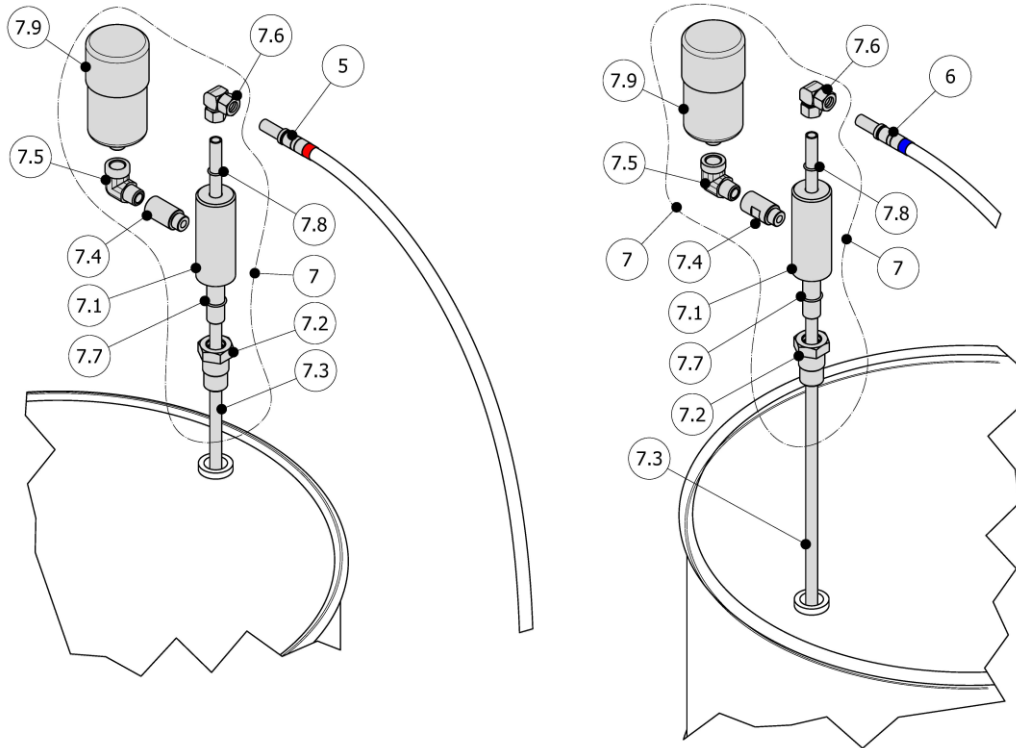


Figure 17. Recirculation Kit #KT-00199-01

Table 40. Recirculation Kit #KT-00199-01, Parts List

Item	Description	Part Number	Qty.
	Recirculation Kit	KT-00199-01	1
5	Hose “A” ISO	MA-00050-01	1
6	Hose “R” POL	MA-00050-00	1
7	Tank Adapter Kit	MQ-05009-00	2
7.1	Body Adapter	MQ-05010	1 (*)
7.2	Tank Adapter	MQ-05009	1 (*)
7.3	Pipe	HI-00075	1 (*)
7.4	Length Union	RA-00256	1 (*)
7.5	Elbow Union	RA-00257	1 (*)
7.6	Elbow Union for Pipe	RA-00200	1 (*)
7.7	O-Ring	OR-00055	2(*)
7.8	O-Ring	OR-00011	1 (*)
7.9	Dehumidifier filter (drying)	NE-00045	1 (*)

Note: (*) Unit quantities included in one item 7 set.



RECIRCULATION KIT, WITH DRYING ISO TANK

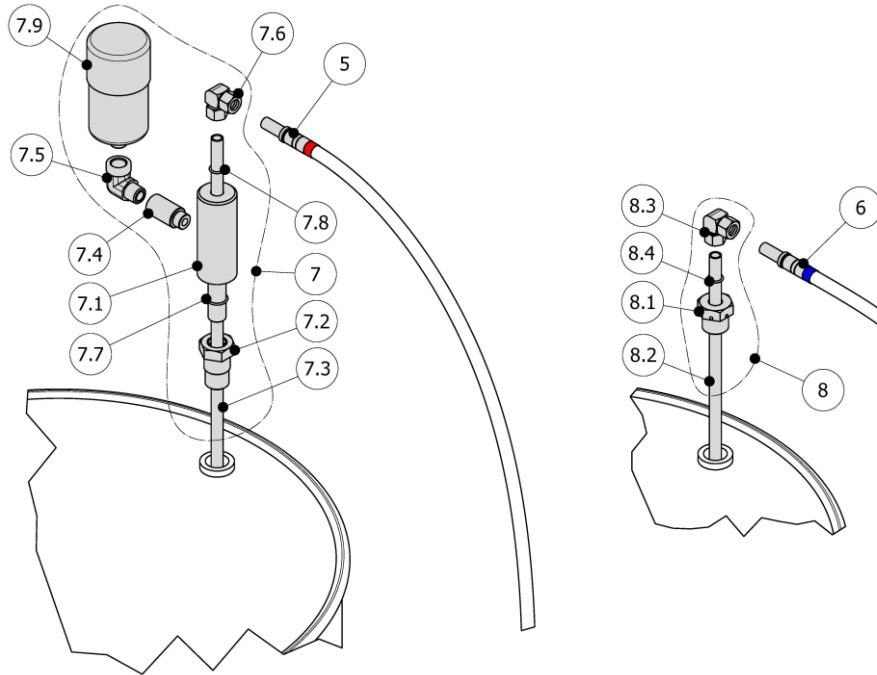


Figure 18. Recirculation Kit #KT-00199-03

Table 41. Recirculation Kit #KT-00199-03, Parts List

Item	Description	Part Number	Qty.
	Recirculation Kit	KT-00199-03	1
5	Hose “A” Iso	MA-00050-01	1
6	Hose “R” Resin	MA-00050-00	1
7	Tank Adapter Kit	MQ-05009-00	1
7.1	Body Adapter	MQ-05010	1
7.2	Tank Adapter	MQ-05009	1
7.3	Pipe	HI-00075	1
7.4	Length Union	RA-00256	1
7.5	Elbow Union	RA-00257	1
7.6	Elbow Union for Tube	RA-00200	1
7.7	O-Ring	OR-00055	2



Item	Description	Part Number	Qty.
7.8	O-Ring	OR-00011	1
7.9	Dehumidifier Filter (Drying)	NE-00045	1
8	Filter less Tank Adapter Assy	MQ-05010-00	1
8.1	Tank Adapter	MQ-05009-A	1
8.2	Pipe	HI-00075	1
8.3	Elbow Union for Pipe	RA-00200	1
8.4	O-Ring	OR-00011	1



ELECTRICAL SCHEM. 3PE~400V 50/60Hz, “G-Connect”

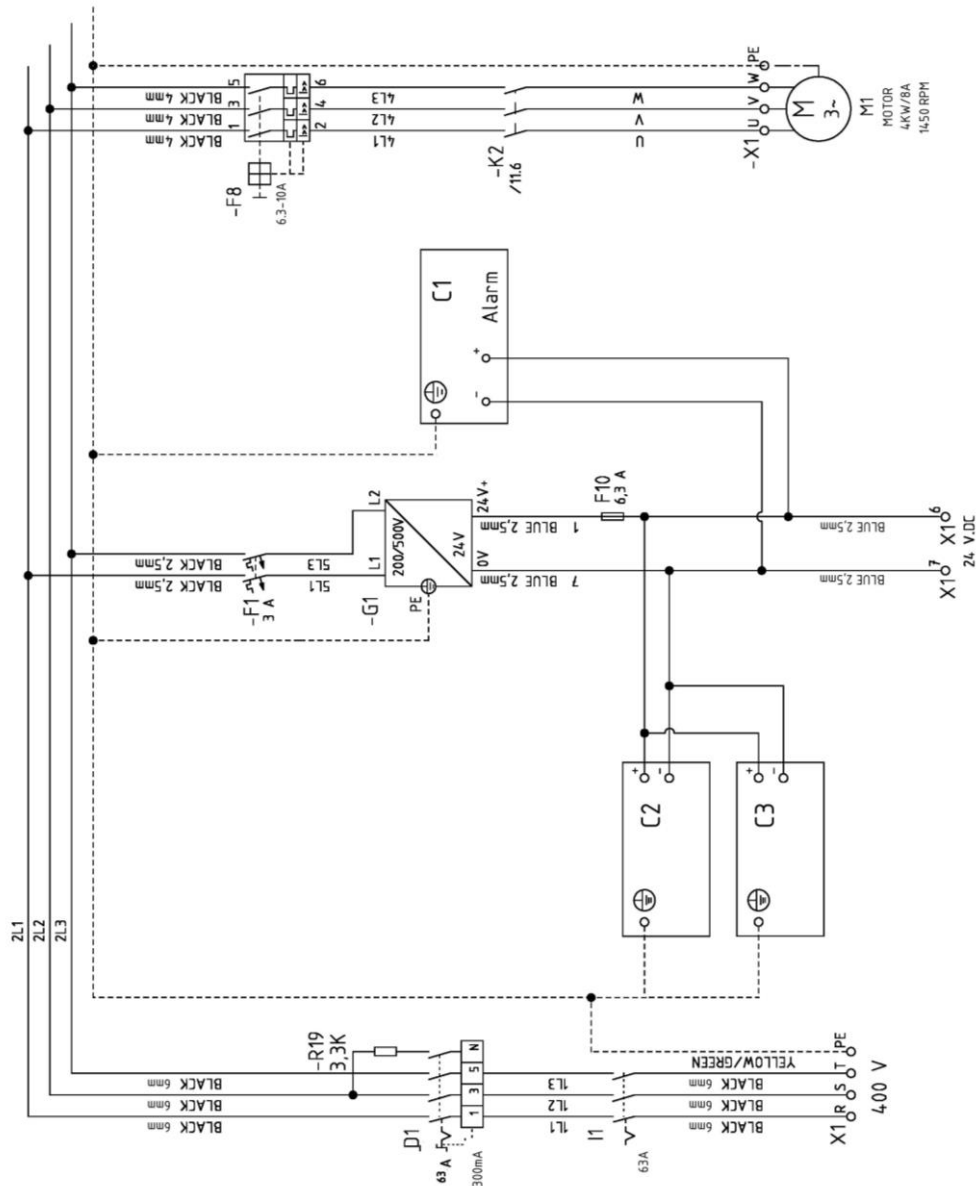


Figure 19. Elec. Schem. 3PE~400V 50/60Hz, “G-Connect” (Sheet 1/9)

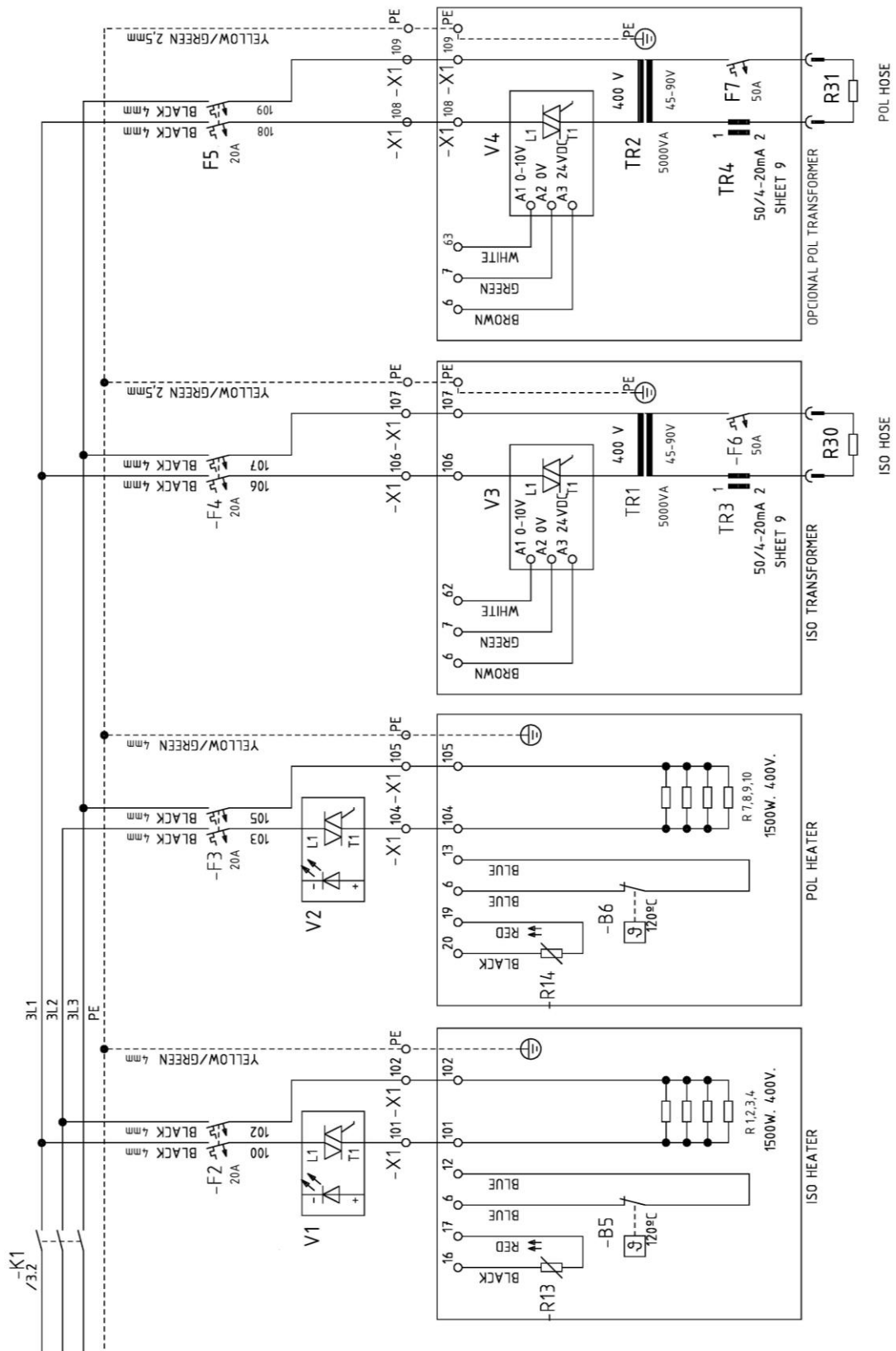


Figure 20. Elec. Schem. 3PE~400V 50/60Hz, "G-Connect" (Sheet 2/9)



Parts Manual

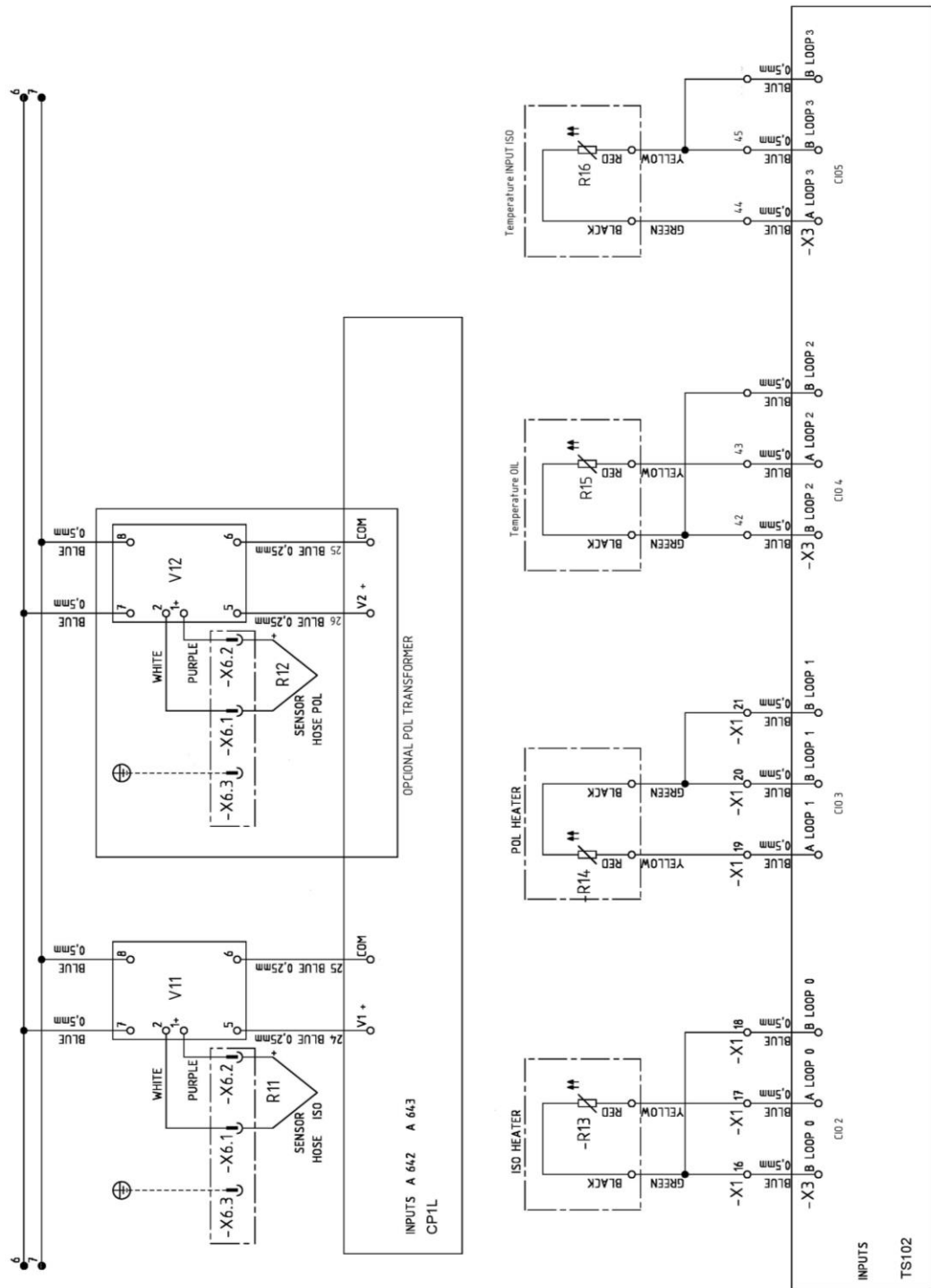


Figure 21. Elec. Schem. 3PE~400V 50/60Hz, “G-Connect” (Sheet 3/9)

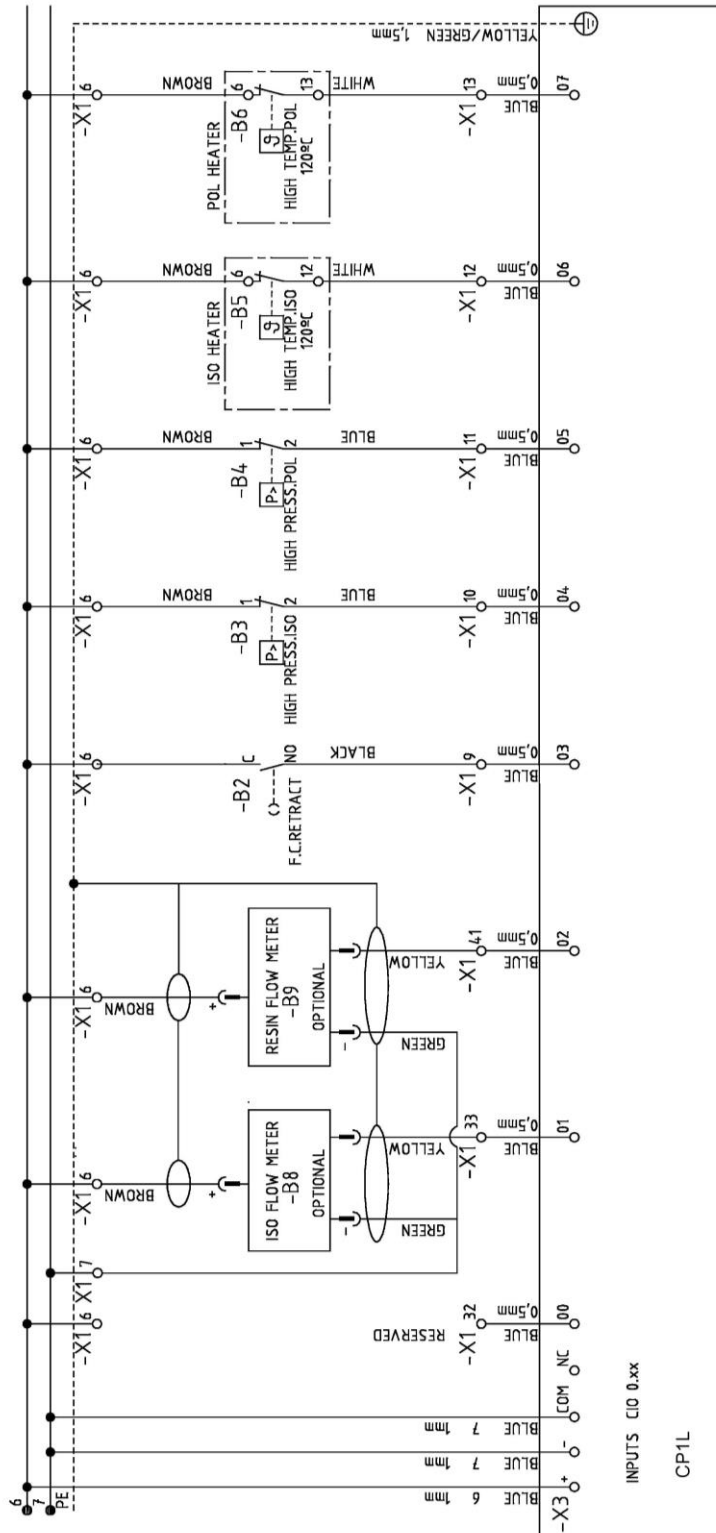


Figure 22. Elec. Schem. 3PE~400V 50/60Hz, “G-Connect” (Sheet 4/9)

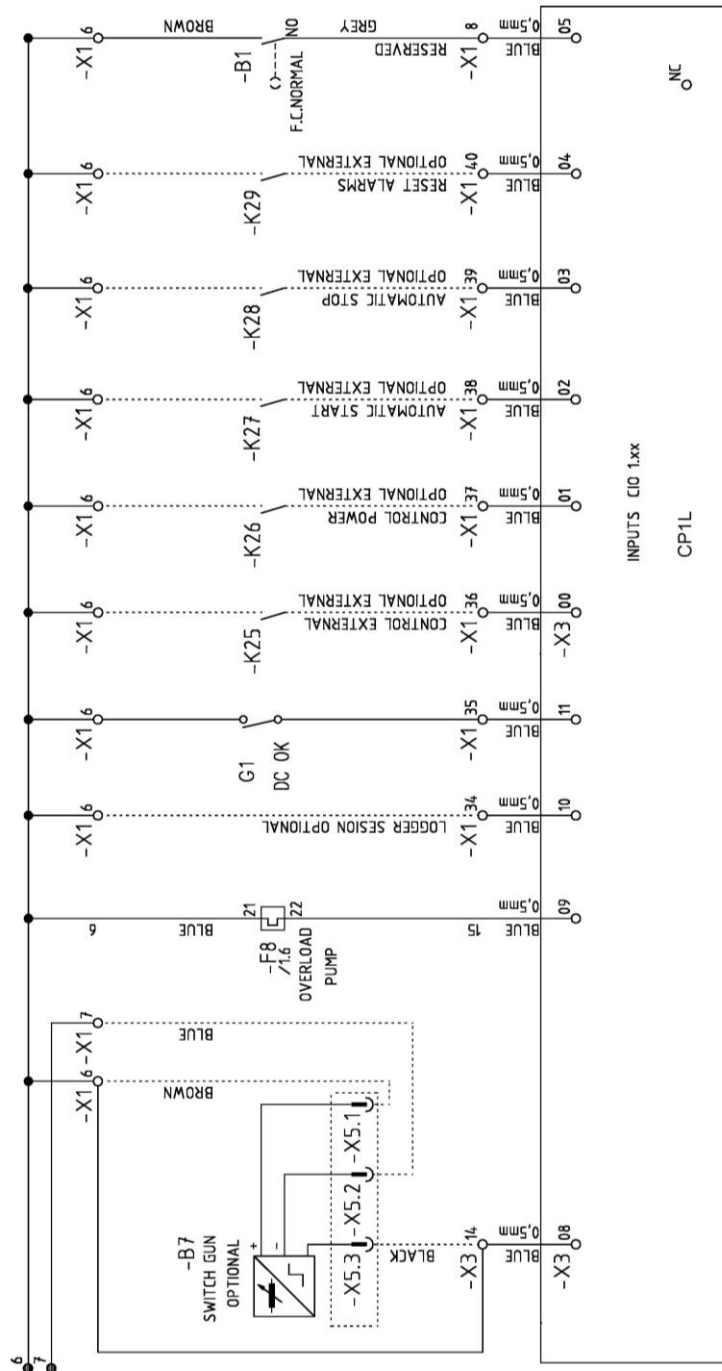


Figure 23. Elec. Schem. 3PE~400V 50/60Hz, “G-Connect” (Sheet 5/9)

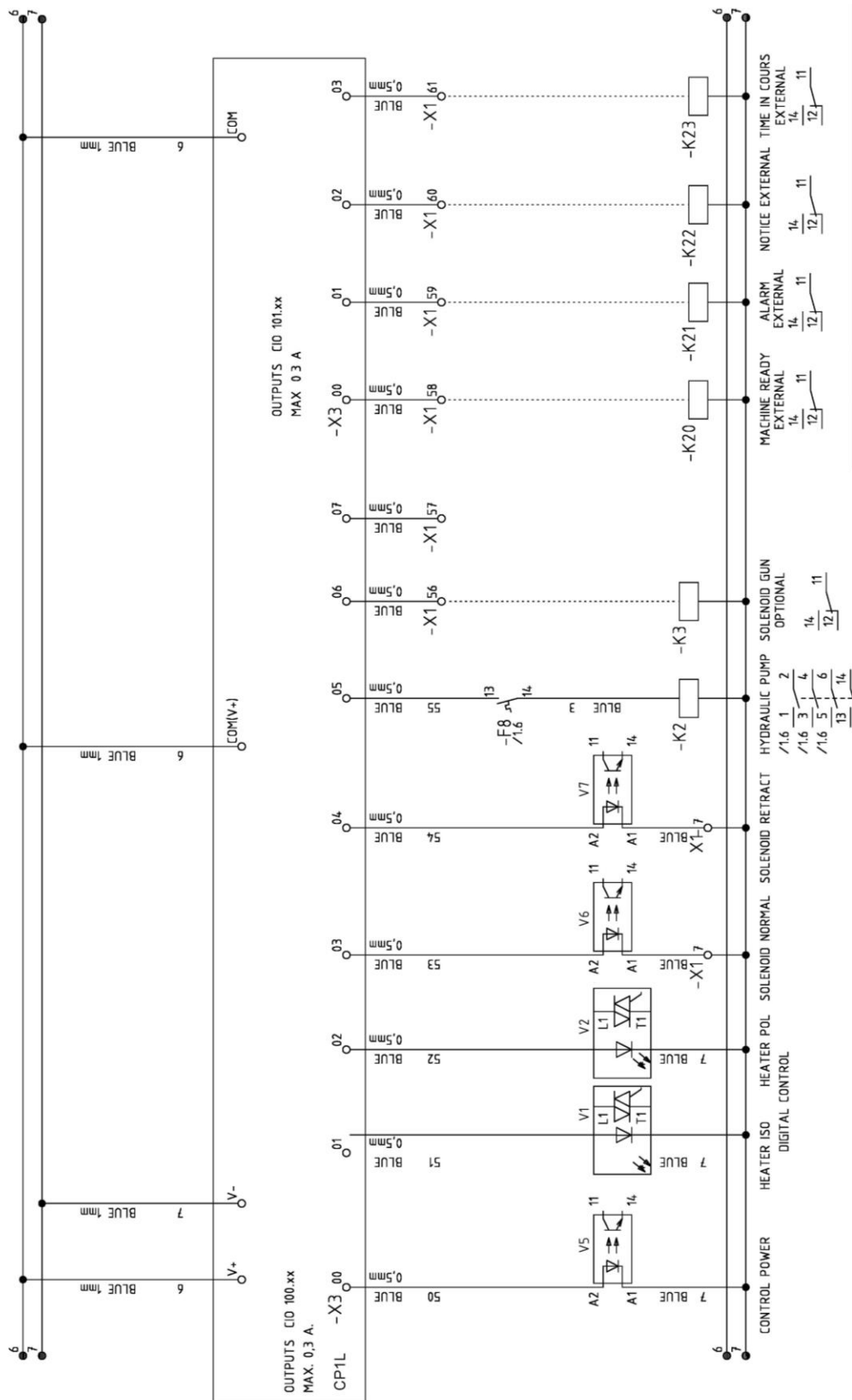
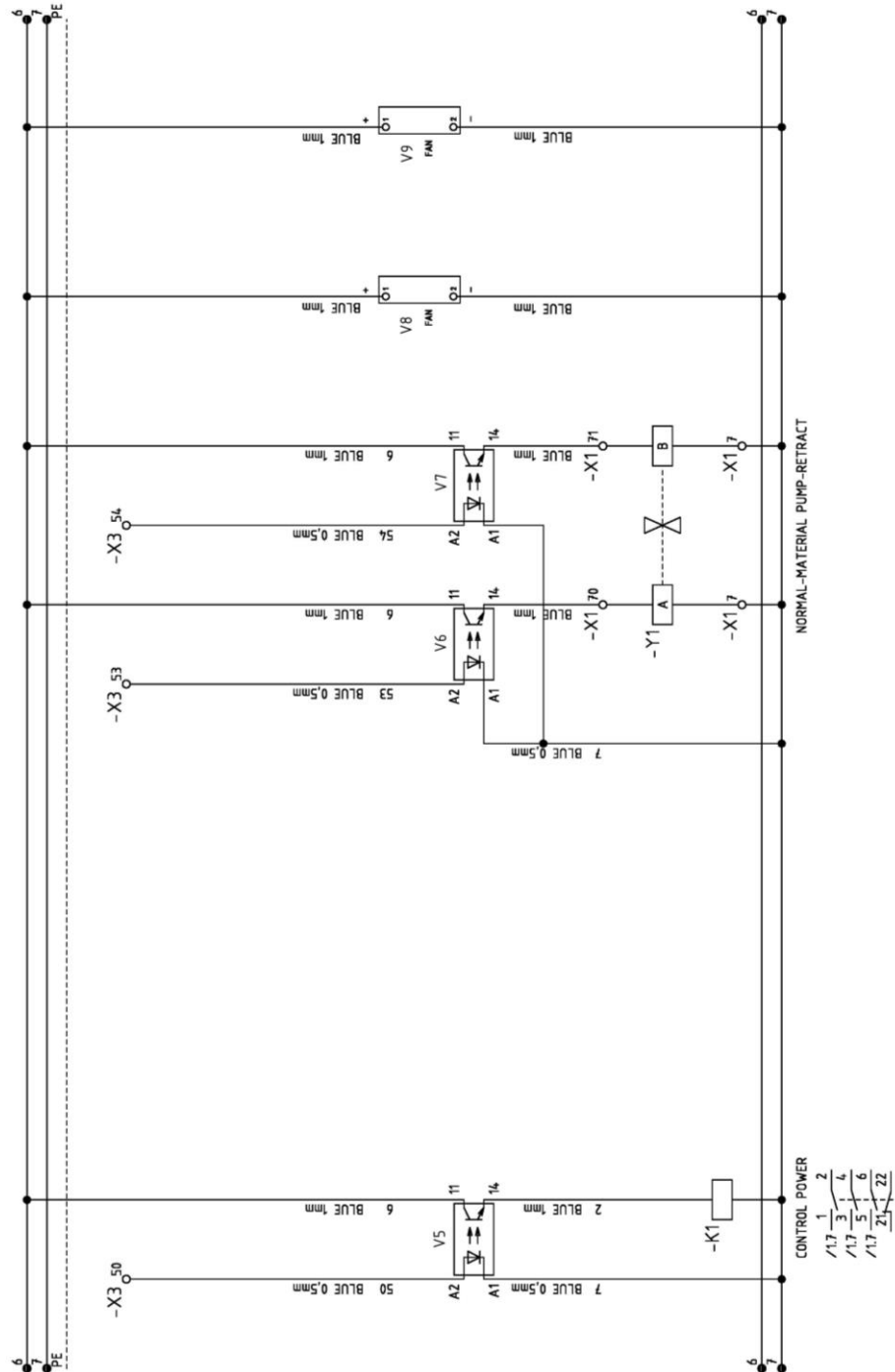


Figure 24. Elec. Schem. 3PE~400V 50/60Hz, “G-Connect” (Sheet 6/9)



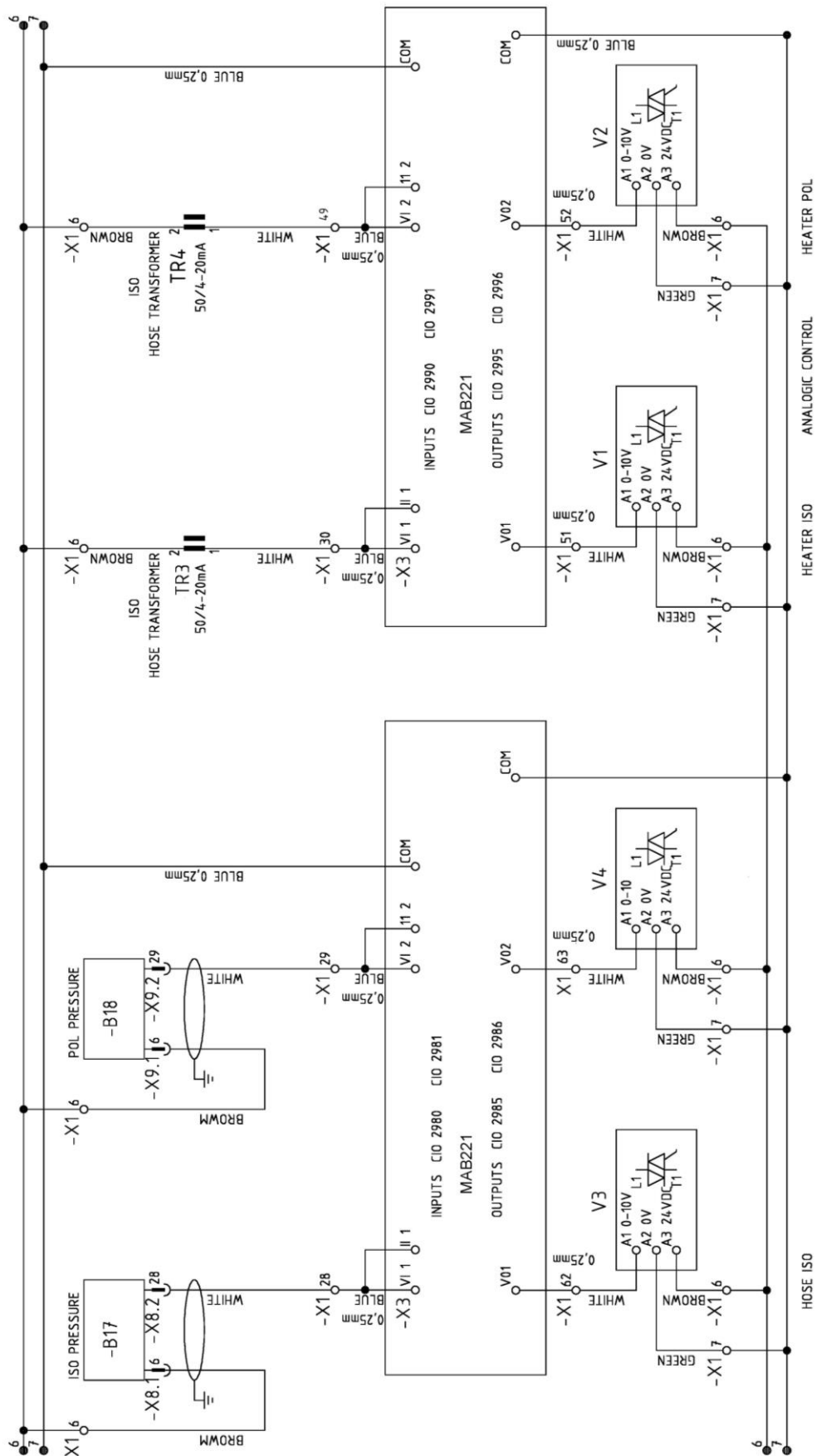


Figure 26. Elec. Schem. 3PE~400V 50/60Hz, “G-Connect” (Sheet 8/9)

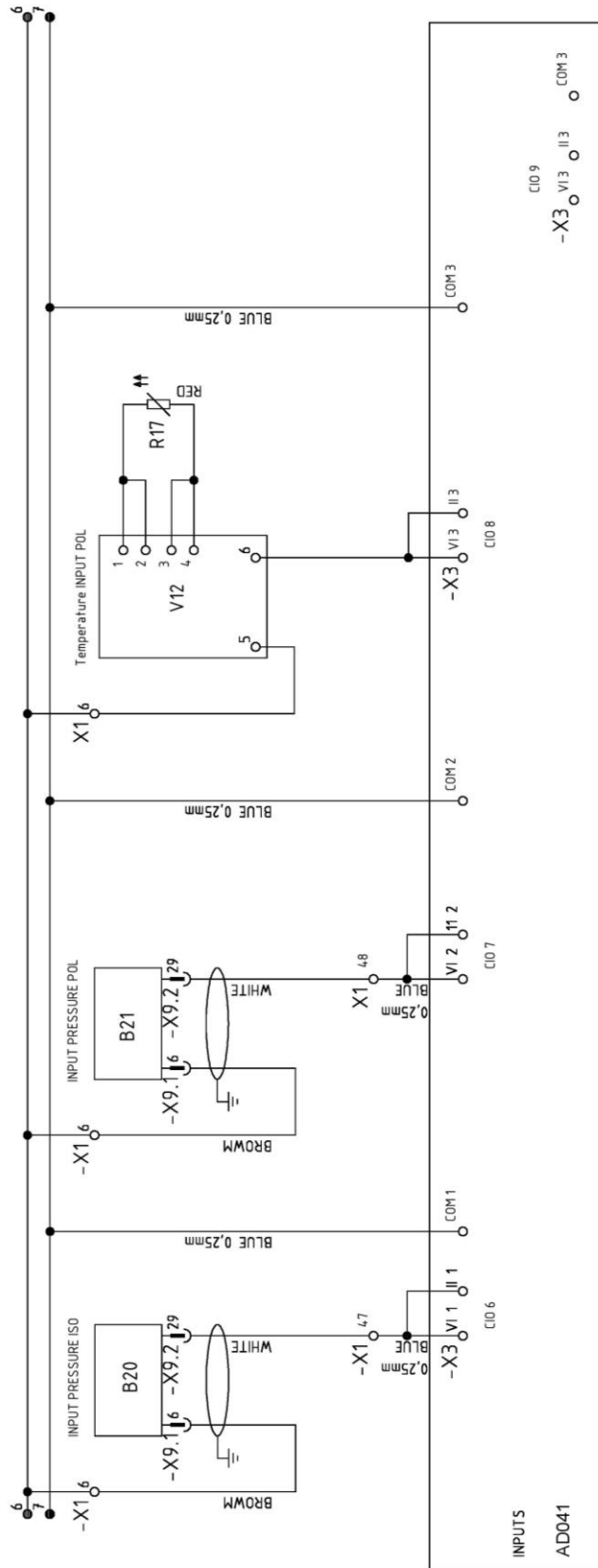


Figure 27. Elec. Schem. 3PE~400V 50/60Hz, “G-Connect” (Sheet 9/9)



Table 42. Elec. Schem. 3PE~400V 50/60Hz, “G-Connect” Parts List

Item.	Description	Part Number	Qty.
B1,2	Micro Switch	EL-00020	2
B3,4	Pressure Switch	HI-00021	2
B5,6	Safety thermostat	EL-00006	2
B7	Gun Microswitch (Optional)		1
B8,9	Flow Meter	EL-00079-01	2
B17,18, 19,20,21	Pressure Transducer	HI-00033	5
C1	Ethernet Switch Module	EL-00171-07 EL-00292-04	1
C2	Router 4G/WIFI/GPS	EL-00332	1
C3	HMI	EL-00331	1
D1	Differential Switch 4 poles 63A 0.03A	EL-00108-04	1
F1	Circuit Breaker 2 poles 3A curve C	EL-00109-04	1
F2,3	Circuit Breaker 2 poles 20A curve C	EL-00113-04	2
F4,5	Circuit Breaker 2 poles 20A curve C	EL-00113-04	1
F6,7	Circuit Breaker 1 pole 50A curve C	EL-00117-01	1
F8	Adjustable Circuit Breaker 6,3-10A	EL-00119-04	1
	Auxiliary contact for circuit breaker	EL-00119-03	1
F10	Crystal Fuse 6.3A	EL-00128-03	1
G1	Power Supply 180-550Vac-24Vdc 5A.	EL-00135-03	1
I1	Main Switch 3 poles 63A	EL-00107-07	1
K1	Contactora 22kW 24Vdc	EL-00121-02	1
K2	Contactora 7.5kW 24Vdc	EL-00123-02	1
M1	Motor 4 kW 1450rpm 50/60Hz 230/400V	EL-00138-04	1
R1,2,3,4	Element Ø12.7 L455 1500W400V Sq. Heater	EL-00179	4
	Element Ø12.7 L375 1500W400V Round Heater	EL-00189 *	
R7,8,9,10	Element Ø12.7 L455 1500W400V Sq. Heater	EL-00179	4
	Element Ø12.7 L375 1500W400V Round Heater	EL-00189 *	
R13,14,15,16,17	PT100 Encapsulated Probe	EL-00156-01	5
R19	Resistance 3.3KΩ 6W	EL-00129-01	1
R30	Hose ISO + POL		1
TR1,2	Base Transformer 400/45-90V 50A 5000VA	EL-00012-02	1
TR3,4	Intensity Transformer 50A 4/20mA	EL-00127-19	1
V1, 2	Relay Control 100A 480V 0-10V.	EL-00126-13	2
V3	Relay Control 100A 230V 0-10V.	EL-00126-11	1
V5, 6, 7	Solid State Relay 6A 24Vdc	EL-00126-06	3

(*) Optionally for Round Block Heater



Item.	Description	Part Number	Qty.
V8	Fan 24Vdc 2W 80x80mm	EL-00133-02	1
V9	Fan 24Vdc 2W 40x40mm	EL-00133-03	1
V11	Transmitter MINI	EL-00164-02	1
V12	Module PT100 a 4-20mA	EL-00292-03	1
X1	Distributor	EL-00105-13	1
X3	CPU	EL-00171-03	1
Y1/A	Solenoid valve coil NORMAL	HI-00054-01	1
Y1/B	Solenoid valve coil RETRECT	HI-00054-01	1
	Auxiliary Contact for Adjustable Circuit Breaker	EL-00119-03	1

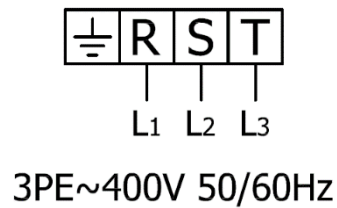


Figure 29. Connection 3PE~400V 50/60Hz, “G-Connect”

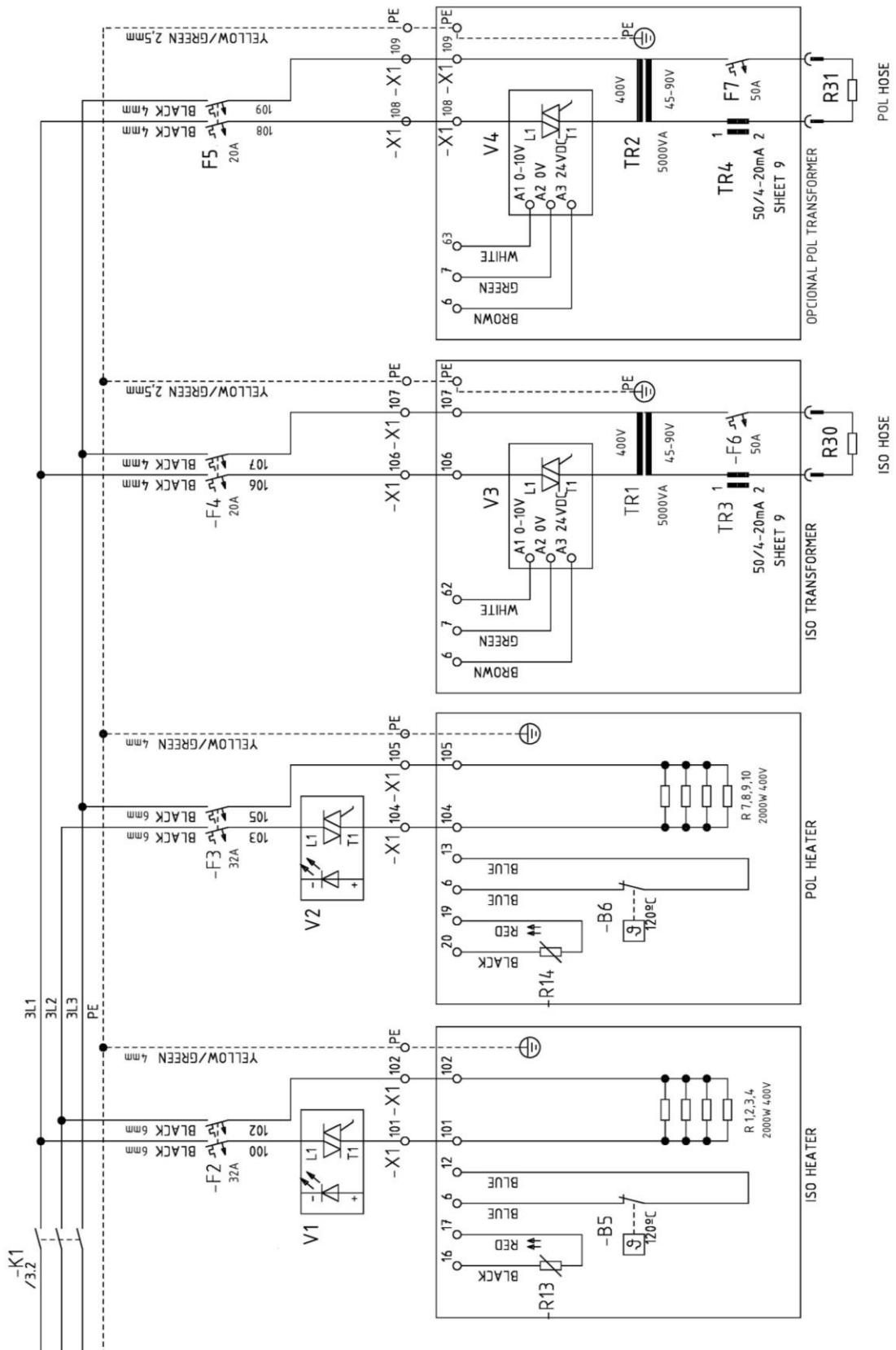


Figure 31. Elec. Schem. 3PE~400V 50/60Hz, “G-Connect+” (Sheet 2/9)



Parts Manual

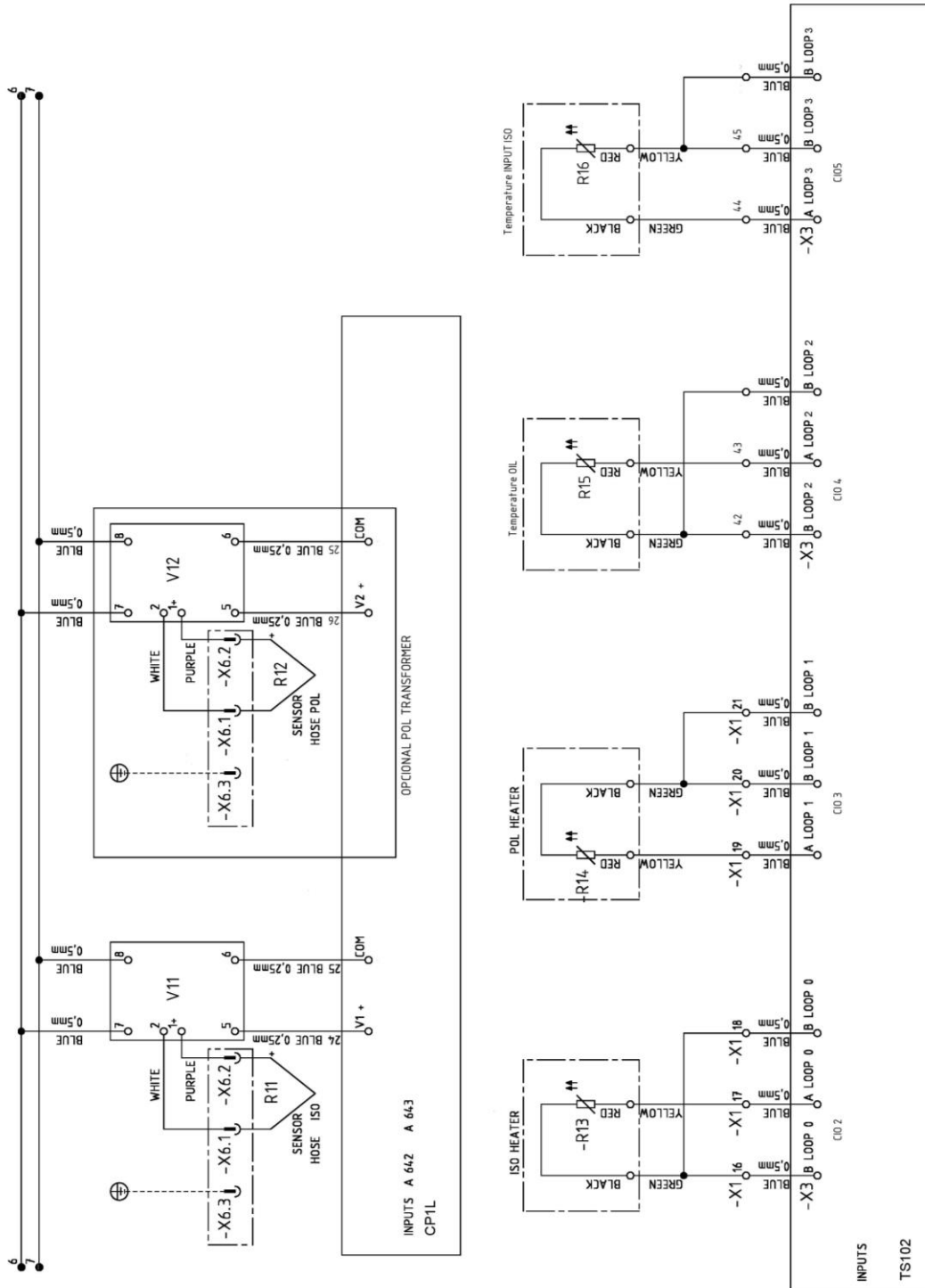


Figure 32. Elec. Schem. 3PE~400V 50/60Hz, “G-Connect+” (Sheet 3/9)

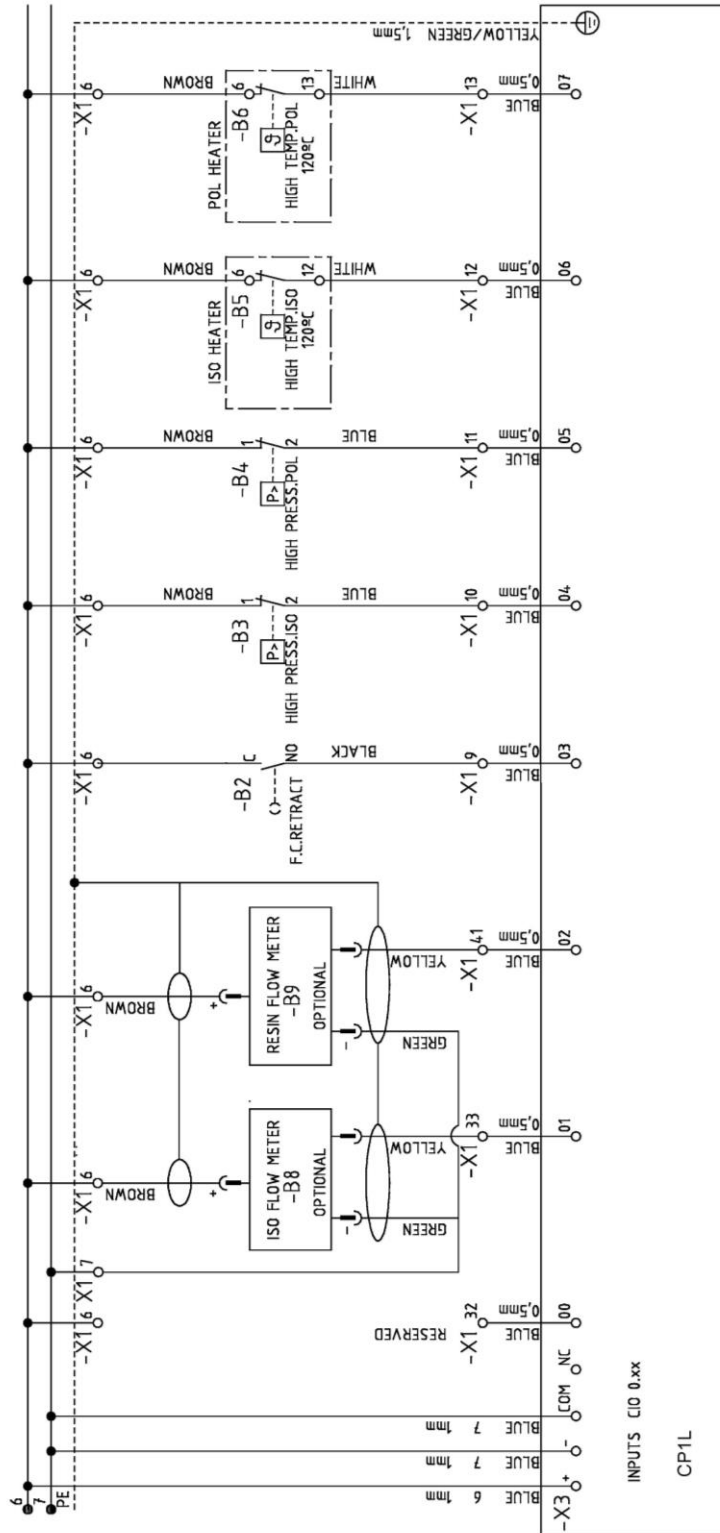


Figure 33. Elec. Schem. 3PE~400V 50/60Hz, G-Connect+ (Sheet 4/9)

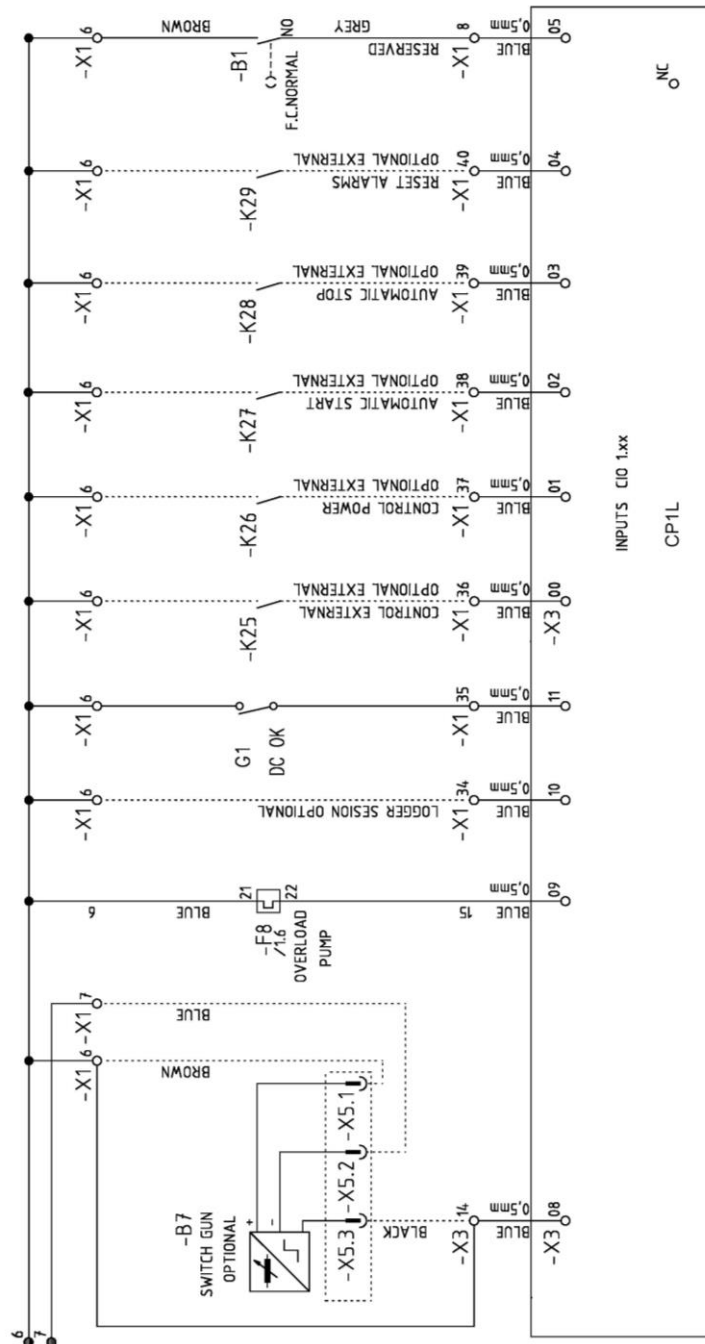


Figure 34. Elec. Schem. 3PE~400V 50/60Hz, “G-Connect+” (Sheet 5/9)

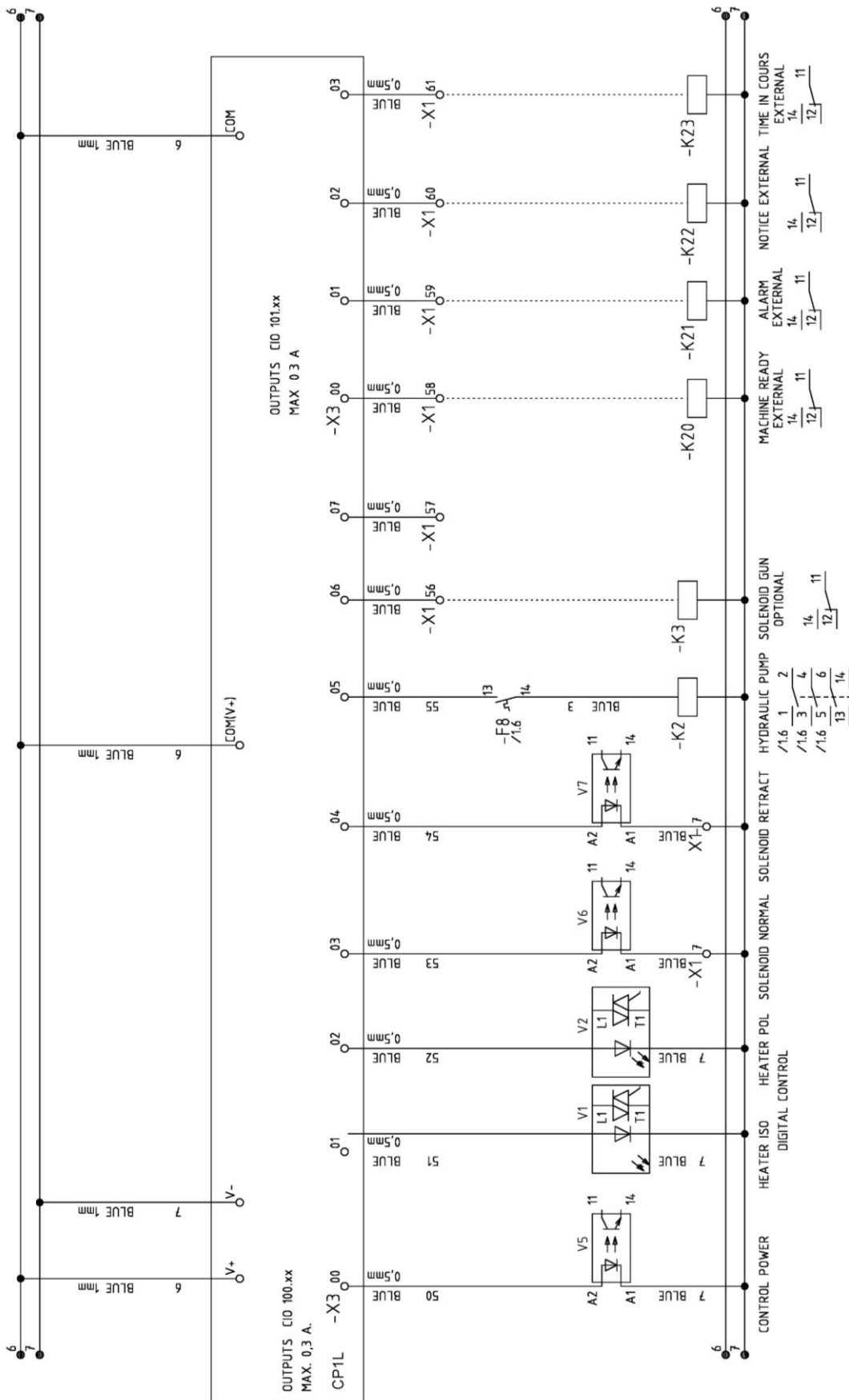


Figure 35. Elec. Schem. 3PE~400V 50/60Hz, “G-Connect+” (Sheet 6/9)

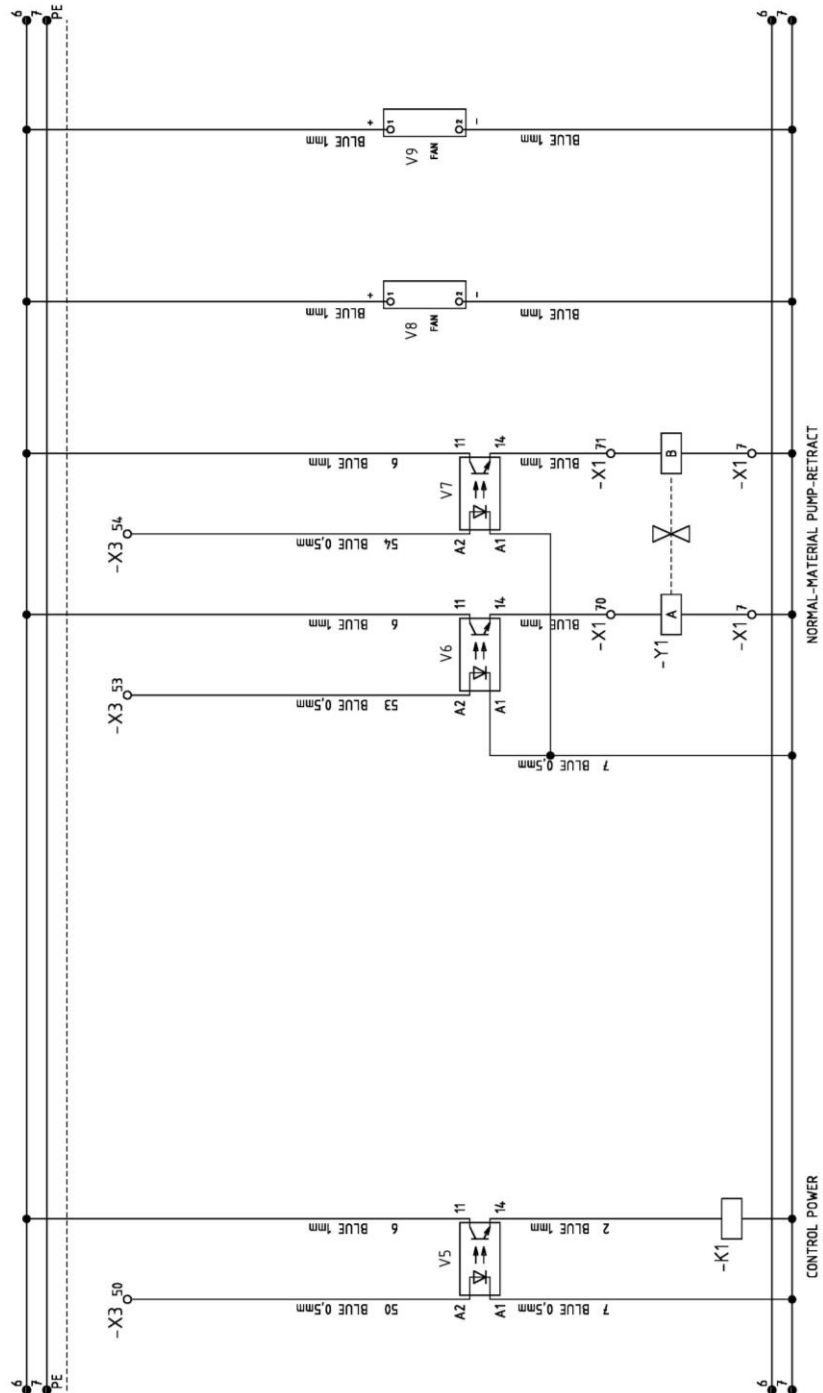


Figure 36. Elec. Schem. 3PE~400V 50/60Hz, “G-Connect+” (Sheet 7/9)

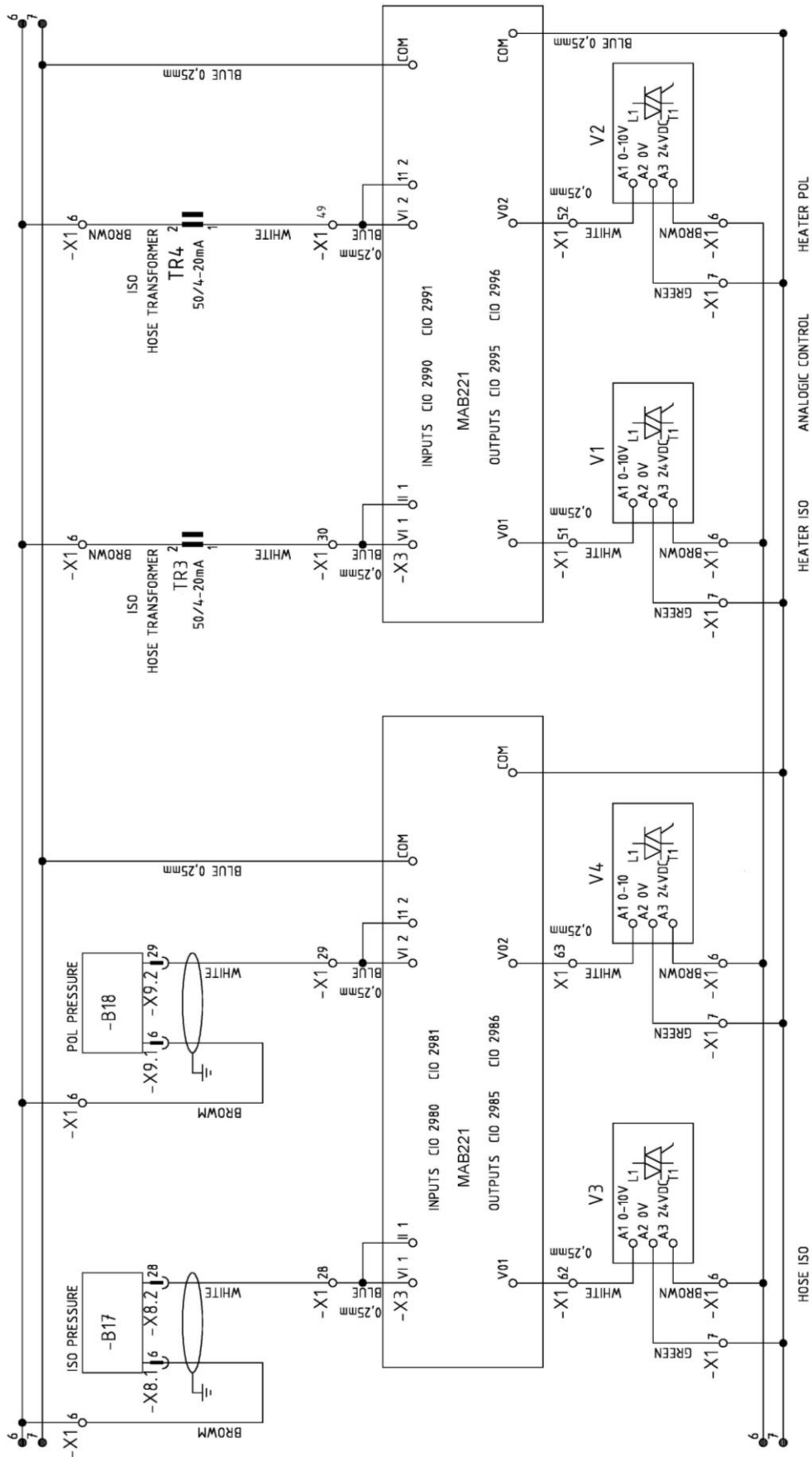


Figure 37. Elec. Schem. 3PE~400V 50/60Hz, “G-Connect+” (Sheet 8/9)



Parts Manual

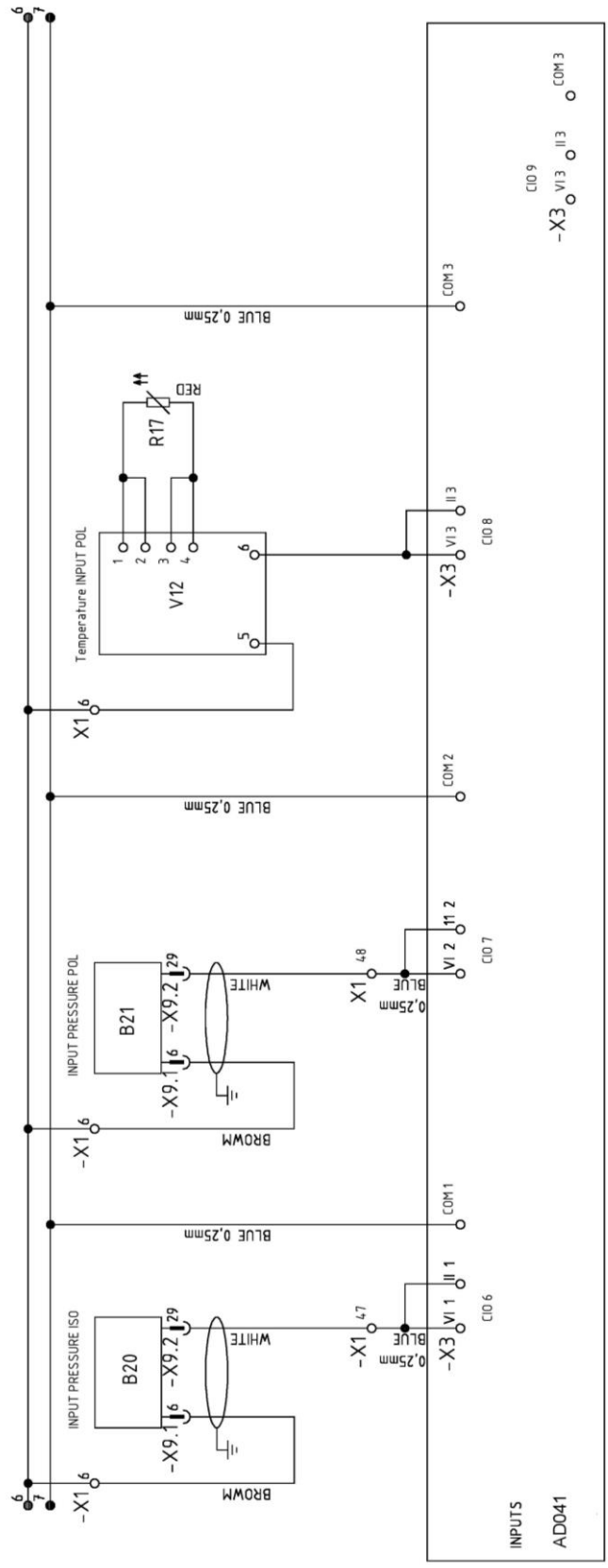


Figure 38. Elec. Schem. 3PE~400V 50/60Hz, “G-Connect+” (Sheet 9/9)

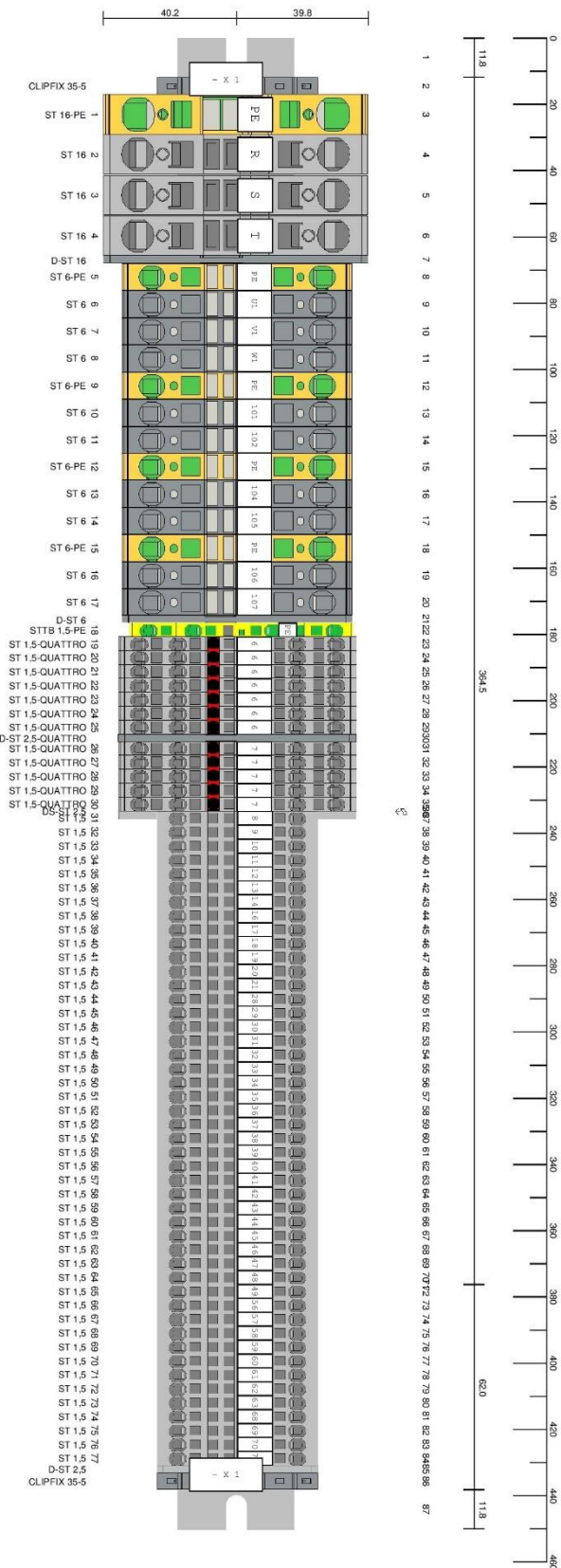


Figure 39. Distribution 3PE~400V 50/60Hz, “G-Connect+”



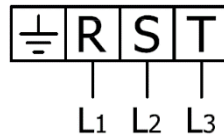
Table 43. Elec. Schem. 3PE~400V 50/60Hz, “G-Connect+” Parts List

Item.	Description	Part Number	Qty.
B1,2	Micro Switch	EL-00020	2
B3,4	Pressure Switch	HI-00021	2
B5,6	Safety thermostat	EL-00006	2
B7	Gun Microswitch (Optional)		1
B8,9	Flow Meter	EL-00079-01	2
B17,18, 19,20,21	Pressure Transducer	HI-00033	5
C1	Ethernet Switch Module	EL-00171-07 EL-00292-04	1
C3	HMI	EL-00331	1
D1	Differential Switch 4 poles 63A 0.03A	EL-00108-04	1
F1	Circuit Breaker 2 poles 3A curve C	EL-00109-04	1
F2,3	Circuit Breaker 2 poles 32A curve C	EL-00115-03	2
F4,5	Circuit Breaker 2 poles 20A curve C	EL-00113-04	1
F6,7	Circuit Breaker 1 pole 50A curve C	EL-00117-01	1
F8	Adjustable Circuit Breaker 9-14A	EL-00119-05	1
	Auxiliary contact for circuit breaker	EL-00119-03	1
F10	Crystal Fuse 6.3A	EL-00128-03	1
G1	Power Supply 180-550Vac-24Vdc 5A.	EL-00135-03	1
I1	MAin Switch 3 poles 63A	EL-00107-07	1
K1	Contacto 22kW 24Vdc	EL-00121-02	1
K2	Contacto 7.5kW 24Vdc	EL-00123-02	1
M1	Motor 5,5 kW 1450rpm 50/60Hz 230/400V	EL-00138-01	1
R1,2,3,4	Element Ø12.7 L455 2000W400V Sq. Heater	EL-00258	4
R1,2,3,4,5,6	Element Ø12.7 L455 1500W400V Round Heater	EL-00179 *	6
R7,8,9,10	Element Ø12.7 L455 2000W400V Sq. Heater	EL-00258	4
R7,8,9,10,11,12	Element Ø12.7 L455 1500W400V Round Heater	EL-00179 *	6
R13,14,15,16,17	PT100 Encapsulated Probe	EL-00156-01	5
R19	Resistance 3.3KΩ 6W	EL-00129-01	1
R30	Hose ISO + POL		1
TR1	Base Transformer 400/45-90V 50A 5000VA	EL-00012-02	1
TR3	Intensity Transformer 50A 4/20mA	EL-00127-19	1
V1, 2	Relay Control 100A 480V 0-10V.	EL-00126-13	2
V3	Relay Control 100A 230V 0-10V.	EL-00126-11	1
V5, 6, 7	Solid State Relay 6A 24Vdc	EL-00126-06	3

(*) Optionally for Round Block Heater



Item.	Description	Part Number	Qty.
V8	Fan 24Vdc 2W 80x80mm	EL-00133-02	1
V9	Fan 24Vdc 2W 40x40mm	EL-00133-03	1
V11	Transmitter MINI	EL-00164-02	1
V12	Module PT100 a 4-20mA	EL-00292-03	1
X1	Distributor	EL-00105-13	1
X3	CPU	EL-00171-03	1
Y1/A	Solenoid valve coil NORMAL	HI-00054-01	1
Y1/B	Solenoid valve coil RETRECT	HI-00054-01	1
	Auxiliary Contact for Adjustable Circuit Breaker	EL-00119-03	1

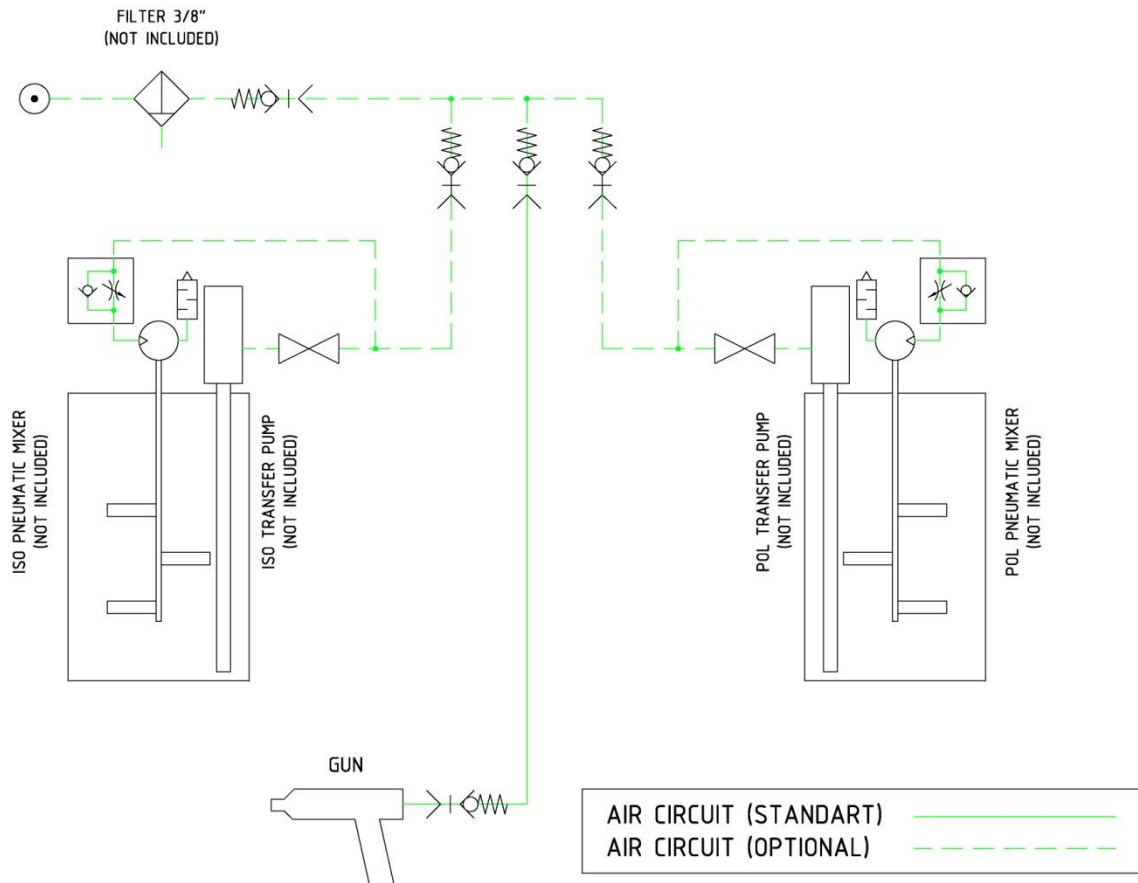


3PE~400V 50/60Hz

Figure 40. Connection 3PE~400V 50/60Hz, “G-Connect+”



PNEUMATIC SCHEMATIC DIAGRAM

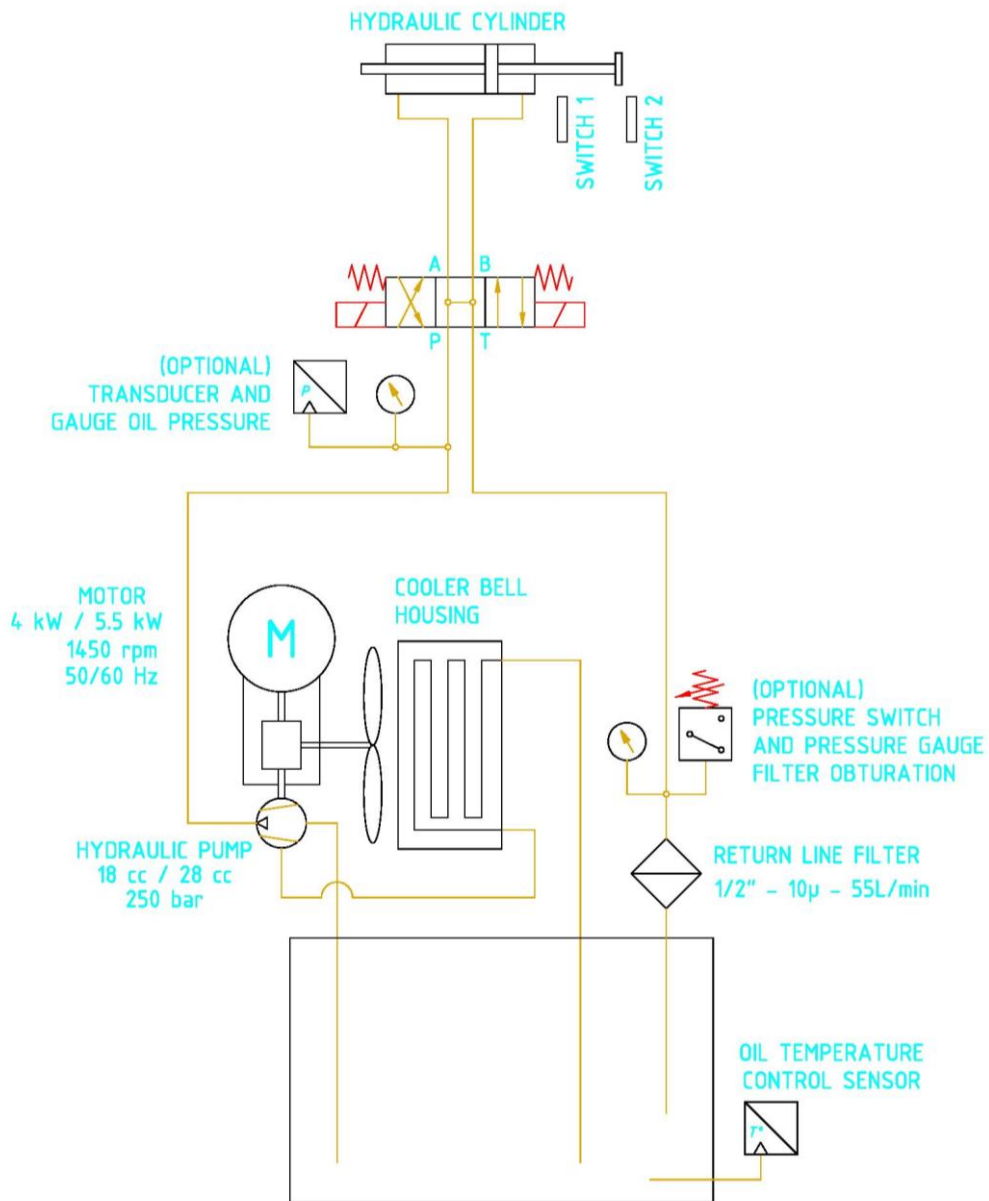


Common for G-Connect and G-Connect+

Figure 41. Pneumatic Schematic Diagram



HYDRAULIC SCHEMATIC DIAGRAM



	G-Connect	G-Connect+
Motor	4 kW	5.5 kW
Hydraulic Pump	18 cc	28 cc

Figure 42. Hydraulic Schematic Diagram



FUNCTIONING SCHEMATIC DIAGRAM

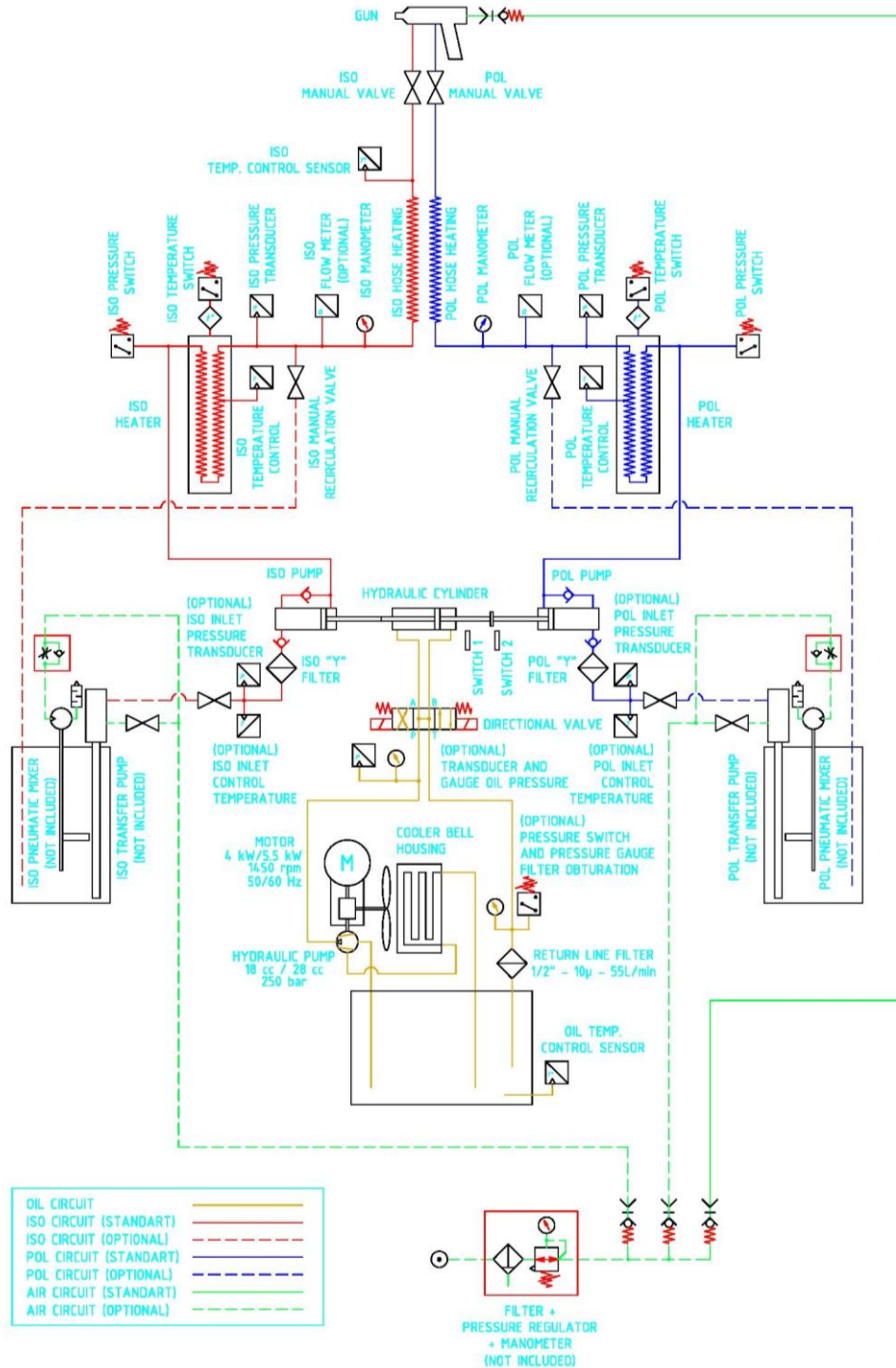


Figure 43. Functioning Schematic Diagram



TABLE OF CONTENTS

Warranty _____	2
Safety and Handling _____	3
Proportioning Unit “G- Connect” _____	6
Electrical Component Cabinet _____	13
Control Console _____	16
Hydraulic Power Unit 4kW/5.5kW 3PE~400V 50/60hz (18/28 cc hyd. Pump) _____	18
Reversing Switch Unit _____	22
Lube Reservoir Unit _____	23
Product Inlet Standard Version _____	24
Product Inlet Monitored Version _____	25
Pump line assembly _____	27
Hydraulic cylinder _____	30
“A” Proportioning pump assembly _____	32
“R” Proportioning Pump Assembly _____	35
Primary Tube Heater G-Connect _____	38
Primary Tube Heater G-Connect+ _____	41
Primary Round Block Heater G-Connect _____	44
Primary Round Block Heater G-Connect+ _____	47
Recirculation Kit Direct to Tanks _____	50
Recirculation Kit, with ISO/POL Drier _____	51
Recirculation Kit, with Drying ISO Tank _____	52
Electrical Schem. 3PE~400V 50/60hz, “G-Connect” _____	54
Electrical Schem. 3PE~400V 50/60hz, “G-Connect+” _____	66
Pneumatic Schematic Diagram _____	78
Hydraulic Schematic Diagram _____	79
Functioning Schematic Diagram _____	80
Table of Contents _____	81
List of Tables _____	82
List of Illustrations _____	83



LIST OF TABLES

Table 1. Proport. Unit “G-Connect” and “G-Connect+”, Parts List	7
Table 2. Primary Tube Heaters "A" ISO "G-Connect", Reference List	10
Table 3. Primary Round Heaters "A" ISO "G-Connect", Reference List	10
Table 4. Primary Tube Heaters "R" Resin "G-Connect", Reference List	10
Table 5. Primary Round Heaters "R" Resin "G-Connect", Reference List	10
Table 6. Primary Tube Heaters "A" ISO "G-Connect+", Reference List	11
Table 7. Primary Round Heaters "A" ISO "G-Connect+", Reference List	11
Table 8. Primary Tube Heaters "R" POL "G-Connect+", Reference List	11
Table 9. Primary Round Heaters "R" POL "G-Connect+", Reference List	11
Table 10. Electrical Console, Reference List	12
Table 11. Flow Meters Kits	12
Table 12. Electrical Component Cabinet, “G-Connect” and “G-Connect+”, Parts List	14
Table 13. Control Console “G-Connect” and “G-Connect+”, Parts List	16
Table 14. Hydraulic Power Unit 3PE~400V 50/60Hz, 4kW/5kW Motor (with 18/28cc Pump), Parts List	19
Table 15. Reversing Switch Unit, Parts List	22
Table 16. Lube Reservoir Unit, Parts List	23
Table 17. Product Inlet Standard Version, Parts List	24
Table 18. Product Inlet Monitored Version, Parts List	26
Table 19. Product Inlet Kits	26
Table 20. Pump Line Assembly, Parts List	28
Table 21. Proportioning Pump Size, Parts List	29
Table 22. Hydraulic Cylinder, Parts List	31
Table 23. “A” Proportioning Pump Assembly, Parts List	33
Table 24. “A” Proportioning Pump Assembly, Parts List	34
Table 25. Seals Monobloc “A” ISO Pump, Parts List	34
Table 26. Repair Seal Kit “A” ISO Pump, Ref.List	34
Table 27. “R” Proportioning Pump Assembly, Parts List	36
Table 28. “R” Proportioning Pump Assembly, Parts List	37
Table 29. Seals Monobloc “R” Resin Pump, Parts List	37
Table 30. Repair Seal Kit “R” Resin Pump, Ref. List	37
Table 31. Primary Tube Heater G-Connect, Parts List	39
Table 32. Tube Heater Resistances “G-Connect”, Reference List	40
Table 33. Primary Tube Heater Component List “G-Connect+”, Parts List	42



Table 34. References List Tube Heater Resistances “G-Connect+”, Ref. List_____	43
Table 35. Primary Round Block Heater G-Connect, Parts List _____	45
Table 36. Round Block Heater Resistances “G-Connect”, Reference List _____	46
Table 37. Primary Round Block Heater Component List “G-Connect+”, Parts List ____	48
Table 38. References List Round Block Heater Resistances “G-Connect+”, Ref. List__	49
Table 39. Standard Recirculation Kit #KT-00199, Parts List _____	50
Table 40. Recirculation Kit #KT-00199-01, Parts List _____	51
Table 41. Recirculation Kit #KT-00199-03, Parts List _____	52
Table 42. Elec. Schem. 3PE~400V 50/60Hz, “G-Connect” Parts List _____	64
Table 43. Elec. Schem. 3PE~400V 50/60Hz, “G-Connect+” Parts List _____	76

LIST OF ILLUSTRATIONS

Figure 1. Electrical Component Cabinet, “G-Connect” and “G-Connect+” _____	13
Figure 2. Control Console “G-Connect” and “G-Connect+” _____	16
Figure 3. Hydr. Power Unit 3PE~400V 50/60Hz, 4kW/5.5.kW Motor (with 18/28cc Pump)_	18
Figure 4. Reversing Switch Unit _____	22
Figure 5. Lube Reservoir Unit _____	23
Figure 6. Product Inlet Standard Version _____	24
Figure 7. Product Inlet Monitored Version _____	25
Figure 8. Pump Line Assembly _____	27
Figure 9. Hydraulic Cylinder _____	30
Figure 10. “A” Proportioning Pump Assembly _____	32
Figure 11. “R” Proportioning Pump Assembly _____	35
Figure 12. Primary Tube Heater G-Connect_____	38
Figure 13. ISO and POL Primary Tube Heater “G-Connect+” _____	41
Figure 14. Primary Round Block Heater G-Connect_____	44
Figure 15. ISO and POL Primary Round Block Heater “G-Connect+” _____	47
Figure 16. Recirculation Kit #KT-00199 _____	50
Figure 17. Recirculation Kit #KT-00199-01 _____	51
Figure 18. Recirculation Kit #KT-00199-03 _____	52
Figure 19. Elec. Schem. 3PE~400V 50/60Hz, “G-Connect” (Sheet 1/9)_____	54
Figure 20. Elec. Schem. 3PE~400V 50/60Hz, “G-Connect” (Sheet 2/9)_____	55
Figure 21. Elec. Schem. 3PE~400V 50/60Hz, “G-Connect” (Sheet 3/9)_____	56
Figure 22. Elec. Schem. 3PE~400V 50/60Hz, “G-Connect” (Sheet 4/9)_____	57



Parts Manual

Figure 23. Elec. Schem. 3PE~400V 50/60Hz, “G-Connect” (Sheet 5/9)	58
Figure 24. Elec. Schem. 3PE~400V 50/60Hz, “G-Connect” (Sheet 6/9)	59
Figure 25. Elec. Schem. 3PE~400V 50/60Hz, “G-Connect” (Sheet 7/9)	60
Figure 26. Elec. Schem. 3PE~400V 50/60Hz, “G-Connect” (Sheet 8/9)	61
Figure 27. Elec. Schem. 3PE~400V 50/60Hz, “G-Connect” (Sheet 9/9)	62
Figure 28. Distribution 3PE~400V 50/60Hz, “G-Connect”	63
Figure 29. Connection 3PE~400V 50/60Hz, “G-Connect”	65
Figure 30. Elec. Schem. 3PE~400V 50/60Hz, “G-Connect+” (Sheet 1/9)	66
Figure 31. Elec. Schem. 3PE~400V 50/60Hz, “G-Connect+” (Sheet 2/9)	67
Figure 32. Elec. Schem. 3PE~400V 50/60Hz, “G-Connect+” (Sheet 3/9)	68
Figure 33. Elec. Schem. 3PE~400V 50/60Hz, G-Connect+ (Sheet 4/9)	69
Figure 34. Elec. Schem. 3PE~400V 50/60Hz, “G-Connect+” (Sheet 5/9)	70
Figure 35. Elec. Schem. 3PE~400V 50/60Hz, “G-Connect+” (Sheet 6/9)	71
Figure 36. Elec. Schem. 3PE~400V 50/60Hz, “G-Connect+” (Sheet 7/9)	72
Figure 37. Elec. Schem. 3PE~400V 50/60Hz, “G-Connect+” (Sheet 8/9)	73
Figure 38. Elec. Schem. 3PE~400V 50/60Hz, “G-Connect+” (Sheet 9/9)	74
Figure 39. Distribution 3PE~400V 50/60Hz, “G-Connect+”	75
Figure 40. Connection 3PE~400V 50/60Hz, “G-Connect+”	77
Figure 41. Pneumatic Schematic Diagram	78
Figure 42. Hydraulic Schematic Diagram	79
Figure 43. Functioning Schematic Diagram	80