



Parts Manual

Proportioning Unit

"G-Connect" & "G-Connect+"

Issue 1.6 - 05/03/2024

Ref. NR-00049-ENG



Before installing the unit and starting it up, carefully read all the technical and safety documentation included in this manual. Pay special attention to the information to know and understand the handling and the conditions of use of the unit. All of the information is aimed at enhancing User Safety and avoiding possible breakdowns derived from the incorrect use of the unit.



Parts Manual

WARRANTY

HI-TECH SPRAY EQUIPMENT, S. A. (hereinafter “HI-TECH”) grants this Limited Guarantee to the original buyer (hereinafter the “Client”) for the unit and the original accessories given with the unit (hereinafter the “Product”) against any fault in the design, materials or manufacture of the Product at the time of the first purchase by the user and for a duration of two (2) years thereafter.

If during the guarantee period and under normal conditions of use, the Product should fail to work correctly due to defects of design, material or manufacture, the authorised distributor of the country where the HI-TECH Product or technical assistance service has been purchased shall repair or replace the Product in accordance with what is established in the following:

CONDITIONS

- a) The validity of this guarantee will be subject to the presentation of the original invoice issued by the HI-TECH authorised distributor for the sale of the Product along with the Product handed over for repair or replacement, which must show the date of purchase and the serial number. HI-TECH reserves the right to refuse to give the guarantee service when the indicated data fail to appear on the invoice or have been modified after the purchase of the Product.
- b) The repaired or replaced Product will continue to maintain the original guarantee for the time remaining until the end of the guarantee or for three (3) months from the repair date, if the remaining period of the original guarantee were shorter.
- c) This guarantee will not be applied to the faults in the Product caused by its faulty installation, the natural wear and tear of the components, any use other than that considered normal for this Product or which should fail to strictly comply with the instructions of use provided by HI-TECH; due to accident, carelessness, adjustments, alterations or modifications of the Product not authorised by HI-TECH or due to the use of accessories, heating devices, pumping equipment and/or dispensers that have not been approved or manufactured by HI-TECH.
- d) The guarantee applicable to the components and accessories forming part of the Product and which have not been made by HI-TECH will be limited to the guarantee offered by the original manufacturer thereof.

HI-TECH WILL NOT RECOGNISE ANY EXPRESS ORAL OR WRITTEN GUARANTEES OTHER THAN THIS PRINTED LIMITED GUARANTEE. ALL IMPLICIT GUARANTEES, INCLUDING, WITHOUT LIMIT, ADAPTATION FOR A SPECIFIC USE, ARE SUBJECT TO THE DURATION OF THIS WRITTEN GUARANTEE. HI-TECH DOES NOT ASSUME ANY KIND OF COMMITMENT OR RESPONSIBILITY FOR ALL POSSIBLE DAMAGE OR EXPENSE CAUSED BY FAULTS IN THE OUTPUT OF THE PRODUCT, ITS WORKING OR THE DISPENSING OF MATERIAL THROUGH THE PRODUCT, INCLUDING, WITHOUT LIMITATION, ALL EXPENSES CAUSED BY DAMAGE TO PEOPLE OR PROPERTY. EQUALLY, HI-TECH WILL IN NO CASE ACCEPT LIABILITY FOR THE LOSS OF SPECULATIVE PROFITS OR COMMERCIAL LOSSES. ALL REPAIRS OR REPLACEMENT OF FAULTY PRODUCTS WILL CONSTITUTE THE COMPREHENSIVE FULFILMENT OF HI-TECH'S OBLIGATIONS WITH RESPECT TO THE CLIENT. HI-TECH DOES NOT IN ANY WAY GUARANTEE THE SUITABILITY OR APTITUDE OF ITS PRODUCT FOR ANY PARTICULAR PURPOSE OR APPLICATION.

All information provided on components which have not been manufactured by HI-TECH and which is based on reports received from the original manufacturer, though considered precise and reliable, is provided without any guarantee or responsibility of any explicit or implicit kind.

All concession, sale or financial leasing of the Product by HI-TECH in no case explicitly or implicitly constitutes any authorisation, acceptance or concession for the use of any rights or patents, nor does it encourage, nurture or back their infringement.

The restrictions on the guarantee suppose no limitation on the legal rights of the consumer established in applicable national legislation, nor do they affect any rights derived from the bargain and sale agreement between the consumer and supplier.



All information provided in this manual has been included in the confidence that it is true, although it does not constitute any responsibility or implicit or explicit guarantee. HI-TECH reserves the right at any time and without prior warning to make all improvements and modifications necessary to this manual, in order to rectify any possible typographical errors, increase the information contained or insert the changes caused to the characteristics and performance of the unit.

SAFETY AND HANDLING

The equipment described in this manual has been designed and manufactured in compliance with the following European Directives, following as application guide the harmonized standards detailed and in conformity with the relevant UK Statutory Instruments (and their amendments):



Directive 2006/42/EC on machinery (UK Supply of Machinery (Safety) Regulations 2008)

UNE EN 12100:2012 (BS EN ISO 12100:2010)

Directive 2014/30/EU on electromagnetic compatibility (UK Electromagnetic Compatibility Regulations 2016) (*)

UNE EN 55011 (BS UNE EN 55011)

UNE EN 55016-2-1 (BS UNE EN 55016-2-1); UNE EN 55016-2-3 (BS UNE EN 55016-2-3); UNE EN 55032 (BS UNE EN 55032)

UNE EN 61000-3-2 (BS UNE EN 61000-3-2); UNE EN 61000-3-3 (BS UNE EN 61000-3-3); UNE EN 61000-4-2 (BS UNE EN 61000-4-2); UNE EN 61000-4-3 (BS UNE EN 61000-4-3); UNE EN 61000-4-4 (BS UNE EN 61000-4-4); UNE EN 61000-4-5 (BS UNE EN 61000-4-5); UNE EN 61000-4-6 (BS UNE EN 61000-4-6); UNE EN 61000-4-8 (BS UNE EN 61000-4-8); UNE EN 61000-4-11 (BS UNE EN 61000-4-11)

() The Unit may experience a degradation of its immunity in the presence of radiated electromagnetic disturbances (IEC 61000-4-3) in the frequency range between 80MHz and 700MHz under an electric field level of 10 V / m, resulting in a temporary loss of function, self-recoverable, according to performance criterion C of the Standard.*

Directive 2014/68/EU on pressure equipment (UK Pressure Equipment (Safety) Regulations 2016)

UNE EN 809:1999 +A1 (BS EN 809:1998 +A1:2009)

Directive 2014/35/EU on electrical safety (UK Electrical Equipment (Safety) Regulations 2016)

UNE EN 60204-1:2019 (BS EN 60204-1:2018)

Directive 2003/10/EC on noise level (UK The Control of Noise at Work Regulations 2005)

UNE EN ISO 3740 (BS EN ISO 3740:2019)

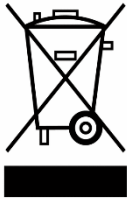
UNE EN ISO 3746 (BS EN ISO 3746:2010)



Parts Manual

Directive 2011/65/EU on the restriction of the use of certain hazardous substances in electrical and electronic equipment with amendment 2015/863/EU (UK The Restriction of the Use of Certain Hazardous Substances in Electrical and Electronic Equipment Regulations 2012)

Directive 2012/19/EU on waste electrical and electronic equipment (UK The Waste Electrical and Electronic Equipment Regulations 2013)



Electrical products cannot be thrown out with the rubbish. They must be taken to a dedicated collection point for an environmentally sound disposal in accordance with local regulations. You must contact your local collective or retailer for information about recycling. Before leaving WEEE at appropriate collection facilities, batteries must be removed and disposed of separately for proper recycling. The packaging materials are recyclable. Dispose of packaging materials in an environmentally sound manner and place them at the disposal of recycling sectors.

TRANSPORT AND STORAGE

Proper precautions must be taken so that the equipment can withstand the effects of transport and storage temperatures between -25°C and +55°C or up to +70°C for short periods that do not exceed 24 hours. Also, appropriate means to prevent damage from moisture, vibrations or shocks must be foreseen.

This chapter contains information on the safety, handling and use of the **G-CONNECT** series metering unit.



Before installing the unit and starting it up, carefully read all the technical and safety documentation included in this manual. Pay special attention to the information to know and understand the operation and the conditions of use of the unit. All of the information is aimed at enhancing User Safety and avoiding possible breakdowns derived from the incorrect use of the unit.

¡WARNING! Establishes information to alert on a situation that might cause serious injuries if the instructions are not followed.

¡PRECAUTION! Establishes information that indicates how to avoid damage to the unit or how to avoid a situation that could cause minor injuries.

NOTE: is relevant information on a procedure being carried out.

Careful study of this manual will enable the operator to know the characteristics of the unit and the operating procedures. By following the instructions and recommendations contained herein, you will reduce the potential risk of accidents in the installation, use or maintenance of the unit; you will provide a better opportunity for incident-free operation for a longer time, greater output and the possibility of detecting and resolving problems fast and simply.

Keep this Service Manual for future consultation of useful information at all times. If you lose this manual, ask for a new copy from your **HI-TECH** local distributor or directly contact **HI-TECH SPRAY EQUIPMENT**.

¡WARNING! The design of the G-Connect and G-Connect+ dosing unit does not allow it to be used in potentially explosive atmospheres or to exceed the pressure and temperature limits described in the technical specifications of this manual.



When working with the unit, it is recommended that the operator wear suitable clothing and elements of personal protection, including, without limitation, gloves, protective goggles, safety footwear and face masks. Use breathing equipment when working with the machine in enclosed spaces or in areas with insufficient ventilation. The introduction and follow-up of safety measures must not be limited to those described in this manual. Before starting up the machine, a comprehensive analysis must be made of the risks derived from the products to be dispensed, the type of application and the working environment



To prevent all possible bodily harm caused by incorrect handling of the raw materials and solvents used in the process, carefully read the safety information provided by your supplier.

Deal with the waste caused according to current regulations.



Disconnect the unit from the power supply before carrying out any operation inside the electrical console.

The electrical maintenance of the machine must only be performed by a qualified electrician.



To avoid damage caused by the impact of pressurized fluids, do not open any connection or perform maintenance work on components subject to pressure until the pressure has been completely eliminated.

Use suitable protection when operating, maintaining or remaining in the operating area of the unit. This includes, but is not limited to, the use of masks, protective goggles, gloves, shoes and safety clothing.



The unit includes components that reach temperatures that are liable to cause burns. The hot parts of the unit must not be handled until they have cooled.



To prevent serious harm by crushing or loss of limbs, do not work with the unit without the safety guards installed on all moving parts. Make sure that all of the safety protections are correctly reinstalled after all repair or maintenance work is completed.



PROPORTIONING UNIT “G-CONNECT”

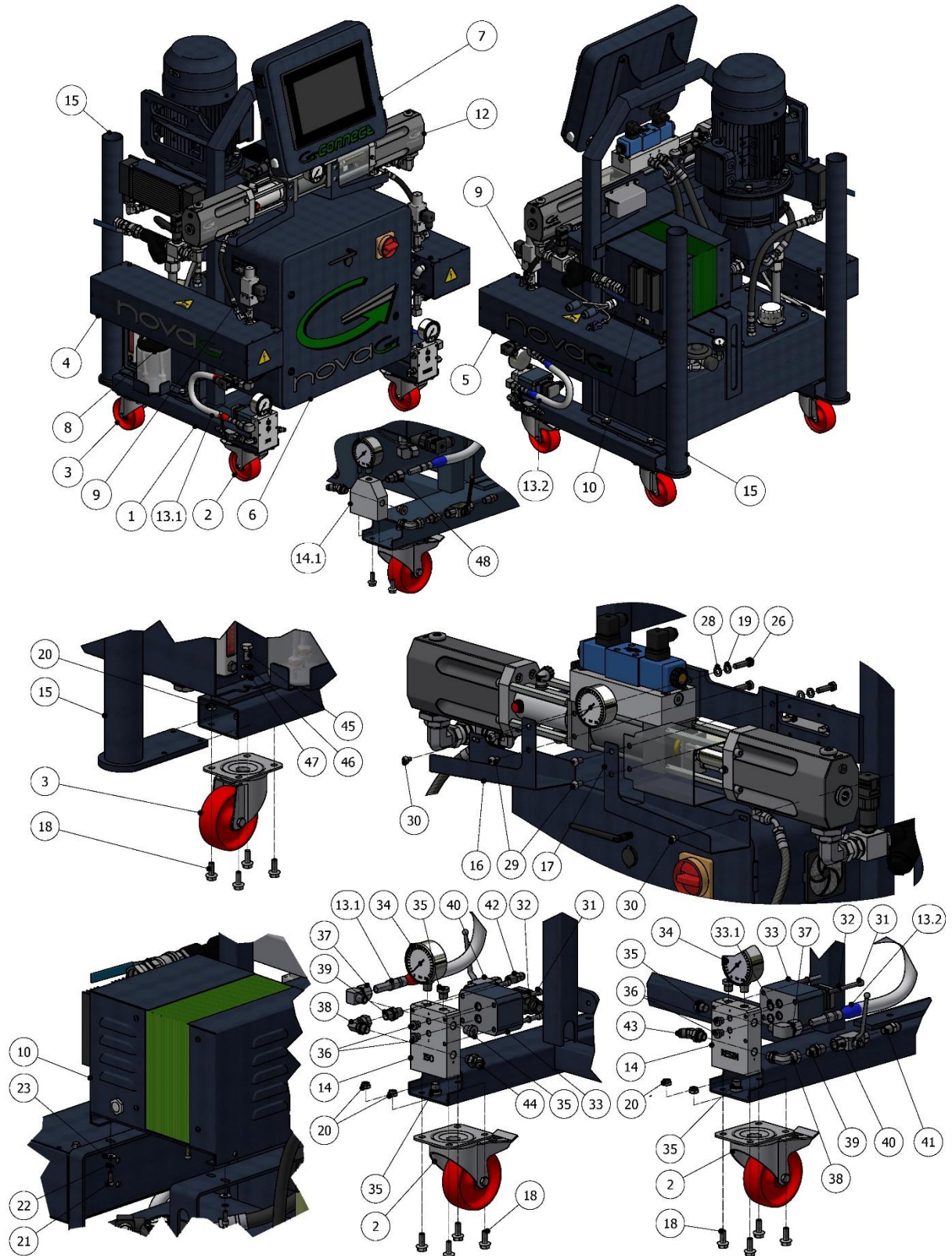


Figure 1. Proportioning Unit “G-Connect” and “G-Connect+”



Table 1. Proport. Unit “G-Connect” and “G-Connect+”, Parts List

Item	Description	Part Number	Qty.
1	Frame Assembly	MQ-21001-00	1
2	Front Wheel with Brake	MQ-01002	2
3	Back Wheel	MQ-01016	2
4	A Primary Heater	See Table 2	1
5	R Primary Heater	See Table 3	1
6	Electrical Components Cabinet	See Table 6	1
7	Control Console Assembly “G-Connect”	EL-00293	1
	Control Console Assembly “G-Connect+”	EL-00307	
8	Lube Reservoir	MQ-01022	1
9	Pump/Heater Hose	MA-00212	2
10	Hose Transformer	EL-00127-24	1
12	Pump Line Assembly	NPU-06400-012G	1
13.1	ISO Hose, Heater - Distributor	MA-00213	1
13.2	POL Hose, Heater - Distributor	MA-00214	1
14	Flow meter Manifold (OPTIONAL)	MQ-21008	2
14.1	Outlet Manifold without Flow meter (STANDARD)	MQ-21012-01	
15	Transfer Pump Support Assy (OPTIONAL)		2
16	ISO Drip Pan	MQ-21005	1
17	POL Drip Pan	MQ-21006	1
18	Hex. Flange Cap Screw	TN-00507	16
19			
20	Nut (without transfer pumps) STANDARD	TN-00283	12
	Nut (with transfer pumps) OPTIONAL		4
21	Hex. Cap Screw	TN-00453	4
22	Washer	TN-00025	4
23	Washer	TN-00395	4
24			
25			
26	Hex. Cap Screw	TN-00054	4
27	Washer	TN-00028	4
28	Washer	TN-00119	4



Parts Manual

Item	Description	Part Number	Qty.
29	“ULS” Cap Screw	TN-00237	4
30	“ULS” Cap Screw	TN-00248	2
31	Allen Cap Screw (OPCIONAL)	TN-00178	8
32	Washer (OPCIONAL)	TN-00048	8
33	Flow meter (OPCIONAL)	EL-00079-01	2
33.1	O-ring (included in Pos. 33) 2x Flow meter	OR-00119	
34	Pressure Gauge	HI-00035	2
35	Plug (OPTIONAL)	RA-00013	6
36	Plug (OPTIONAL)	RA-00211	4
37	90° Elbow, for Pipe 12 (OPTIONAL)	RA-00038	2
38	90° Swivel Elbow	RA-00496	2
39	Male Union	RA-00138	2
40	Ball Valve	RA-00217	2
41	Male Union POL	RA-00147	1
42	Male Union ISO	RA-00146	1
43	45° Swivel Elbow POL	RA-00041	1
44	45° Swivel Elbow ISO	RA-00042	1
45	Hex. Cap Screw	TN-00465	4
46	Washer	TN-00087	4
47	Washer	TN-00162	4
48	Straight Tube Fitting Ø12 (STANDARD)	RA-00033	2



Table 2. Primary Heaters "A" ISO "G-Connect", Reference List

Reference		Description
NCL-21007-00CT	400V	A Primary Heater 6000 W with Transducer / 250 bar – 3500 psi / 400 V
NCL-21007-00FT	230V	A Primary Heater 6000 W with Transducer / 250 bar – 3500 psi / 230 V

Table 3. Primary Heaters "R" Resin "G-Connect", Reference List

Reference		Description
NCL-21008-00CT	400V	R Primary Heater 6000 W with Transducer / 250 bar – 3500 psi / 400 V
NCL-21008-00FT	230V	R Primary Heater 6000 W with Transducer / 250 bar – 3500 psi / 230 V

Table 4. Primary Heaters "A" ISO "G-Connect+", Reference List

Reference		Description
NCL-21001-00AT	400V	A Primary Heater 8000 W with Transducer / 250 bar – 3500 psi / 400 V
NCL-21001-00GT	230V	A Primary Heater 8000 W with Transducer / 250 bar – 3500 psi / 230 V

Table 5. Primary Heaters "R" POL "G-Connect+", Reference List

Reference		Description
NCL-21002-00AT	400V	R Primary Heater 8000 W with Transducer / 250 bar – 3500 psi / 400 V
NCL-21002-00GT	230V	R Primary Heater 8000 W with Transducer / 250 bar – 3500 psi / 230 V



Table 6. Electrical Console, Reference List

Reference	Description	Model Machine
NEL-00291	Electrical Console Assy (3PE~400V, 3 Phase Motor, for PLC & Logger)	G-Connect
NEL-00317		G-Connect+
NEL-00291-230	Electrical Console Assy (3PE~230V, 3 Phase Motor, for PLC & Logger)	G-Connect
NEL-00317-230		G-Connect+

Table 7. Flow Meters Kits

Reference	Description	Model Machine
KT-00200 ①	Flow Meters Kit (Spare Part)	G-Connect
		G-Connect+
KT-200-ASSY ②	Flow Meters Kit (factory assembled on machine)	G-Connect
		G-Connect+

① Order only as a spare part.

② Order only for new machines.



ELECTRICAL COMPONENT CABINET

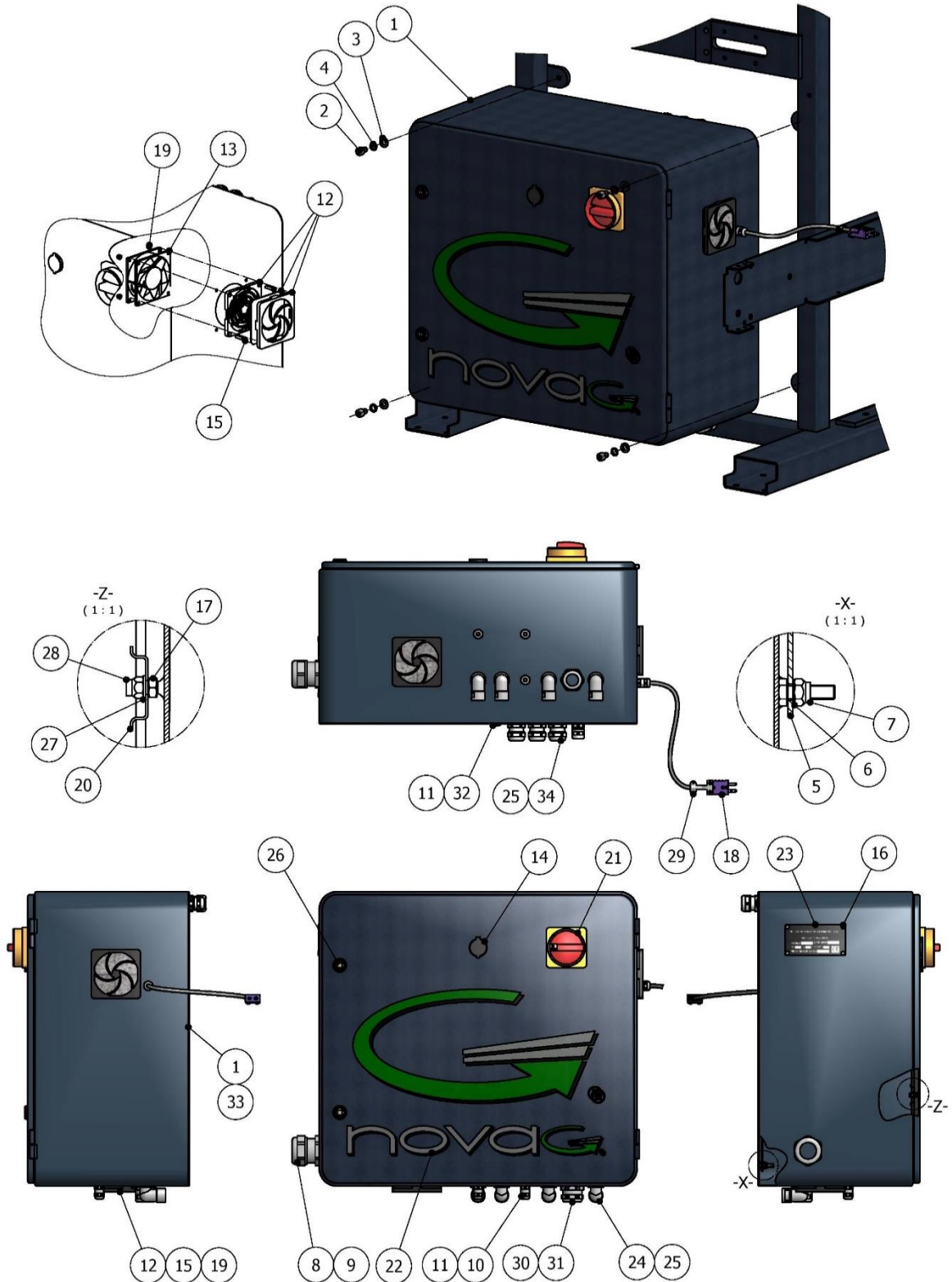


Figure 1. Electrical Component Cabinet, "G-Connect" and "G-Connect+"



Parts Manual

Table 8. Electrical Component Cabinet, “G-Connect” and “G-Connect+”, Parts List

Item	Description	Part Number	Qty.
1	Finished Cabinet Box	NEL-00291-02	1
2	Allen Cap Screw	TN-00186	4
3	Washer	TN-00119	4
4	Washer	TN-00038	4
5	Plain Mounting Plate	EL-00291-A	1
6	Washer	TN-00024	4
7	Lock Nut	TN-00476	4
8	Cable Gland	EL-00088-04	1
9	Nut	EL-00090-05	1
10	Cable Gland	EL-00088-00	4
11	Nut	EL-00090-00	5
12	Airing Grille Assy (with Filter)	EL-00132-01	2
13	Fan	EL-00133-02	1
14	Ethernet Port	EL-00078-10	1
15	Countersunk Cap Screw	TN-00484	8
16	Rivet	TN-00240	4
17	Nut	TN-00107	3
18	Male Connector Type E	EL-00096-84	1
19	Lock Nut	TN-00485	8
20	DIN 35 Rail	EL-00106-00	0.47
21	Main Switch	EL-00107-18	1
	Selector Handle, Red/Ylw	EL-00107-19	1
22	Vinyl	EM-00123	1
23	ID Plate	MQ-01010	1
24	90° Elbow Cable Gland	EL-00087-01	4
25	Nut	EL-00090-01	7
26	Door Lock Set	EL-00034	2
27	Washer	TN-00103	3



Item	Description	Part Number	Qty.
28	Lock Nut	TN-00486	3
29	Cable Clip	EL-00096-86	1
30	Cable Gland	EL-00088-01	1
31	Nut	EL-00090-03	1
32	Plug	EL-00183	1
33	Rubber Seal	EL-00001-06	2 m
34	Cable Gland	EL-00088-02	3



CONTROL CONSOLE

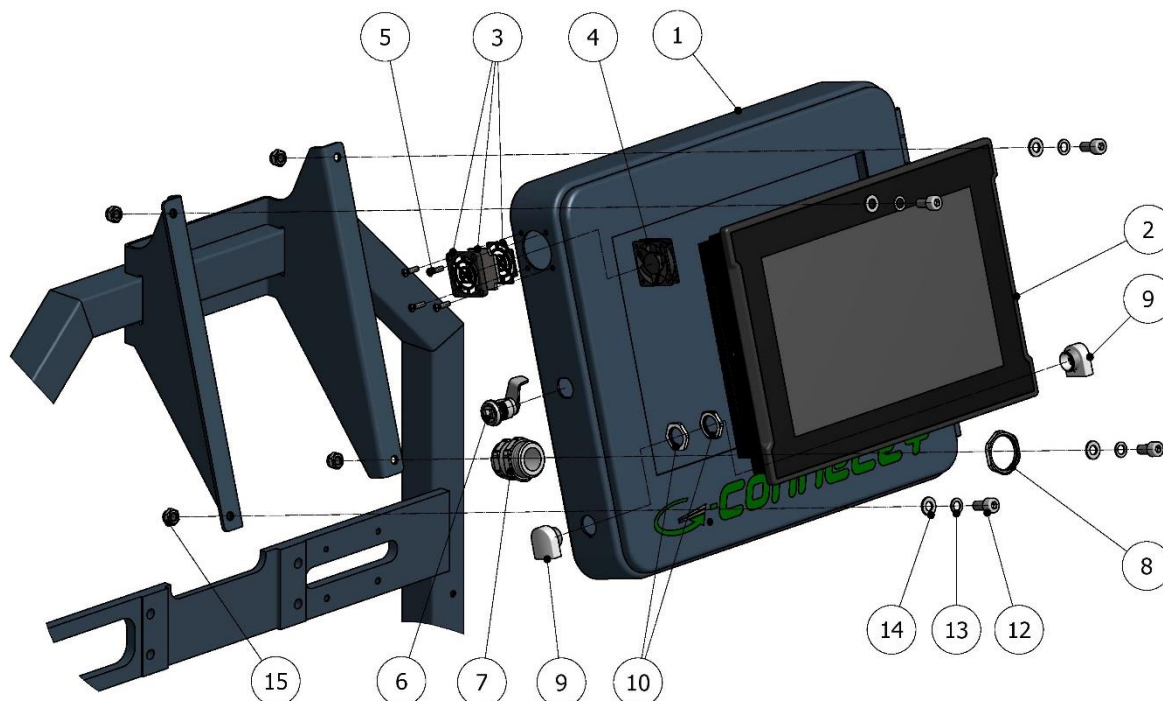


Figure 2. Control Console “G-Connect” and “G-Connect+”

Table 9. Control Console “G-Connect” and “G-Connect+”, Parts List

Item	Description	Part Number	Qty.
1	Cabinet Box with Hinged Door	NEL-00293-01	1
2	Touch Screen 12”	EL-00292	1
3	Airing Grille Assy (with Filter)	EL-00132-02	1
4	Fan	EL-00133-03	1
5	Countersunk Cap Screw	TN-00488	4
6	Lock Set	EL-00034	1
7	Cable Gland	EL-00088-01	1
8	Nut	EL-00090-03	1
9	Airing Grille	EL-00158-05	2
10	Nut (included in Item.9)	-	2
11(#)	Vinyl “G- Connect”	EM-00124	1
	Vinyl “G-Connect+”	EM-00125	

(#) Parts not marked on the drawing.



Item	Description	Part Number	Qty.
12	Allen Cap Screw	TN-00186	4
13	Washer	TN-00038	4
14	Washer	TN-00119	4
15	Lock Nut	TN-00283	4
16 (*)	Cable HDMI – VGA	EL-00103-27	1
17 (*)	Cable USB (PC-Screen)	EL-00103-28	1
18 (*)	Rubber Seal	EL-00001-06	1.5 m

(*) Parts not marked on the drawing.



**HYDRAULIC POWER UNIT 4kW/5.5KW 3PE~400V 50/60Hz
(18/28 cc hyd. Pump)**

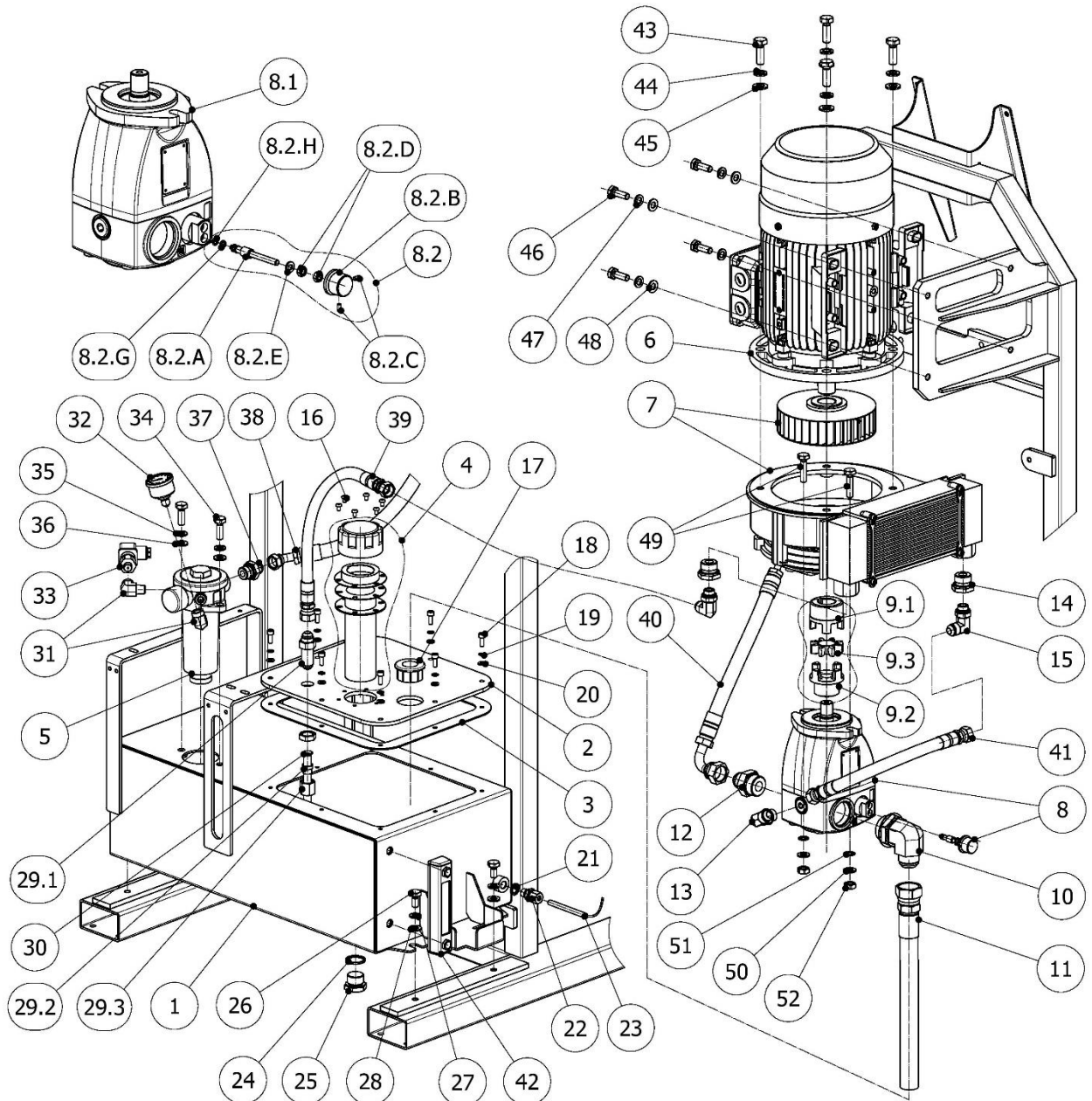


Figure 3. Hydr. Power Unit 3PE~400V 50/60Hz, 4kW/5.5.kW Motor (with 18/28cc Pump)



Table 10. Hydraulic Power Unit 3PE~400V 50/60Hz, 4kW/5kW Motor (with 18/28cc Pump), Parts List

Item	Description	Part Number	Qty.
1	Hydraulic Tank Assembly 28L	MQ-21002-00	1
2	Hyd. Tank Cover, Motor 4kW/5.5kW, 18/28cc Pump	MQ-21013-02	1
3	Inspection Cover Gasket	MQ-21004	1
4	Filling Filter Plug	HI-00002	1
5	Hyd. Return Filter	HI-00123	1
6	Motor 4kW 400v 50/60Hz	EL-00138-04	1
	Motor 5.5kW 400v 50/60Hz	EL-00138-01	
7	Bell Housing with oil Cooling, Motor 4kW/5.5kW - 18/28cc	HI-00210	1
8	18cc Pump Assembly with Pressure Regulator	HI-00190-G30H	1
	28cc Pump Assembly with Pressure Regulator	HI-00238-G50H	
8.1	Pump 18cc	HI-00190	1 (°)
	Pump 28cc	HI-00238-00	
8.2	Pressure Regul. Assembly 18/28cc	HI-00149-00	1 (°)
8.2.A	Pressure Regul. bolt 18/28cc (without gaskets and nut)	HI-00149-01	1 (@)
8.2.B	Pressure Regul. knob 18/28cc	GU-02007	1 (@)
8.2.C	Lock Pin 18/28cc	TN-00099	2 (@)
8.2.D	Stop Nut 18/28cc	TN-00108	2 (@)
8.2.E	Washer 18/28cc	TN-00024	1 (@)
8.2.F			
8.2.G	Anti-Extrusion Ring (supplied with pump)	(*)	1
8.2.H	O-Ring (supplied with pump)	(*)	1
9	Elastic Coupling Assembly	HI-00046-00	1
9.1	4kW/5.5kW Motor Side Bushing	HI-00006-02	1 (&)
9.2	18/28cc Pump Side Bushing	HI-00046-01	1 (&)
9.3	Spidex	HI-00006-01	1 (&)
10	Elbow 90°	RA-00568	1
11	Suction Hose	MA-00232	1

(°) Parts included in Item 8.

(@)Parts included in Item 8.2

(*)Parts included in Item 8.1

(&)Parts included in Item 9



Parts Manual

Item	Description	Part Number	Qty.
12	Male Union	RA-00500	1
13	Swivel Elbow 90°	RA-00058	1
14	Reduction	RA-00260	2
15	Swivel Elbow 90°	RA-00558	2
16	ULS Cap Screw	TN-00166	6
17	Rubber Bulkheads	HI-00140	1
18	Allen Cap Screw	TN-00026	8
19	Washer	TN-00025	8
20	Washer	TN-00024	8
21	Metal O-ring	OR-00054	1
22	Fitting	RA-00231	1
23	Temperature Probe	EL-00156-01	1
24	Metal O-ring	OR-00082	1
25	Plug	RA-00022	1
26	Hex. Cap Screw	TN-00465	4
27	Lock Washer	TN-00087	4
28	Washer	TN-00162	4
29	Bulkhead Assy	RA-00060	1
29.1	Bulkhead	RA-00172	1 (\$)
29.2	Ferrule	RA-00173	1 (\$)
29.3	Nut Ferrule	RA-00174	1 (\$)
30	Drainpipe	HI-00212	1
31	Elbow 90° Male-Female	RA-00416	1+1 (#)
32	Safety Pressure Gauge (included in Item.5)	HI-00123	1
33	Safety Pressure Switch (OPTIONAL)		1
34	Hex. Cap Screw	TN-00163	2
35	Lock Washer	TN-00087	2
36	Washer	TN-00162	2
37	Male Union	RA-00316	1
38	Return Hose	HI-00213	1

(\$) Parts included in Item 29.

(#) 1 piece standard version and one piece for optional mounting.



Item	Description	Part Number	Qty.
39	Return Drain Hose	HI-00214	1
40	Pressure Hose	HI-00215	1
41	Drain Hose Pump	HI-00216	1
42	Hyd. Level / Thermometer	HI-00001	1
43	Hex. Cap Screw	TN-00199	4
44	Lock Washer	TN-00039	4
45	Washer	TN-00040	4
46	Hex. Cap Screw	TN-00129	4
47	Lock. Washer	TN-00087	4
48	Washer	TN-00162	4
49	Hex. Cap Screw	TN-00392	2
50	Lock Washer	TN-00145	2
51	Washer	TN-00162	2
52	Hex. Nut	TN-00105	2



REVERSING SWITCH UNIT

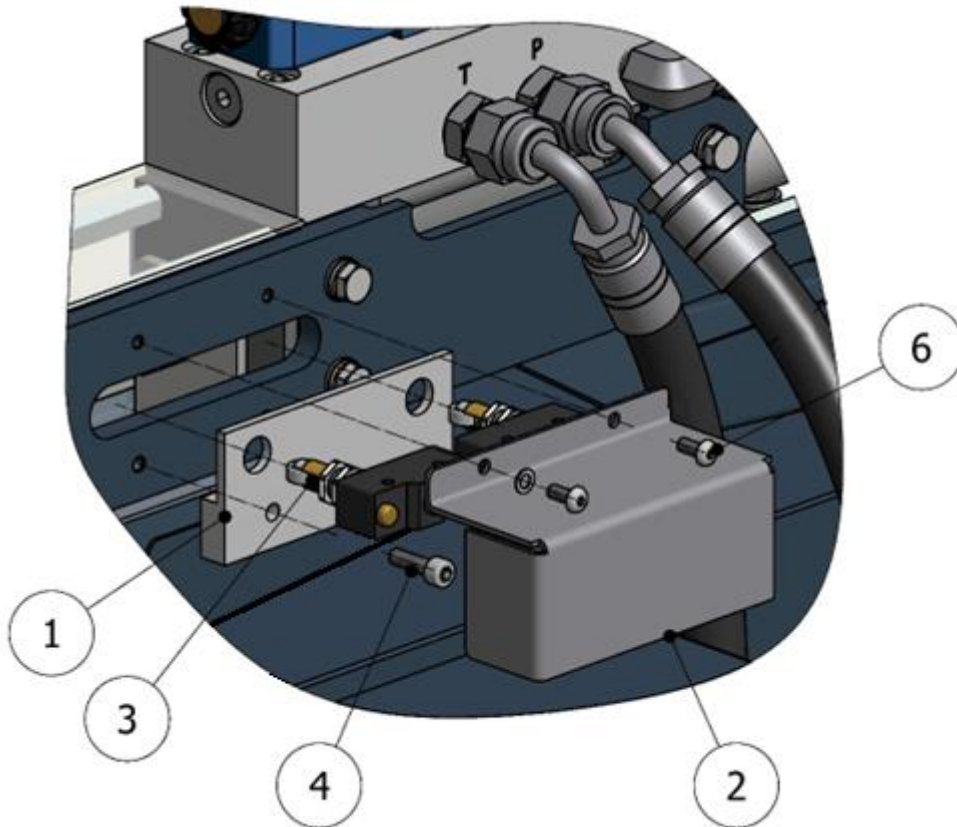


Figure 4. Reversing Switch Unit

Table 11. Reversing Switch Unit, Parts List

Item	Description	Part Number	Qty.
1	Reversing Switch Support	MQ-01005	1
2	Reversing Switch Cover	MQ-01006	1
3	Reversing Switch (with 2 nuts)	EL-00020	2
4	Allen Cap Screw	TN-00026	2
5			
6	ULS Cap Screw	TN-00166	2
7			

LUBE RESERVOIR UNIT

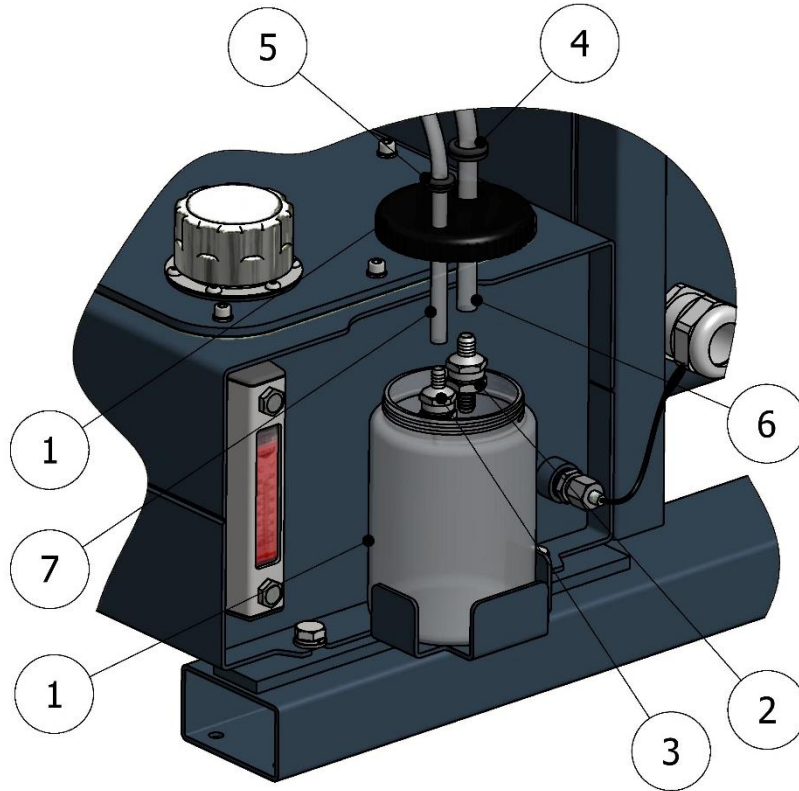


Figure 5. Lube Reservoir Unit

Table 12. Lube Reservoir Unit, Parts List

Item	Description	Part Number	Qty.
1	Lube Reservoir Bottle with Drilled Cap (*)	MQ-01009-01	1
2	Lube Reservoir Check Valve for Pipe 12x1	RA-00068	1
3	Lube Reservoir Check Valve for Pipe 10x1	RA-00283	1
4	Rubber Grommet	EL-00095-03	1
5	Rubber Grommet	EL-00095-01	1
6	Supply Line	MA-00025	1
7	Return Line	MA-00024	1

() The tank and cover Item.1 are indivisible, they cannot be supplied separately.*



PRODUCT INLET STANDARD VERSION

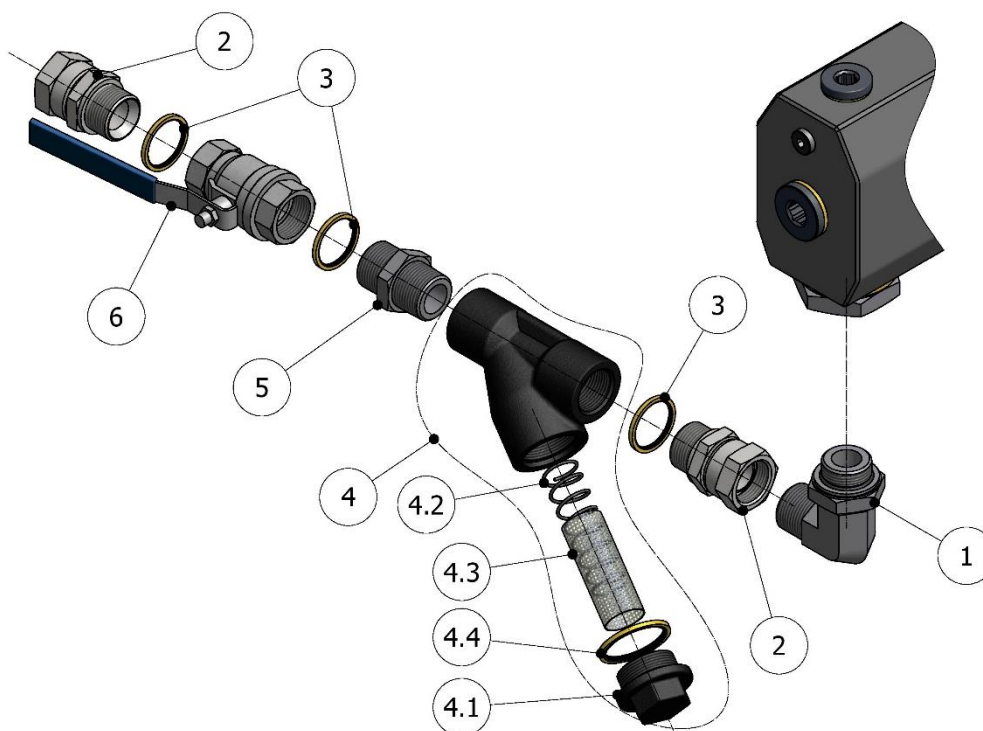


Figure 6. Product Inlet Standard Version

Table 13. Product Inlet Standard Version, Parts List

Item	Description	Part Number	Qty.
1	Swivel Elbow 90°	RA-00072	2
2	Swivel Union	RA-00073	4
3	Metal O-ring	OR-00082	6
4	“Y” Filter	RA-00074-00	2
4.1	Filter Plug	RA-00074-01	2
4.2	Filter Spring	SP-00017	2
4.3	Filter Mesh	RA-00074-03-30	2
4.4	Filter O-ring	OR-00061	2
5	Male Union	RA-00143	2
6	Ball Valve	RA-00078	2

Valid for both products inlet.



PRODUCT INLET MONITORED VERSION

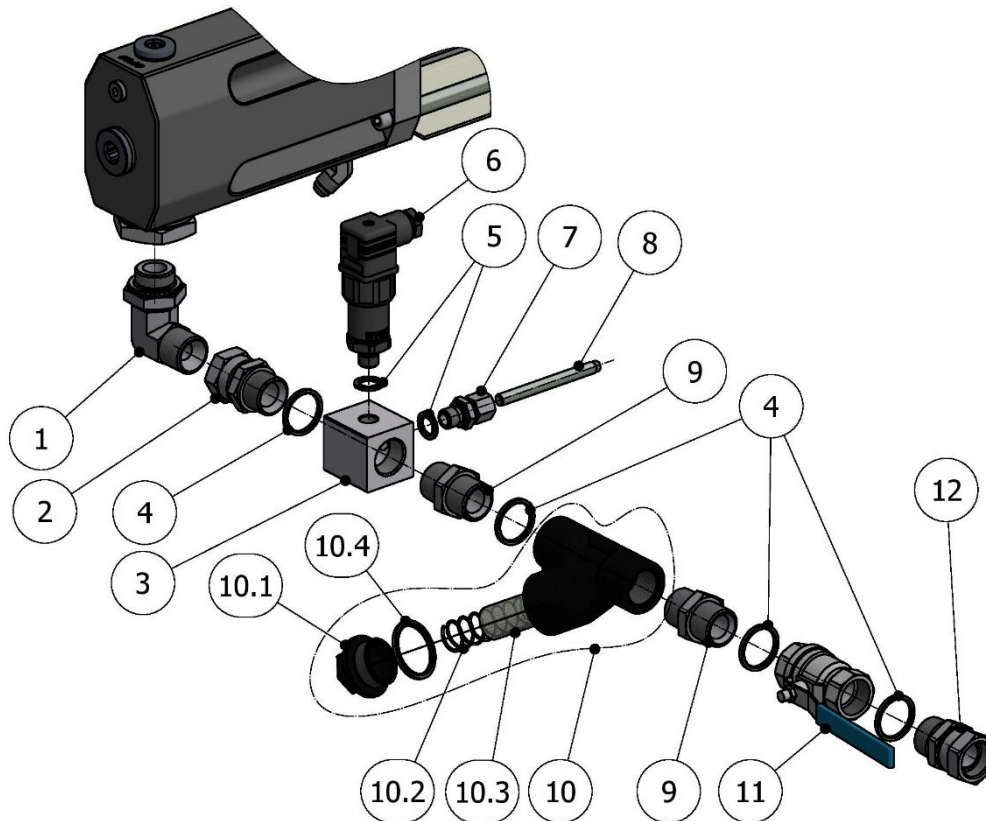


Figure 7. Product Inlet Monitored Version



Table 14. Product Inlet Monitored Version, Parts List

Item	Description	Part Number	Qty.
1	Swivel Elbow 90°	RA-00072	2
2	Swivel Union	RA-00073	2
3	Sensor Block	MQ-21003	2
4	Metal O-ring	OR-00082	8
5	Metal O-ring	OR-00054	4
6	Pressure Transducer	HI-00033	2
7	Fitting	RA-00231	2
8	Temperature Probe	EL-00156-01	2
9	Male Union	RA-00143	4
10	“Y” Filter	RA-00074-00	2
10.1	Filter Plug	RA-00074-01	2
10.2	Filter Spring	SP-00017	2
10.3	Filter Mesh	RA-00074-03-30	2
10.4	Filter O-ring	OR-00061	2
11	Ball Valve	RA-00078	2
12	Swivel Union	RA-00073	2

Valid for both product inlet. Quantities are totals per machine.

Table 15. Product Inlet Kits

Reference	Description	Model Machine
KT-00201 ①	Temperature and Pressure inlet control kit (Spare Part)	G-Connect
		G-Connect+
KT-201-ASSY ②	Temperature and Pressure inlet control kit (factory assembled on machine)	G-Connect
		G-Connect+

① Order only as a spare part.

② Order only for new machines.



PUMP LINE ASSEMBLY

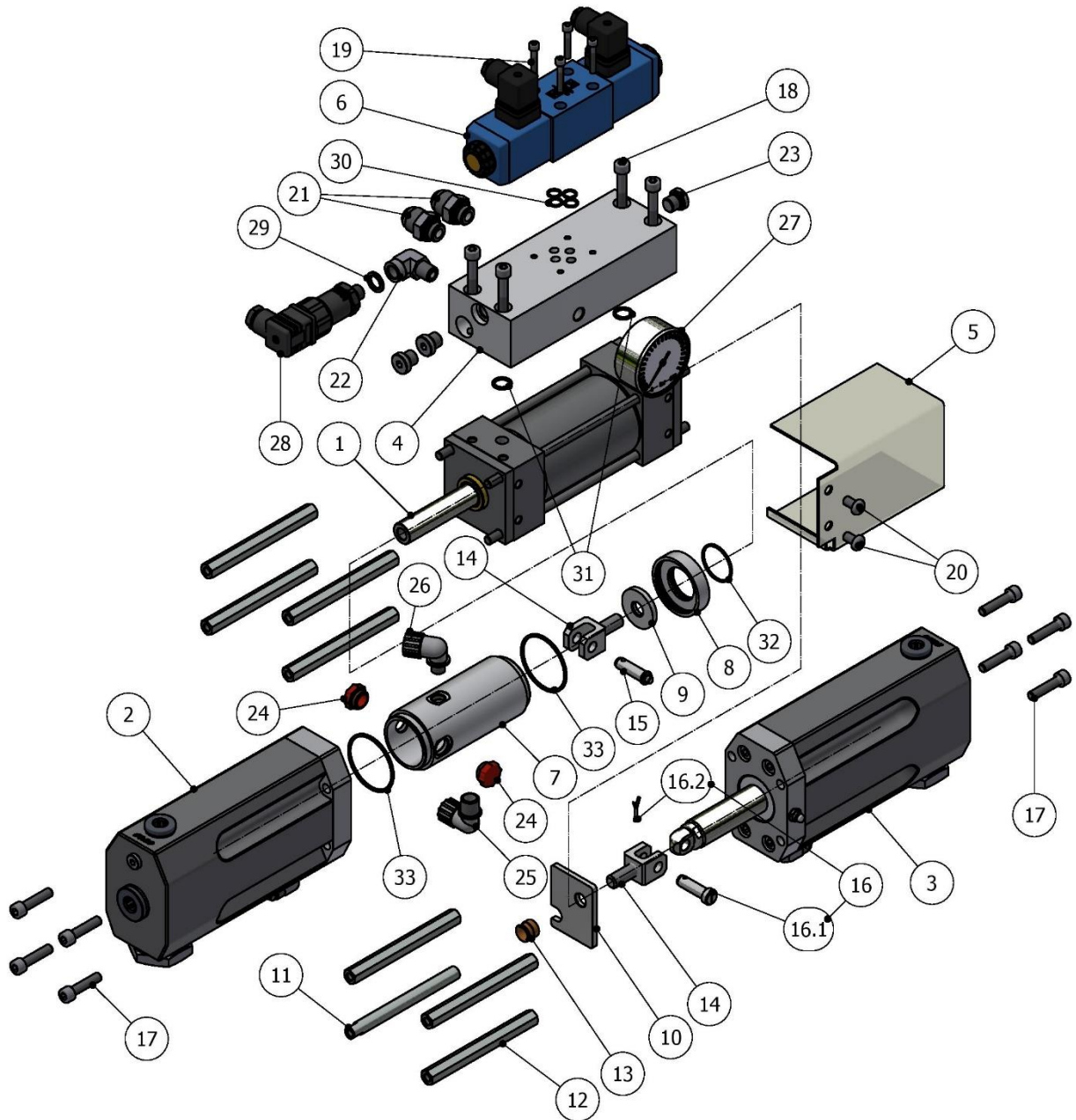


Figure 8. Pump Line Assembly



Table 16. Pump Line Assembly, Parts List

Item	Description	Part Number	Qty.
1	Hydraulic Cylinder	HI-00101-00	1
2	“A” Isocyanate Proportioning Pump	See Table 17	1
3	“R” Resin Proportioning Pump	See Table 17	1
4	Hydr. Manifold (STANDARD)	MQ-01007	1
5	Activator Plate Protection Cover	PU-01027	1
6	Directional Valve	HI-00054	1
7	ISO Pump Lubricator Jacket	PU-01018	1
8	Lube Cylinder Adapter Plate	PU-01021	1
9	Baffle	PU-01019	1
10	Reversion Switch Activation Plate	PU-01023	1
11	Bushing Guide Spacer	PU-01026	1
12	Cylinder Spacer	PU-01025	7
13	Bushing	PU-01022	1
14	Cylinder Axle Fork	PU-01043	2
15	Pin Assembly, ISO Pump (incl.15.1+15.2+15.3)	PU-01044-00	1
15.1	Clevis Pin (included in Pos.15)	PU-01044-01M	1
15.2	Lock Washer (included in Pos.15)	TN-00136	1
15.3	Washer (included in Pos.15)	TN-00024	1
16	Clevis Pin Assembly, Resin Pump (incl.16.1+16.2)	PU-01045-00	1
16.1	Clevis Pin (included in Pos.16)	PU-01045-01	1
16.2	Split Pin (included in Pos.16)	TN-00077	1
17	Allen Cap Screw	TN-00245	8
18	Allen Cap Screw	TN-00090	4
19	Screw	TN-00148	4
20	ULS Cap Screw	TN-00135	2
21	Male Union	RA-00062	2
22	Swivel Elbow 90° (OPTIONAL)	RA-00416	1
23	Plug	RA-00013	3
24	Plastic Plug	RA-00116	1
25	Plastic Swivel Elbow	RA-00489	1



Item	Description	Part Number	Qty.
26	Plastic Swivel Elbow	RA-00066	1
27	Hydr. Pressure Gauge	HI-00078	1
28	Pressure Transducer (OPTIONAL)	HI-00033	1
29	Metal O-ring (OPTIONAL)	OR-00054	1
30	O-Ring	OR-00035	4
31	O-Ring	OR-00019	2
32	O-Ring	OR-00021	1
33	O-Ring	OR-00020	2

OPTIONAL parts only upon express request.

Table 17. Proportioning Pump Size, Parts List

SIZE	Proportioning Pump Size	
	item 2 (ISO Pump)	item 3 (POL Pump)
1.20	NPU-06401-012G	NPU-06402-012G
0.80	NPU-06401-008G	NNPU-06402-008G

Note: (*) The standard proportioning pump size is #1.20. Different sizes are available under order. For delivery time, please consult with marketing department.



HYDRAULIC CYLINDER

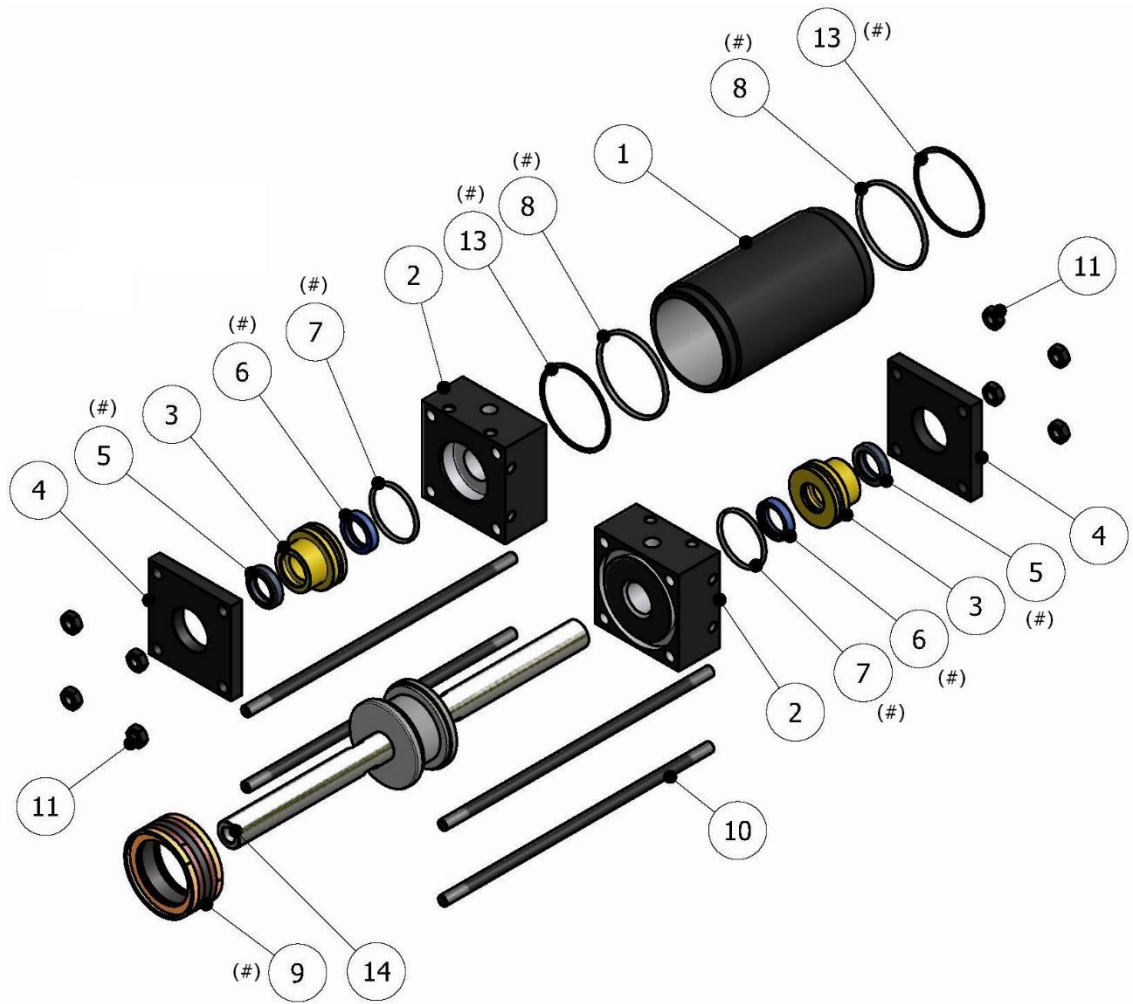


Figure 9. Hydraulic Cylinder

Note: The indicated parts (#) are included in the repair seal kit KT-00010-01.



Table 18. Hydraulic Cylinder, Parts List

Item	Description	Part Number	Qty.
1	Cylinder Body	HI-00025-05	1
2	Port Block	HI-00101-04	2
3	Rod Bushing	HI-00101-03	2
4	Front Plate	HI-00025-02	2
5	Rod Wiper	OR-00095	2 (#)
6	Shaft Seal	OR-00096	2 (#)
7	O-Ring	OR-00039	2 (#)
8	O-Ring	OR-00040	2 (#)
9	Piston O-Ring	OR-00041-00	1 (#)
10	Hydraulic Cylinder Tie Rod	HI-00025-06	4
11	Nut (*)	TN-00029	8
13	O-Ring Anti Extrusion	OR-00063	2 (#)
14	Piston	HI-00101-01	1

(*) Only when the cylinder is supplied as a spare part. Not included in the Pump Line fitted in the machine.

The indicated parts (#) are included in the repair seal kit KT-00010-01.



“A” PROPORTIONING PUMP ASSEMBLY

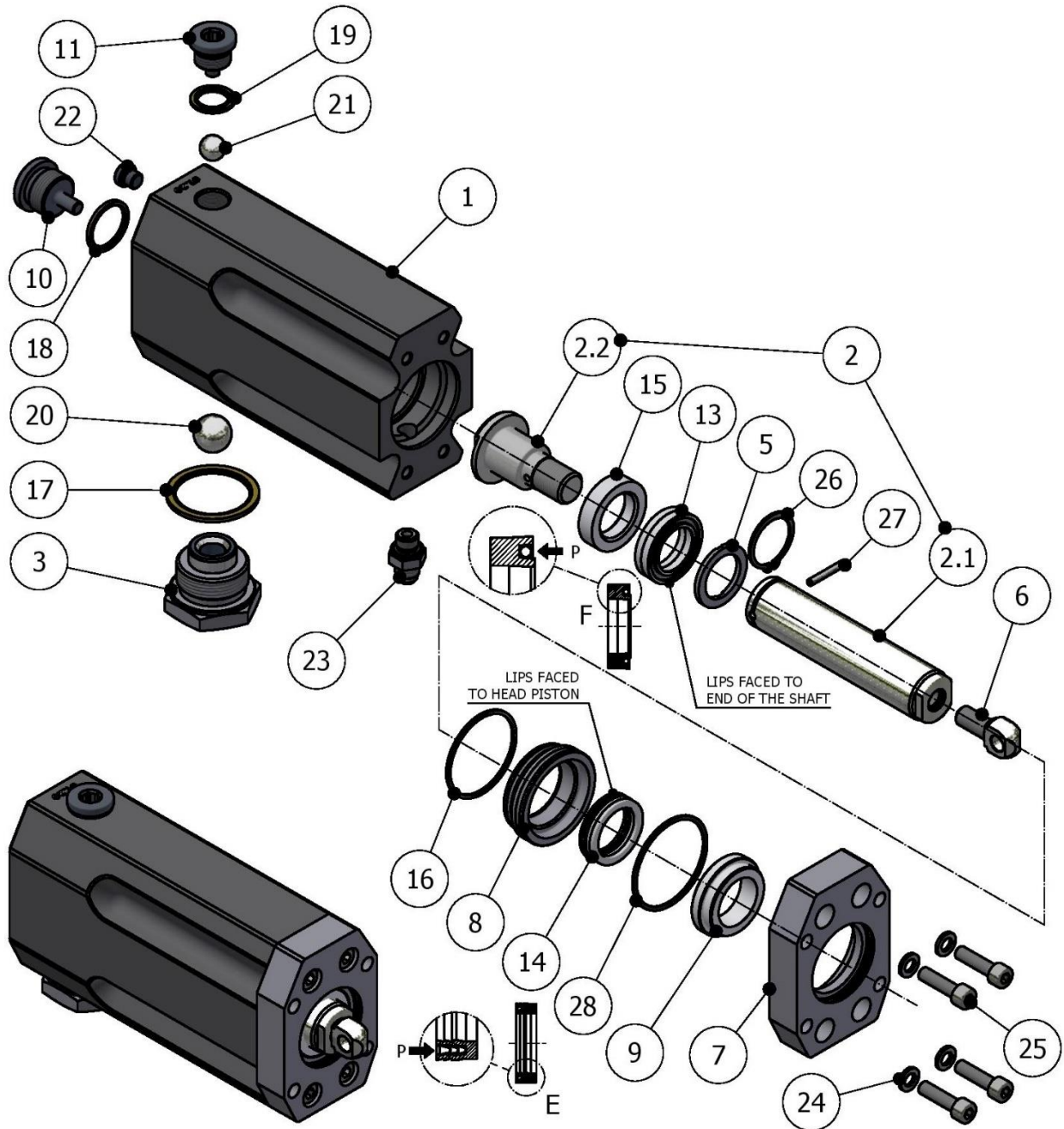


Figure 10. “A” Proportioning Pump Assembly



Table 19. “A” Proportioning Pump Assembly, Parts List

Item	Description	Part Number	Qty.
1	Body Pump with Check Valve Seat	See Table 20	1
2	Piston Rod Assembly (Only item. 2.1 y 2.2)	See Table 20	1
2.1	Piston Rod (Included in item 2)	See Table 20	1 (#)
2.2	Piston Head (Included in item 2)	See Table 20	1 (#)
3	Inlet Ball Seat Assembly	PU-01003-0J	1
4			
5	Piston Seal	See Table 20	1
6	Pump Clevis	PU-01042	1
7	Monobloc Flange Pump – ISO	NPU-06004	1
8	Seat Seal – ISO	See Table 20	1
9	Bearing ISO	See Table 21	1 (*)
10	Plug Side Pump	PU-01003-0E	1
11	Upper Plug Pump	PU-01003-0F	1
12			
13	Piston Seal	See Table 21	1 (*)
14	Cylinder Seal	See Table 21	1 (*)
15	Piston Guide	See Table 21	1 (*)
16	O-Ring	See Table 21	1 (*)
17	Metallic Ring	OR-00088	1
18	Metallic Ring	OR-00082	1
19	Metallic Ring	OR-00023	1
20	Lower Ball	TN-00013	1
21	Upper Ball	TN-00012	1
22	Plug	RA-00211	1
23	Output Elbow	RA-00050	1
24	Washer	TN-00028	4
25	Allen Screw	TN-00062	4
26	Seeger Ring	See Table 20	1
27	Pin	See Table 20	1
28	O-Ring	See Table 21	1 (*)

NOTE: The parts marked with (*), are included in the repair seal kit of “A” pump (see Table 22).

The parts marked with (#), are not supplied separately.



Table 20. “A” Proportioning Pump Assembly, Parts List

Pump	Item 1	Item 2 (2.1 + 2.2)	Item 2.1	Item 2.2
1.20	NPU-06001-012	PU-01006-012	PU-01007-012	PU-01008-012
0.80	NPU-06001-008	PU-01006-008	PU-01007-008	PU-01008-008

Pump	Item 5	Item 8	Item 26	Item 27
1.20	PU-01010-012	PU-06009-012G	TN-00070	TN-00086
0.80	PU-01010-008	PU-06009-008G	TN-00067	TN-00085

Table 21. Seals Monobloc “A” ISO Pump, Parts List

Item	1.20	0.80
9	PU-06007-012	PU-06007-008
13	PU-01016-012A	PU-01016-008A
14	PU-01017-012G	PU-01017-008G
15	PU-01014-012A	PU-01014-008A
16	OR-00009	OR-00009
28	OR-00115	OR-00115

Table 22. Repair Seal Kit “A” ISO Pump, Ref.List

Pump	Item
1.20	KT-00157
0.80	KT-00159

Note:

The standard proportioning pump sizes is #1.20. Different sizes are available under order. For delivery time, please consult with marketing department.

The Repair seal kit include the parts indicated in the Table 19.



"R" PROPORTIONING PUMP ASSEMBLY

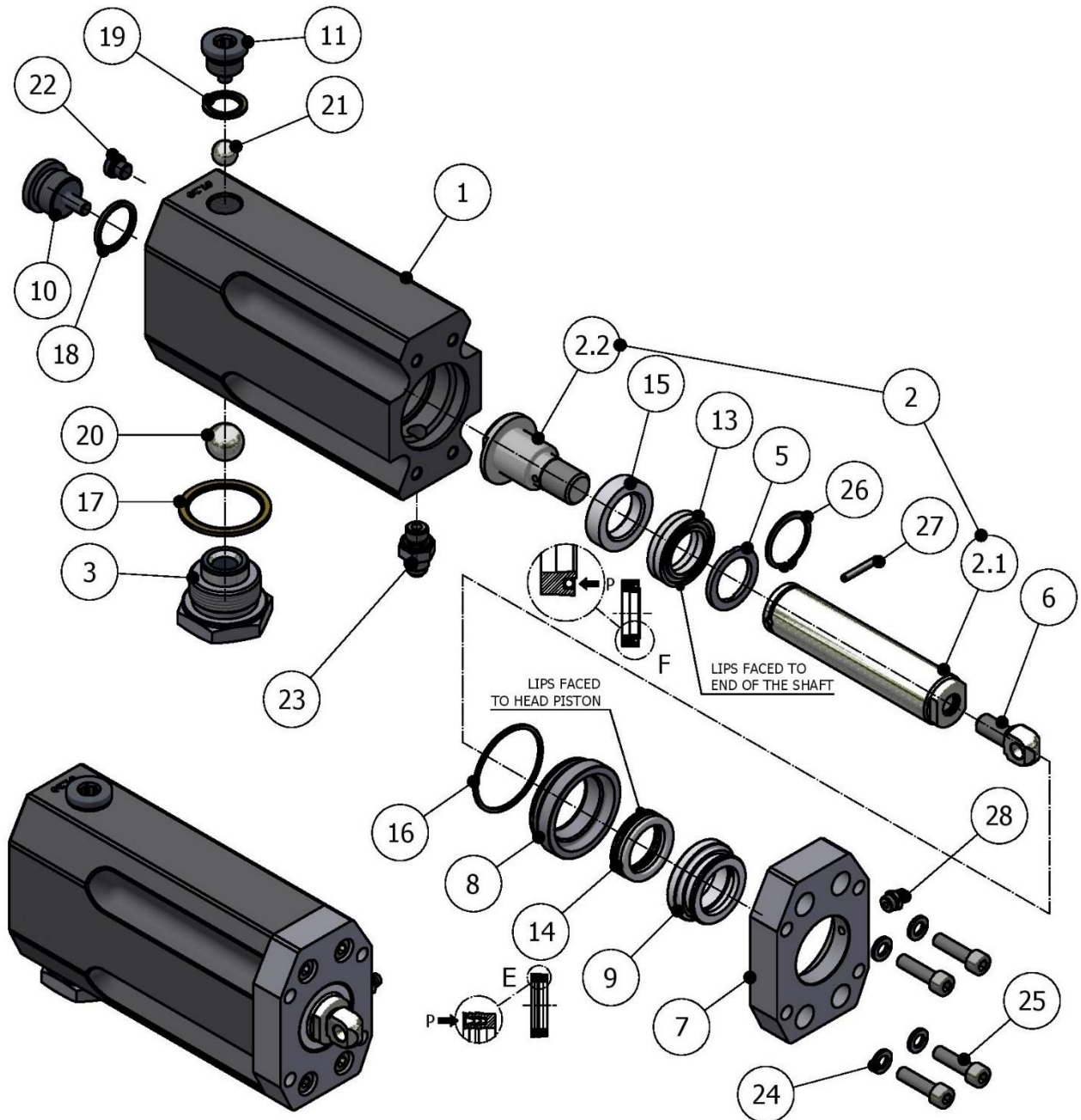


Figure 11. "R" Proportioning Pump Assembly



Parts Manual

Table 23. “R” Proportioning Pump Assembly, Parts List

Item	Description	Part Number	Qty.
1	Body Pump with Check Valve Seat	See Table 24	1
2	Piston Rod Assembly (Only item. 2.1 y 2.2)	See Table 24	1
2.1	Piston Rod (Included in item 2)	See Table 24	1 (#)
2.2	Piston Head (Included in item 2)	See Table 24	1 (#)
3	Inlet Ball Seat Assembly	PU-01003-0J	1
4			
5	Piston Seal	See Table 24	1
6	Pump Clevis	PU-01042	1
7	Monobloc Flange Pump – POL	NPU-06005	1
8	Seat Seal – POL	Ver Table 24	1
9	Bearing ISO	Ver Table 25	1 (*)
10	Plug Side Pump	PU-01003-0E	1
11	Upper Plug Pump	PU-01003-0F	1
12			
13	Piston Seal	See Table 25	1 (*)
14	Cylinder Seal	See Table 25	1 (*)
15	Piston Guide	See Table 25	1 (*)
16	O-Ring	See Table 25	1 (*)
17	Metallic Ring	OR-00088	1
18	Metallic Ring	OR-00082	1
19	Metallic Ring	OR-00023	1
20	Lower Ball	TN-00013	1
21	Upper Ball	TN-00012	1
22	Plug	RA-00211	1
23	Exit Elbow	RA-00050	1
24	Washer	TN-00028	4
25	Allen Screw	TN-00062	4
26	Seeger Ring	See Table 24	1
27	Pin	See Table 24	1
28	Grease Fiting	TN-00073	1

Nota.: The parts marked with (*), are included in the repair seal kit of “R” (see Table 26).

The parts marked with (#), are not supplied separately.



Table 24. “R” Proportioning Pump Assembly, Parts List

Pump	Item 1	Item 2 (2.1 + 2.2)	Item 2.1	Item 2.2
1.20	NPU-06001-012	PU-01006-012	PU-01007-012	PU-01008-012
0.80	NPU-06001-008	PU-01006-008	PU-01007-008	PU-01008-008

Pump	Item 5	Item 8	Item 26	Item 27
1.20	PU-01010-012	PU-06006-012G	TN-00070	TN-00086
0.80	PU-01010-008	PU-06006-008G	TN-00067	TN-00085

Table 25. Seals Monobloc “R” Resin Pump, Parts List

Ítem	1.20	0.80
9	PU-06008-012	PU-06008-008
13	PU-01016-012A	PU-01016-008A
14	PU-01017-012G	PU-01017-008G
15	PU-01014-012A	PU-01014-008A
16	OR-00009	OR-00009

Table 26. Repair Seal Kit “R” Resin Pump, Ref. List

Pump	Item
1.20	KT-00158
0.80	KT-00160

Note:

(#) The standard proportioning pump size is #1.20. Different sizes are available under order. For delivery time, please consult with marketing department.

The Repair seal kit include the parts indicated (*) in the Table 23.



PRIMARY HEATER G-CONNECT

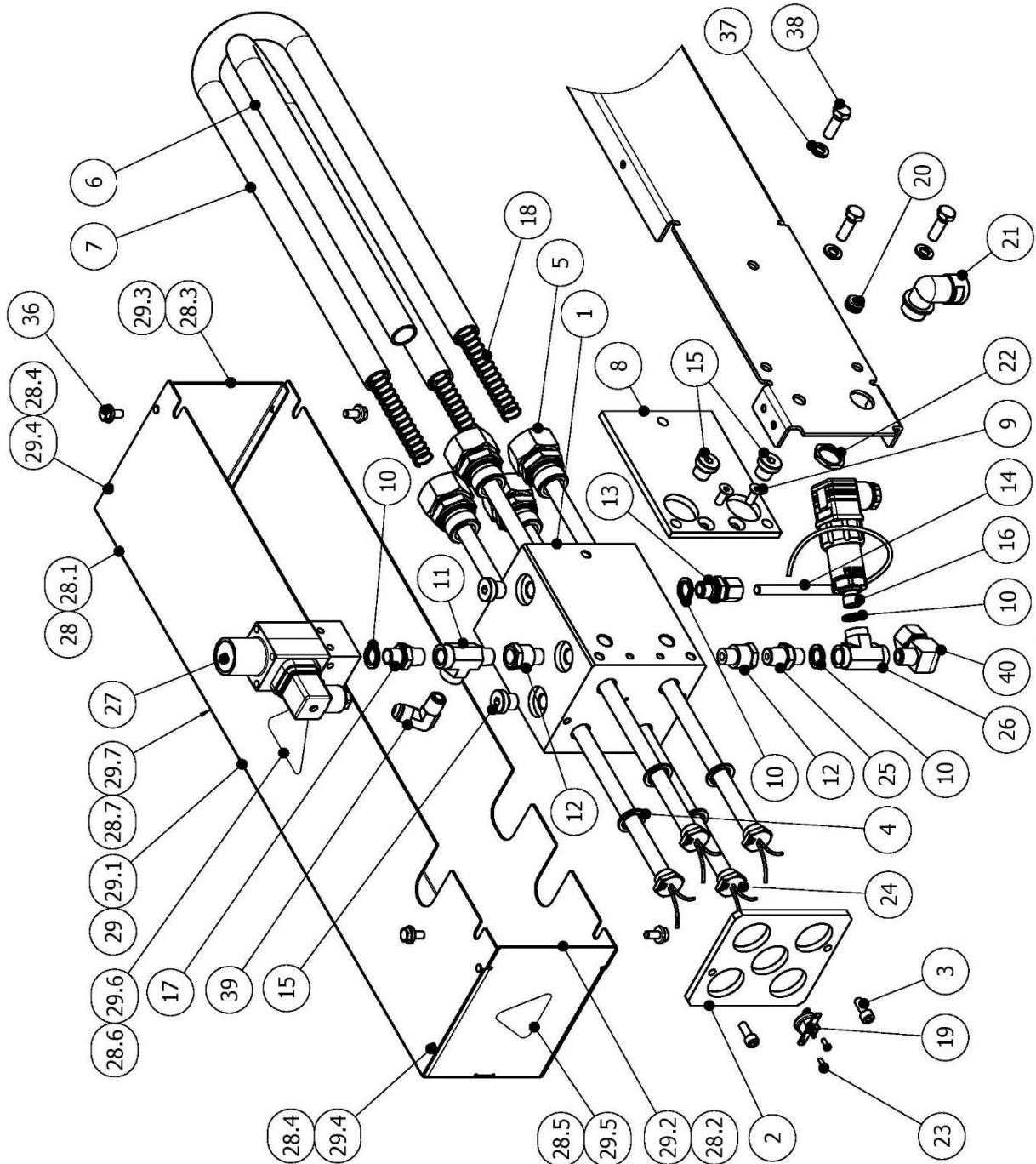


Figure 12. Primary Heater G-Connect



Table 27. Primary Heater G-Connect, Parts List

Item	Description	Part Number	Qty.
1	Heater Block	NCL-03001-02A	1+1
2	Front Insulate Plate	NCL-03001-03A	1+1
3	Screw	TN-00061	2+2
4	Metal O-Ring	OR-00018	4+4
5	Male Connector for Pipe	RA-00468	4+4
6	Short Pipe	NCL-03001-06	1+1
7	Long Pipe	NCL-03001-05	1+1
8	Side Insulator Plate	NCL-03001-04	1+1
9	Screw	TN-00322	2+2
10	Metal O-Ring	OR-00054	4+4
11	“T” Adapter	RA-00018	1+1
12	Extension Nipple	RA-00077	2+2
13	Fitting	RA-00231	1+1
14	Temperature Probe	EL-00156-01	1+1
15	Plug	RA-00013	4+4
16	Pressure Transducer	HI-00033	1+1
17	Male Union	RA-00138	1+1
18	Heater Spring	SP-00030	3+3
19	Thermal Limit Switch	EL-00006	1+1
20	Grommet	EL-00095-00	1+1
21	90° Elbow for Cable Gland	EL-00087-01	1+1
22	Nut	EL-00090-01	1+1
23	Screw	TN-00128	2+2
24	Resistance	See Table 28	4+4
25	Male Union	RA-00138	1+1
26	“T” Adapter	RA-00053	1+1
27	Pressure Switch	HI-00021	1+1
28	Heater Protection Assy. (includes from Item.28.1 to 28.7)	NCL-21001-01	1
28.1	Heater Housing (included in item 28)	CL-21001-01A	1
28.2	Heater Front Cover (included in item 28)	CL-21001-01C	1
28.3	Heater Rear Cover (included in item 28)	CL-21001-01D	1



Parts Manual

Item	Description	Part Number	Qty.
28.4	Rivet (included in item 28)	TN-00240	10
28.5	Warning Voltage (included in item 28)	EM-00016	1
28.6	Warning Temperature (included in item 28)	EM-00018	1
28.7	G-CONNECT Tag (included in item 28)	EM-00122	1
29	Heater Protection Assy. (includes from Item 29.1 to 29.7)	NCL-21002-01	1
29.1	Heater Housing (Included in Item 29)	CL-21002-01A	1
29.2	Heater Front Cover (included in Item 29)	CL-21001-01C	1
29.3	Heater Rear Cover (included in Item 29)	CL-21001-01C	1
29.4	Rivet (included in Item 29)	TN-00240	10
29.5	Warning Voltage (included in Item 29)	EM-00016	1
29.6	Warning Temperature (included in Item 29)	EM-00018	1
29.7	G-CONNECT Tag (included in Item 29)	EM-00122	1
35	Washer	TN-00024	4+4
36	Hex. Cap Screw	TN-00438	4+4
37	Lock Nut	TN-00028	3+3
38	Hex. Cap Screw	TN-00146	3+3
39	Elbow Union 90°	RA-00044	1+1
40	Elbow Union 90° for Pipe	RA-00038	1+1

Table 28. Heater Resistances “G-Connect”, Reference List

Item	Description	Part Number	Qty.
24	Heat Resistance 400v 1500w	EL-00179	4+4
	Heat Resistance 230v 1500w	EL-00035	4+4



PRIMARY HEATER G-CONNECT+

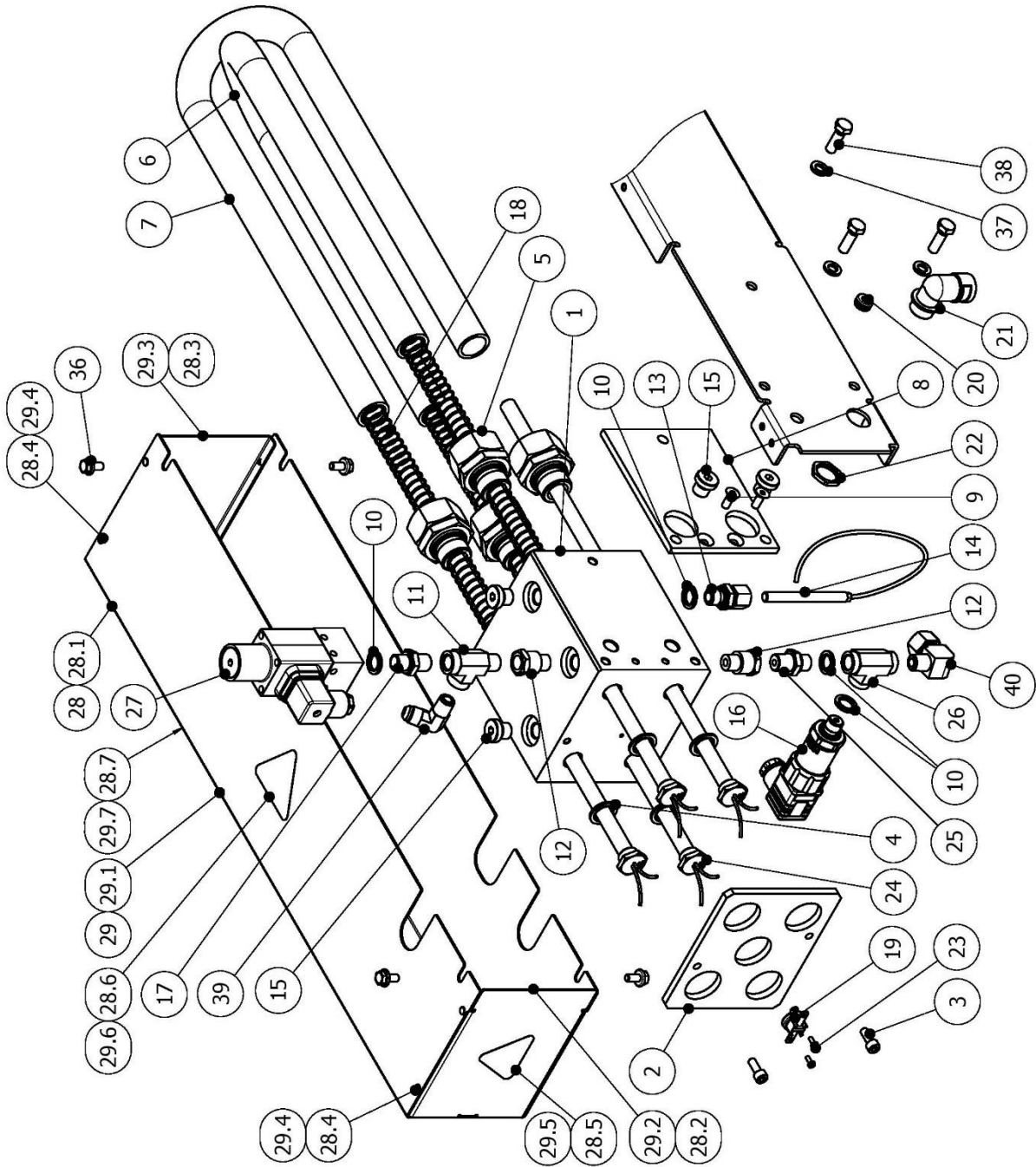


Figure 13. ISO and POL Primary Heater "G-Connect+"



Parts Manual

Table 29. Primary Heater Component List “G-Connect+”, Parts List

Item	Description	Part Number	Qty.
1	Heater Block	NCL-01001-02	1+1
2	Front Insulate Plate	NCL-01001-03	1+1
3	Screw	TN-00061	2+2
4	Metal O-Ring	OR-00018	4+4
5	Male Connector for Pipe	RA-00493	4+4
6	Short Pipe	NCL-01001-06	1+1
7	Long Pipe	NCL-01001-05	1+1
8	Side Insulator Plate	NCL-03001-04	1+1
9	Screw	TN-00322	2+2
10	Metal O-Ring	OR-00054	4+4
11	“T” Adapter	RA-00018	1+1
12	Extension Nipple	RA-00077	2+2
13	Fitting	RA-00231	1+1
14	Temperature Probe	EL-00156-01	1+1
15	Plug	RA-00013	4+4
16	Pressure Transducer	HI-00033	1+1
17	Male Union	RA-00138	1+1
18	Heater Spring	SP-00037	3+3
19	Safety Thermostat	EL-00006	1+1
20	Grommet	EL-00095-00	1+1
21	Plastic Elbow	EL-00087-01	1+1
22	Nut	EL-00090-01	1+1
23	Screw	TN-00128	2+2
24	Heater Resistance	See Table 28	4+4
25	Male Union	RA-00138	1+1
26	“T” Adapter	RA-00053	1+1
27	Pressure Switch	HI-00021	1+1
28	Heater Protection Assy. (includes from ítem 28.1 to 28.7)	NCL-21001-01	1
28.1	Heater Housing (included in ítem 28)	CL-21001-01A	1
28.2	Heater Front Cover (included in ítem 28)	CL-21001-01C	1
28.3	Heater Front Cover (included in ítem 28)	CL-21001-01D	1



Item	Description	Part Number	Qty.
28.4	Rivet (included in item 28)	TN-00240	10
28.5	Warning Voltage (included in item 28)	EM-00016	1
28.6	Warning Temperature (included in item 28)	EM-00018	1
28.7	G-Connect Tag (included in item 28)	EM-00122	1
29	Heater Protection Assy. (includes from ítem 29.1 to 29.7)	NCL-21002-01	1
29.1	Heater Housing (Included in ítem 29)	CL-21002-01A	1
29.2	Heater Front Cover (included in item 29)	CL-21001-01C	1
29.3	Heater Rear Cover (included in item 29)	CL-21001-01D	1
29.4	Rivet (included in item 29)	TN-00240	10
29.5	Warning Voltage (included in item 29)	EM-00016	1
29.6	Warning Temperature (included in item 29)	EM-00018	1
29.7	G-Connect Tag (included in item 29)	EM-00122	1
35	Washer	TN-00024	4+4
36	Hex. Cap Screw	TN-00438	4+4
37	Lock Nut	TN-00028	3+3
38	Hex. Cap Screw	TN-00146	3+3
39	Swivel Elbow 90°	RA-00044	1+1
40	Swivel Elbow 90° for Pipe	RA-00038	1+1

Table 30. References List Heater Resistances “G-Connect+”, Ref. List

Item	Description	Part Number	Qty.
24	Heat Resistance 400v 2000w	EL-00258	4+4
	Heat Resistance 230v 2000w	EL-00177	4+4



RECIRCULATION KIT DIRECT TO TANKS

NOTE:

The machine comes with standard fittings and ball valves for recirculation. The rest of the components to complete the set are the parts included in the kit.

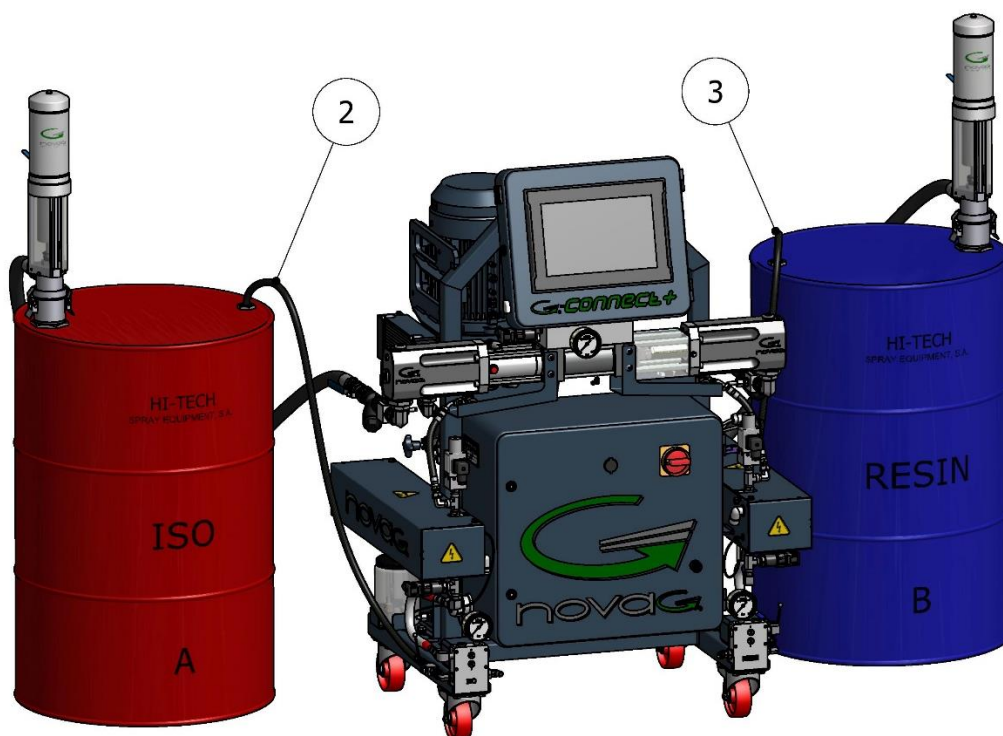


Figure 14. Recirculation Kit #KT-00199

Table 31. Standard Recirculation Kit #KT-00199, Parts List

Item	Description	Part Number	Qty.
	Recirculation Kit	KT-00199	1
2	Hose “A” ISO	MA-00050-01	1
3	Hose “R” POL	MA-00050-00	1



RECIRCULATION KIT, WITH ISO/POL DRIER

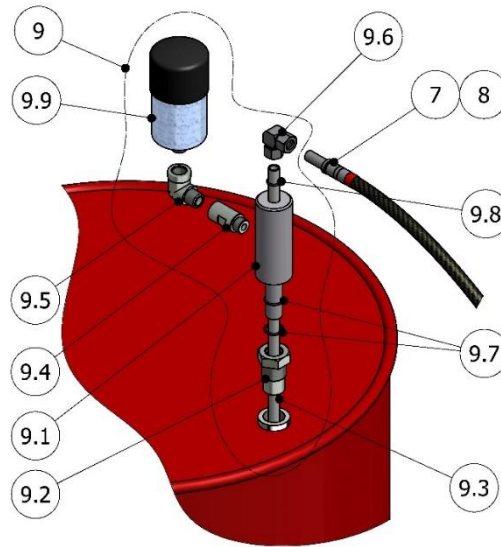


Figure 15. Recirculation Kit #KT-00199-01

Table 32. Recirculation Kit #KT-00199-01, Parts List

Item	Description	Part Number	Qty.
	Recirculation Kit	KT-00199-01	1
7	Hose “A” ISO	MA-00050-01	1
8	Hose “R” POL	MA-00050-00	1
9	Tank Adapter Kit	MQ-05009-00	2
9.1	Body Adapter	MQ-05010	1 (*)
9.2	Tank Adapter	MQ-05009	1 (*)
9.3	Pipe	HI-00075	1 (*)
9.4	Length Union	RA-00256	1 (*)
9.5	Elbow Union	RA-00257	1 (*)
9.6	Elbow Union for Pipe	RA-00200	1 (*)
9.7	O-Ring	OR-00055	2(*)
9.8	O-Ring	OR-00011	1 (*)
9.9	Dehumidifier filter (drying)	NE-00045	1 (*)

Note: (*) Unit quantities included in one item 9 set.



RECIRCULATION KIT, WITH DRYING ISO TANK

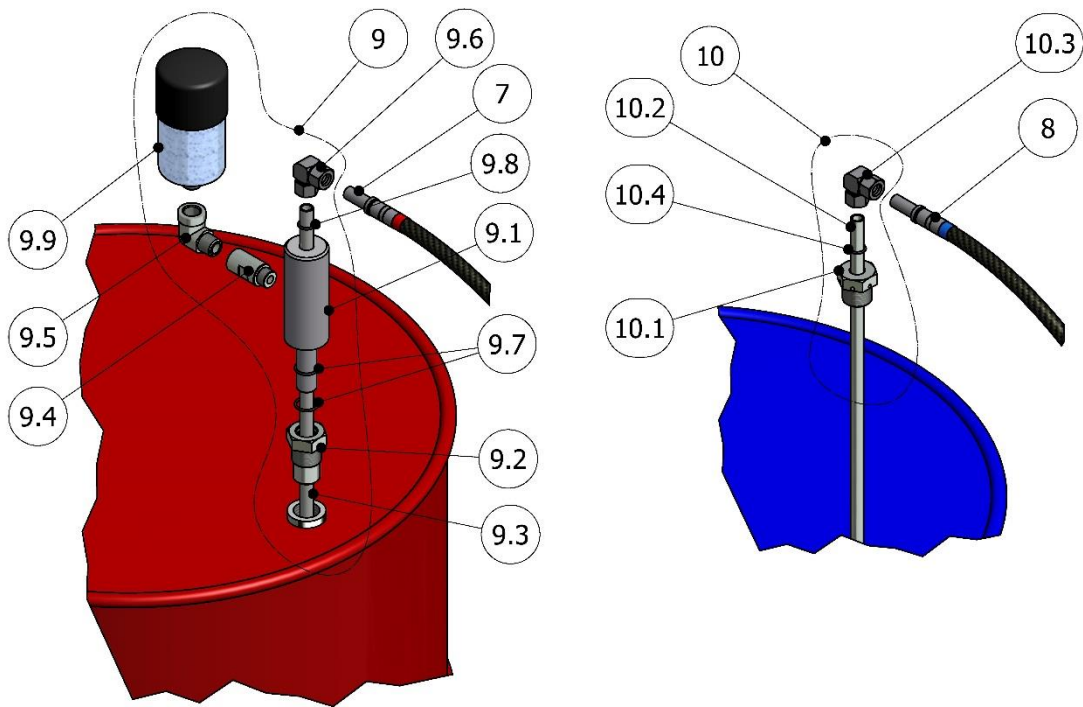


Figure 16. Recirculation Kit #KT-00199-03



Table 33. Recirculation Kit #KT-00199-03, Parts List

Item	Description	Part Number	Qty.
	Recirculation Kit	KT-00199-03	1
7	Hose “A” Iso	MA-00050-01	1
8	Hose “R” Resin	MA-00050-00	1
9	Tank Adapter Kit	MQ-05009-00	1
9.1	Body Adapter	MQ-05010	1
9.2	Tank Adapter	MQ-05009	1
9.3	Pipe	HI-00075	1
9.4	Length Union	RA-00256	1
9.5	Elbow Union	RA-00257	1
9.6	Elbow Union for Tube	RA-00200	1
9.7	O-Ring	OR-00055	2
9.8	O-Ring	OR-00011	1
9.9	Dehumidifier Filter (Drying)	NE-00045	1
10	Filter less Tank Adapter Assy	MQ-05010-00	1
10.1	Tank Adapter	MQ-05009-A	1
10.2	Pipe	HI-00075	1
10.3	Elbow Union for Pipe	RA-00200	1
10.4	O-Ring	OR-00011	1



ELECTRICAL SCHEM. 3PE~400V 50/60Hz, “G-Connect”

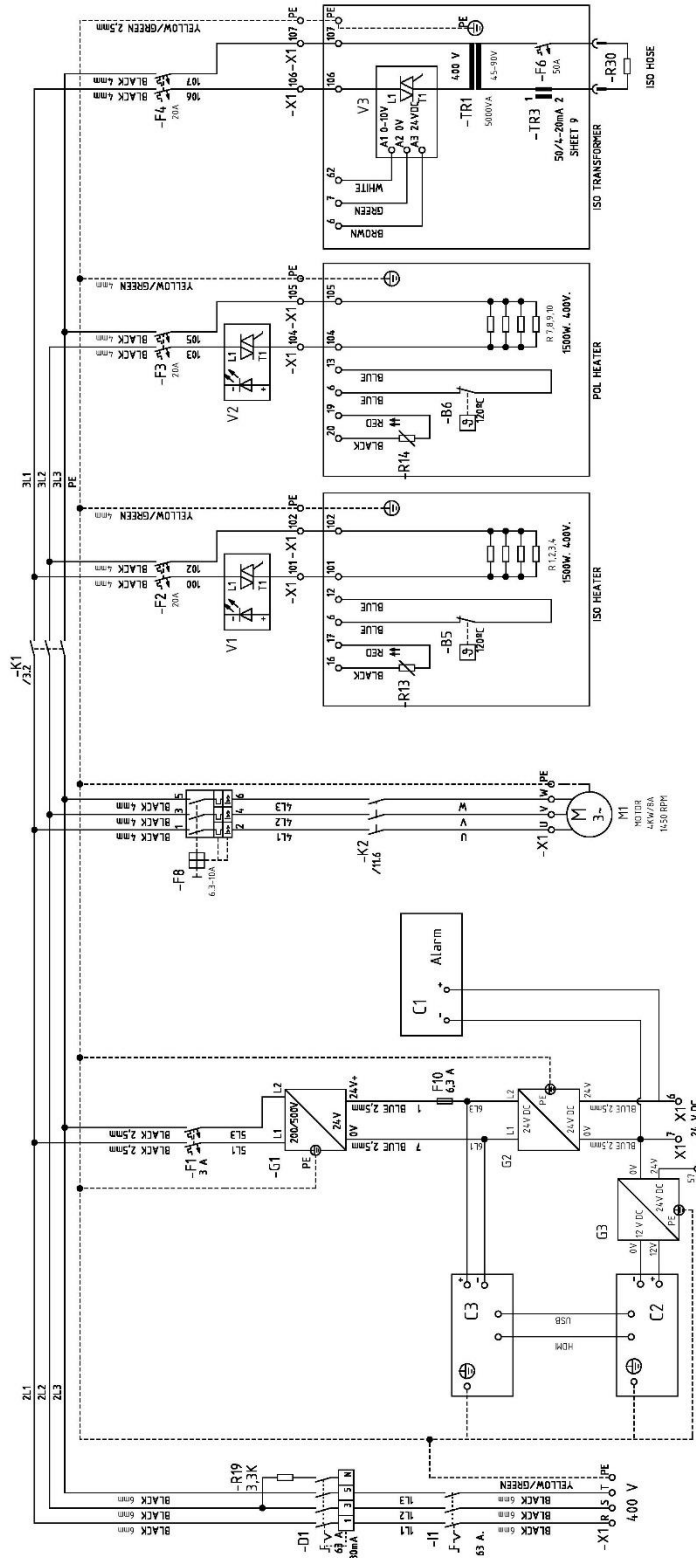


Figure 17. Elec. Schem. 3PE~400V 50/60Hz, “G-Connect” (Sheet 1/7)

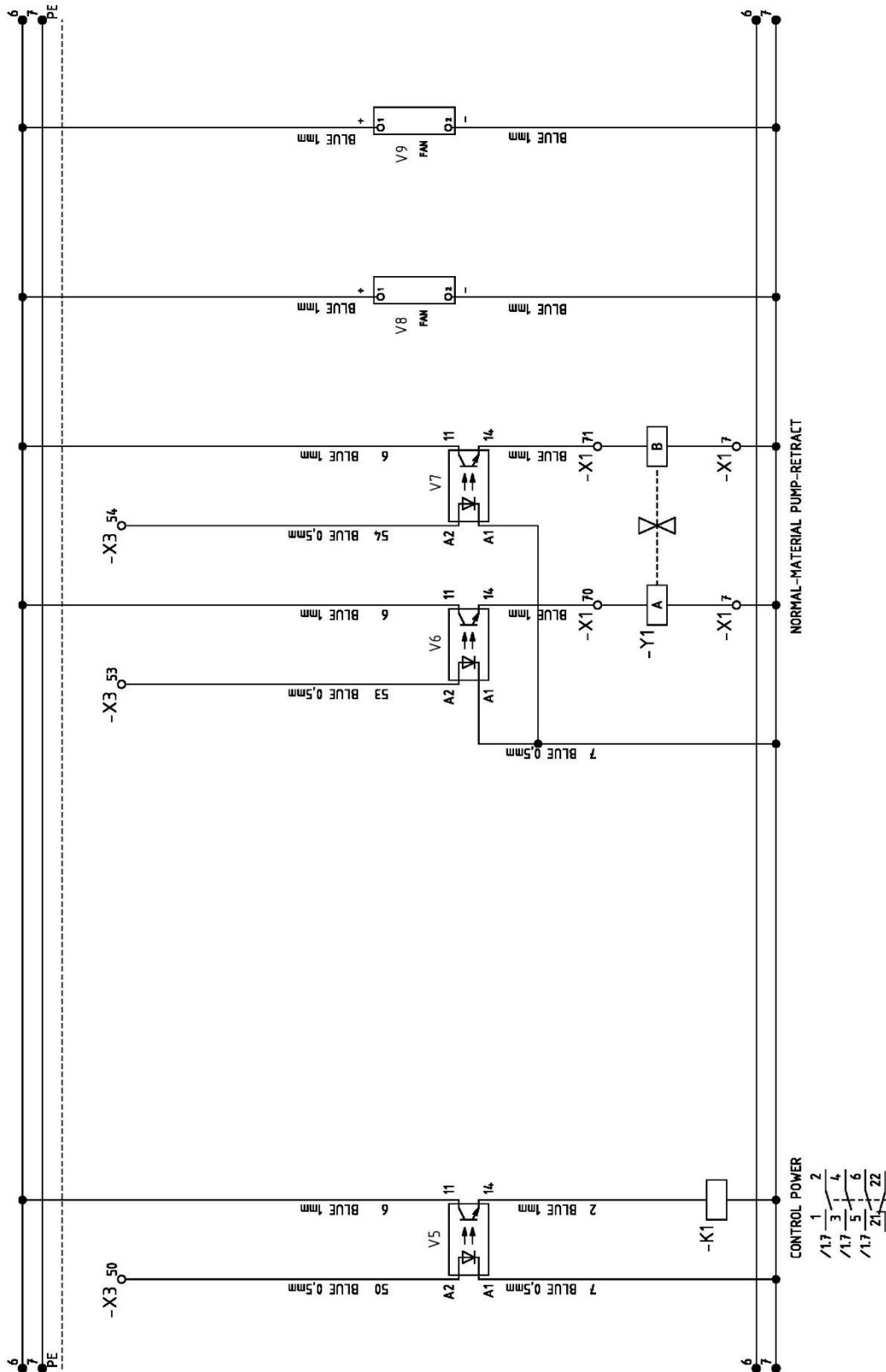


Figure 18. Elec. Schem. 3PE~400V 50/60Hz, “G-Connect” (Sheet 2/7)



Parts Manual

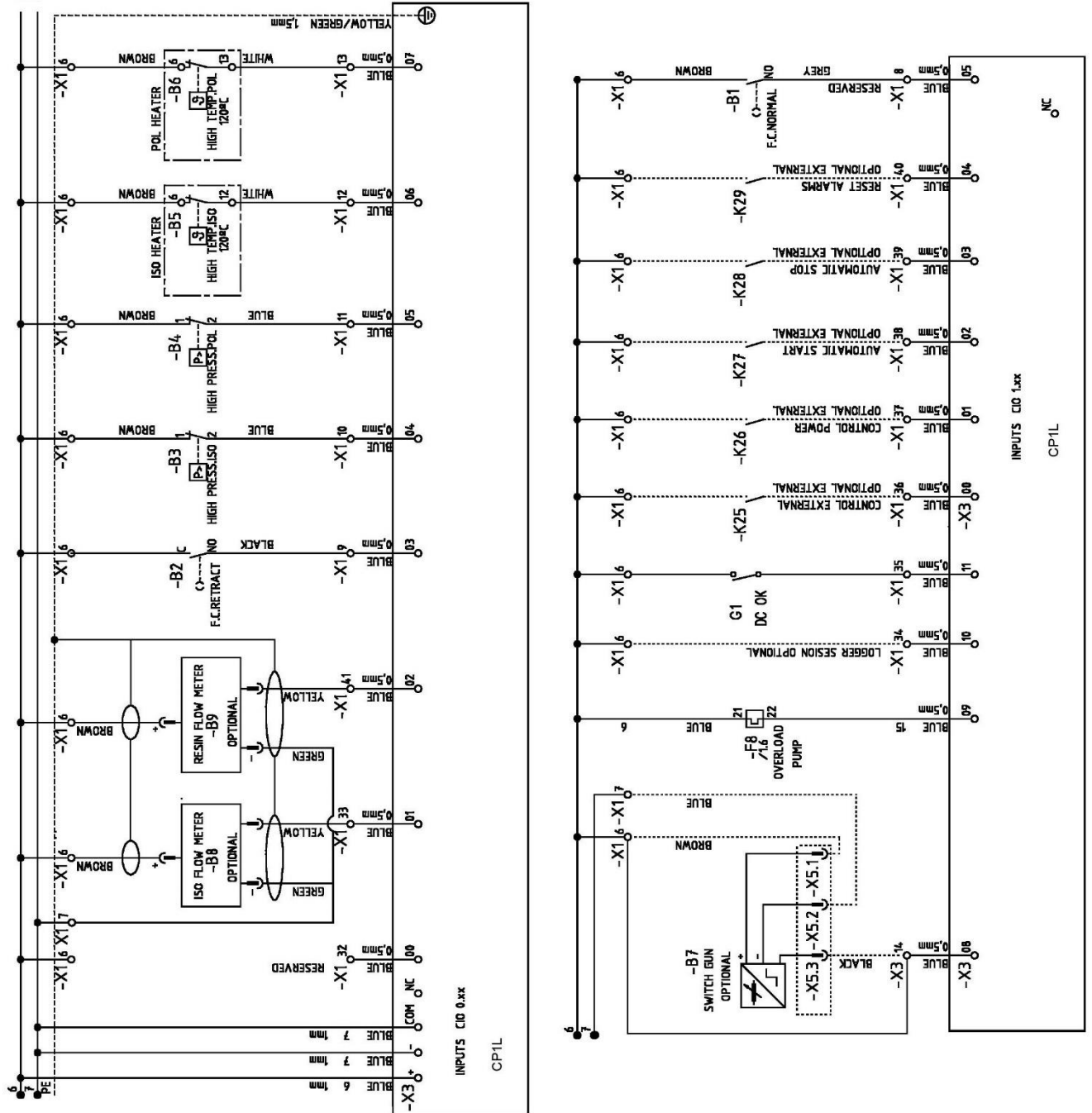


Figure 19. Elec. Schem. 3PE~400V 50/60Hz, “G-Connect” (Sheet 3/7)

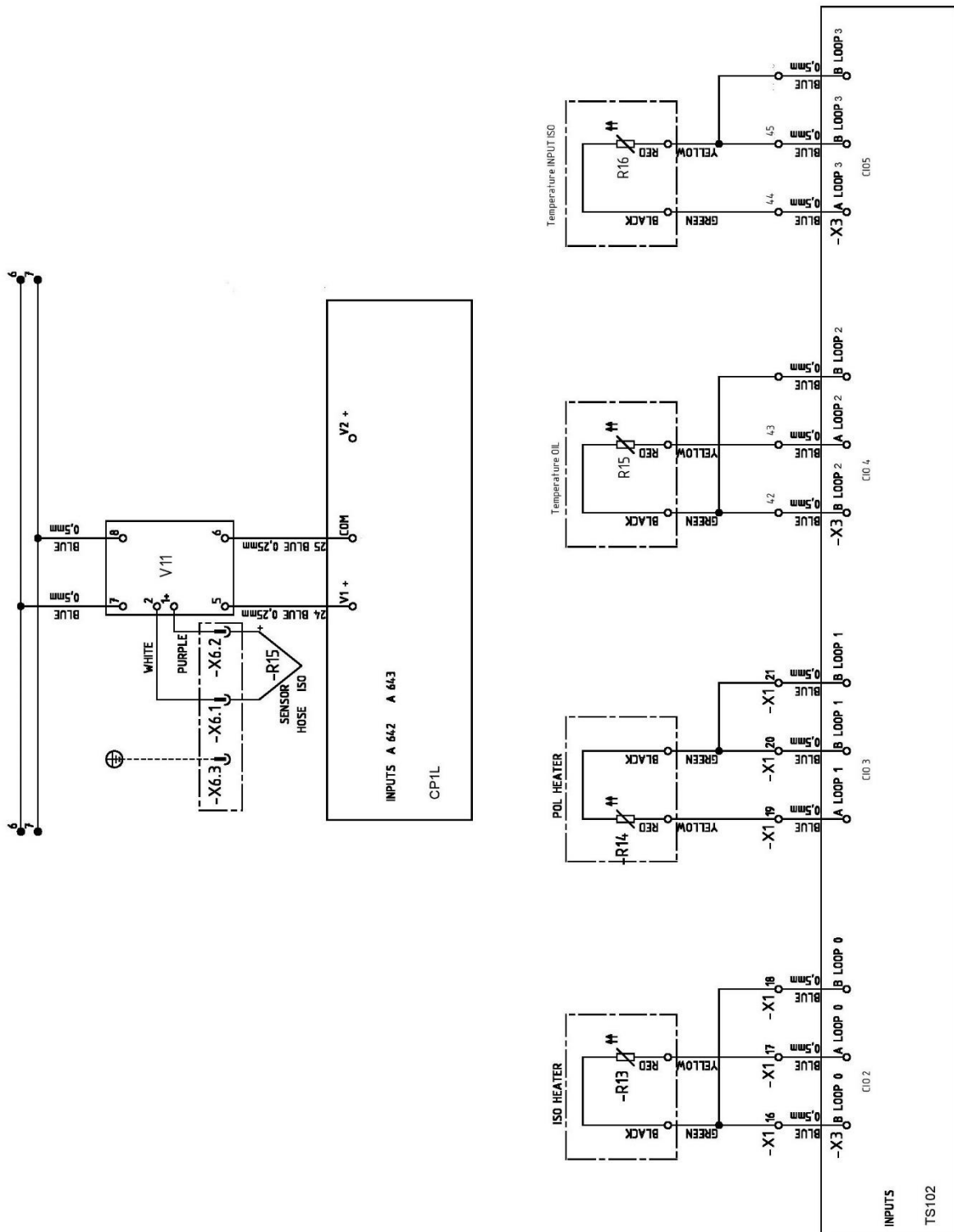


Figure 20. Elec. Schem. 3PE~400V 50/60Hz, “G-Connect” (Sheet 4/7)



Parts Manual

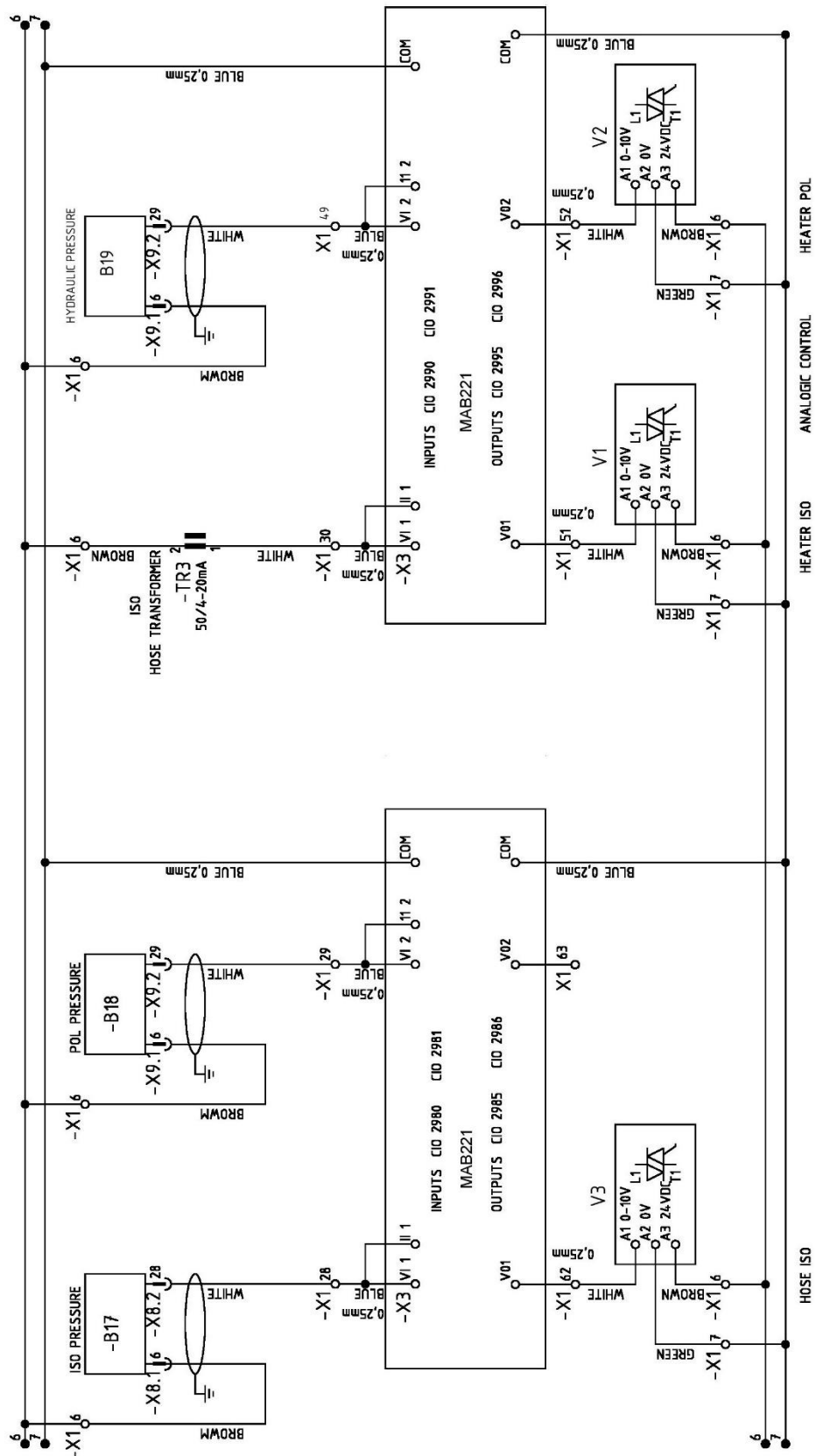


Figure 21. Elec. Schem. 3PE~400V 50/60Hz, “G-Connect” (Sheet 5/7)

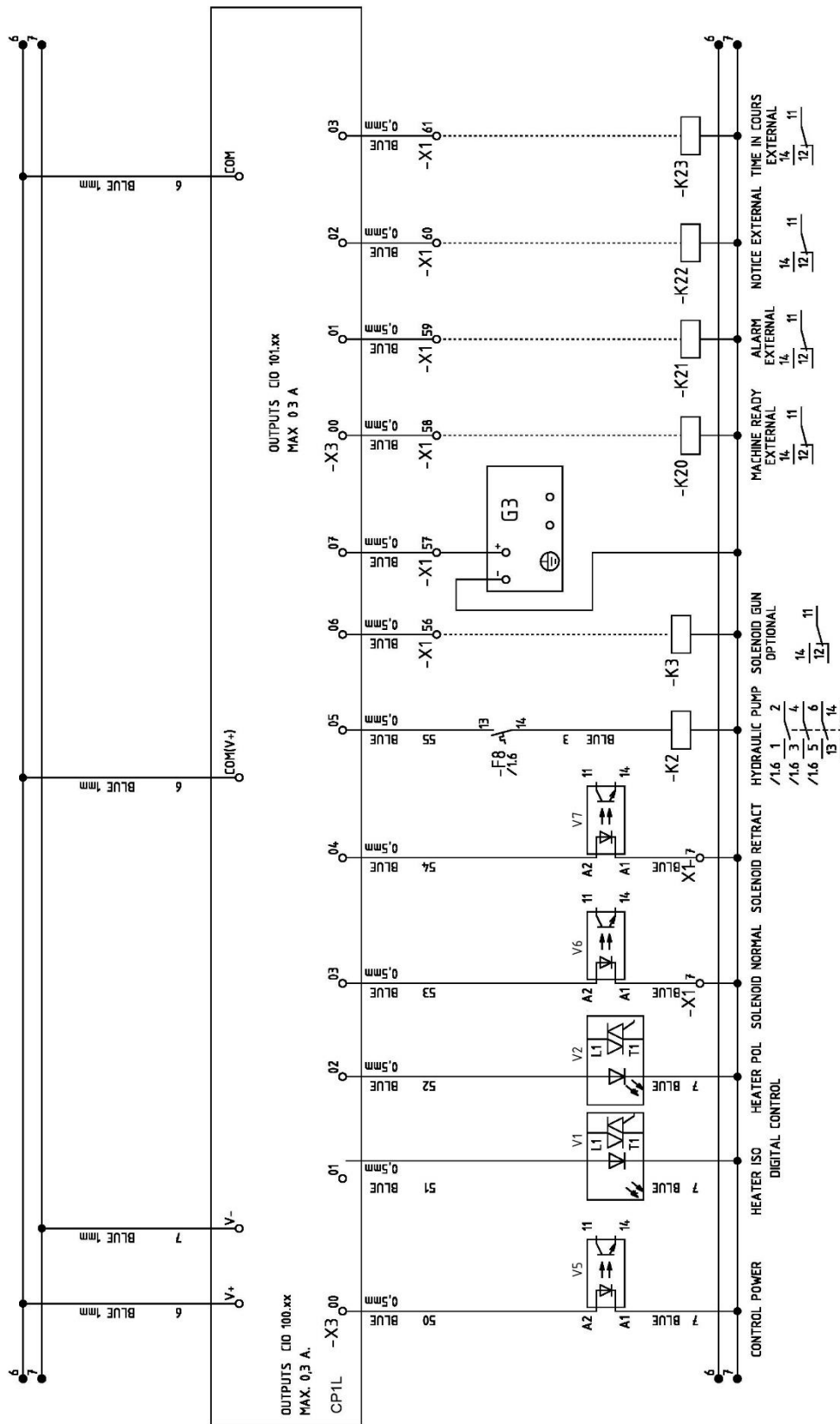


Figure 22. Elec. Schem. 3PE~400V 50/60Hz, “G-Connect” (Sheet 6/7)



Parts Manual

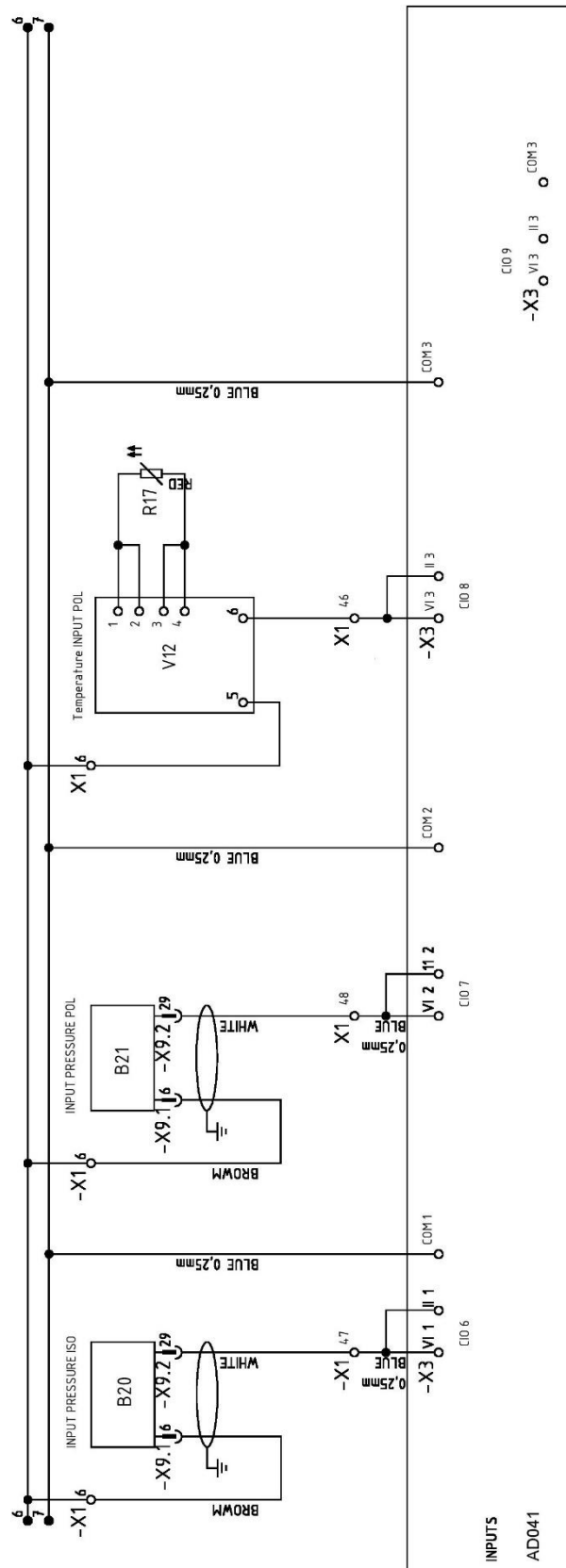


Figure 23. Elec. Schem. 3PE~400V 50/60Hz, “G-Connect” (Sheet 7/7)

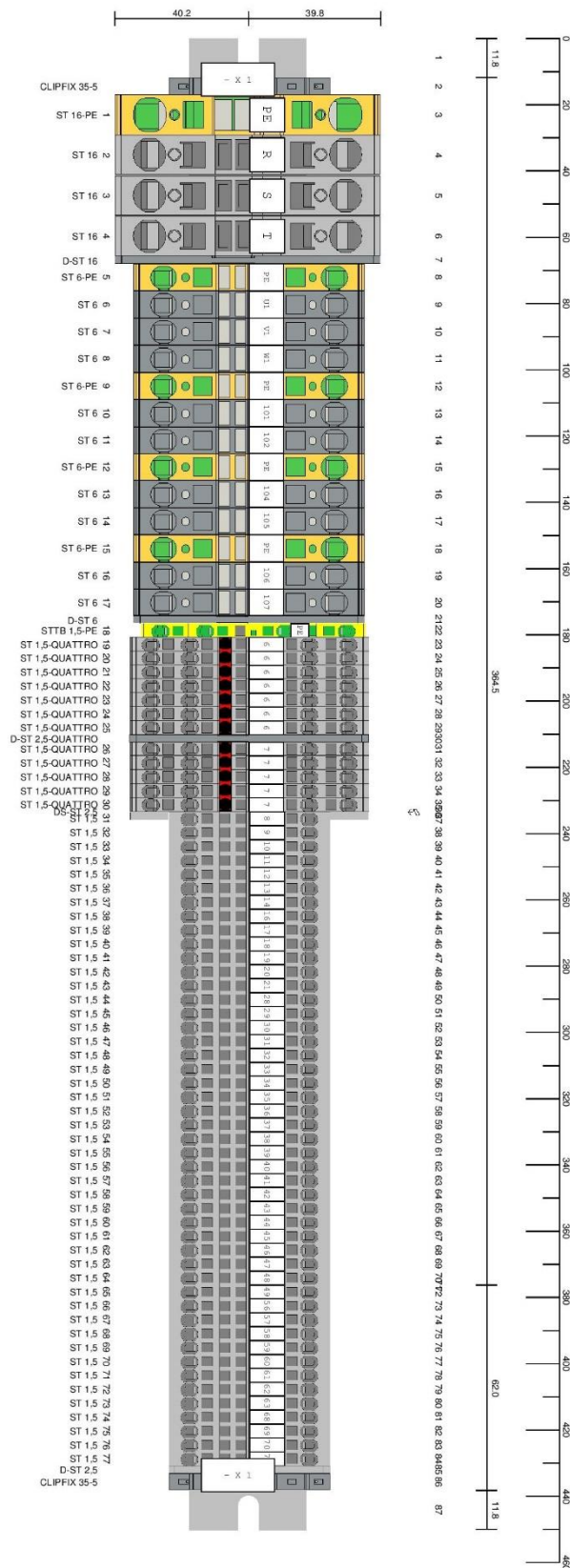


Figure 24. Distribution 3PE~400V 50/60Hz, “G-Connect”



Parts Manual

Table 34. Elec. Schem. 3PE~400V 50/60Hz, “G-Connect” Parts List

Item	Description	Part Number	Qty.
I1	Main Switch 63A	EL-00107-18	1
D1	Differential Switch 63A	EL-00108-04	1
C1	Ethernet Switch Module	EL-00171-07	1
C2	Industrial PC IoT	EL-00292-04	1
C3	Panel PC-HMI	EL-00292	1
G1	Power Supply	EL-00135-03	1
G2	UNO UPS	EL-00135-04	1
G3	Power Supply	EL-00135-05	1
TR1	Base Transformer	EL-00012-02	1
TR3	Current Transformer	EL-00127-19	1
M1	4kW Motor	EL-00138-04	1
R19	Resistance	EL-00129-01	1
K1	Contactor	EL-00121-02	1
K2	Contactor	EL-00123-02	1
X1	Distribution	EL-00105-13	1
F1	Automatic Switch 3A	EL-00109-04	1
F2,F3, F4	Automatic Switch 20A	EL-00113-04	3
F6	Automatic Switch 50A	EL-00117-01	1
F8	Automatic Adjustable Circuit Breaker	EL-00119-04	1
	Auxiliary Contact for Switch	EL-00119-03	1
F10	Crystal Fuse	EL-00128-03	1
V1	Relay Control	EL-00126-13	1
V2	Relay Control	EL-00126-13	1
V3	Relay Control	EL-00126-11	1
V11	MCR-TC-UI-NC Mini Transmitter	EL-00164-02	1
V12	PT100 Module	EL-00292-03	1
V5	Solid State Relay	EL-00126-06	1
V6	Solid State Relay	EL-00126-06	1
V7	Solid State Relay	EL-00126-06	1
X3	CPU 30	EL-00171-03	1

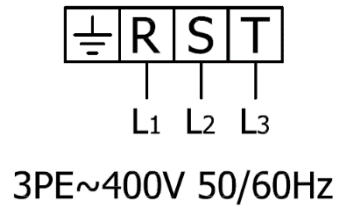


Figure 25. Connection 3PE~400V 50/60Hz, “G-Connect”



ELECTRICAL SCHEM. 3PE~400V 50/60Hz, “G-Connect+”

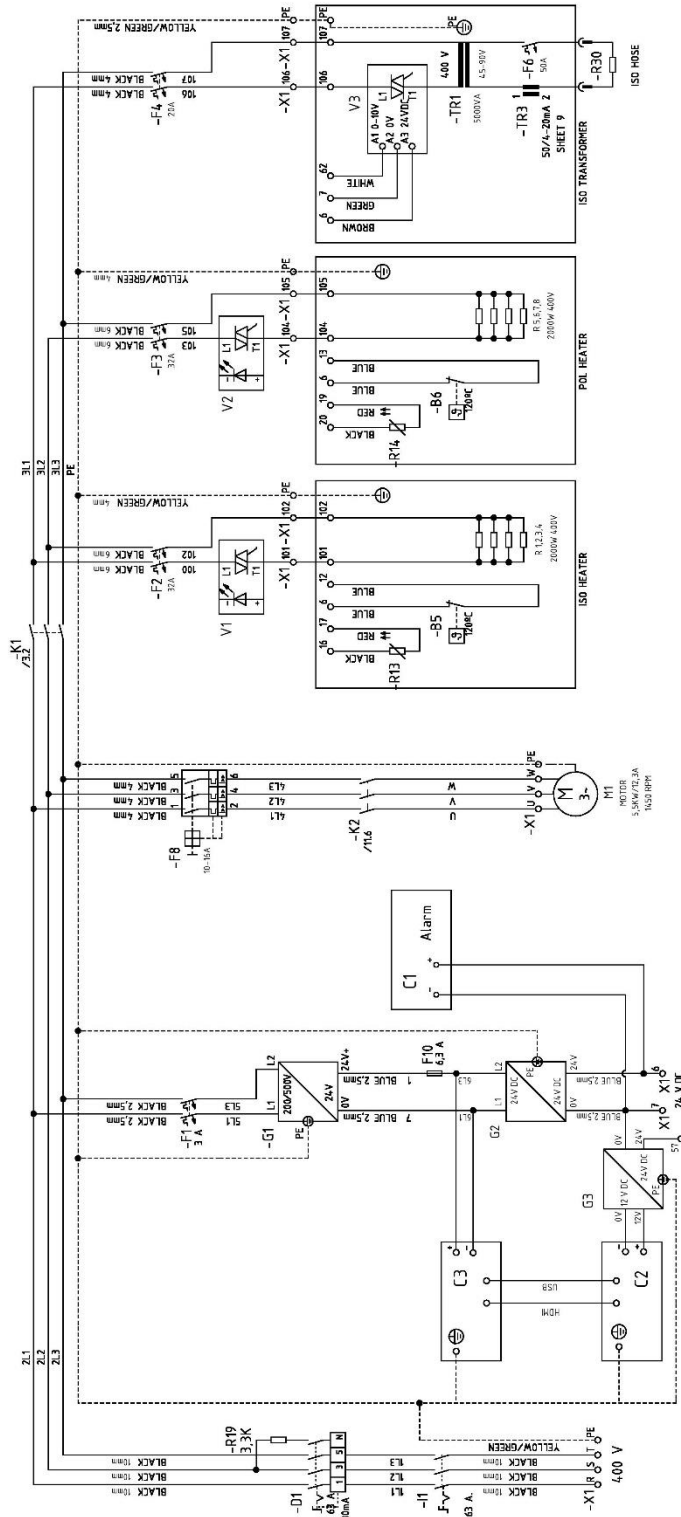


Figure 26. Elec. Schem. 3PE~400V 50/60Hz, “G-Connect+” (Sheet 1/7)

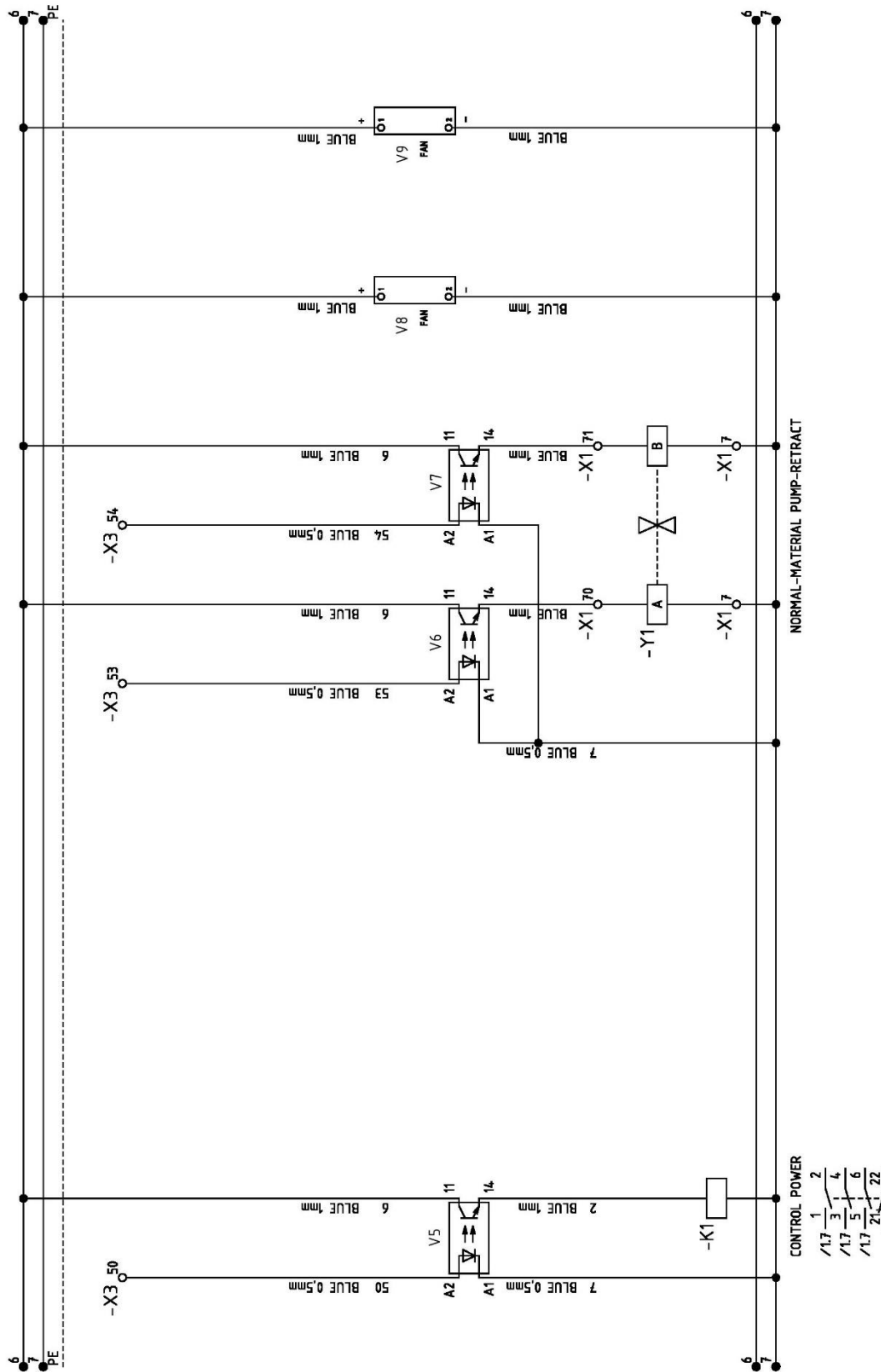


Figure 27. Elec. Schem. 3PE~400V 50/60Hz, "G-Connect+" (Sheet 2/7)



Parts Manual

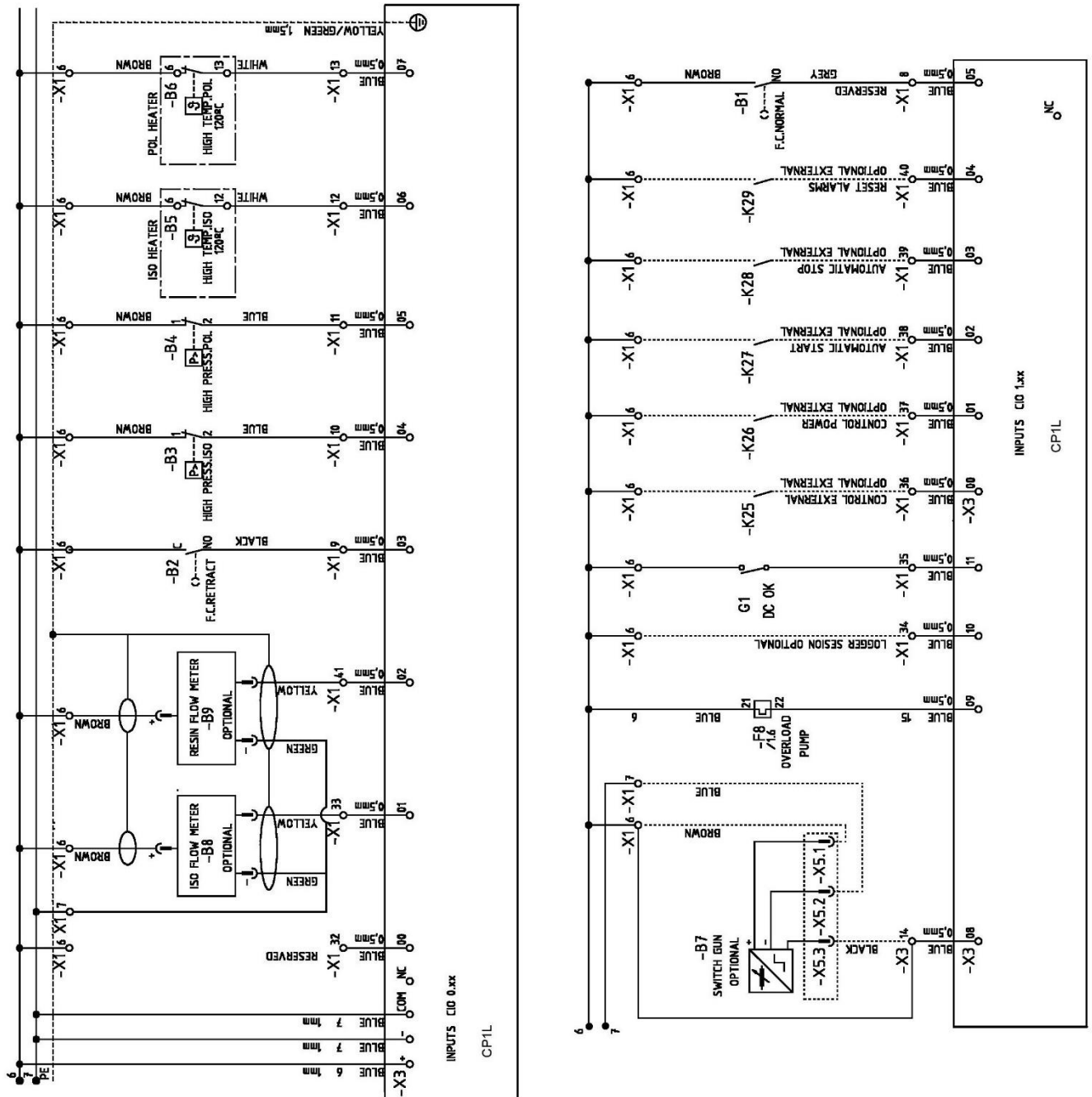


Figure 28. Elec. Schem. 3PE~400V 50/60Hz, “G-Connect+” (Sheet 3/7)

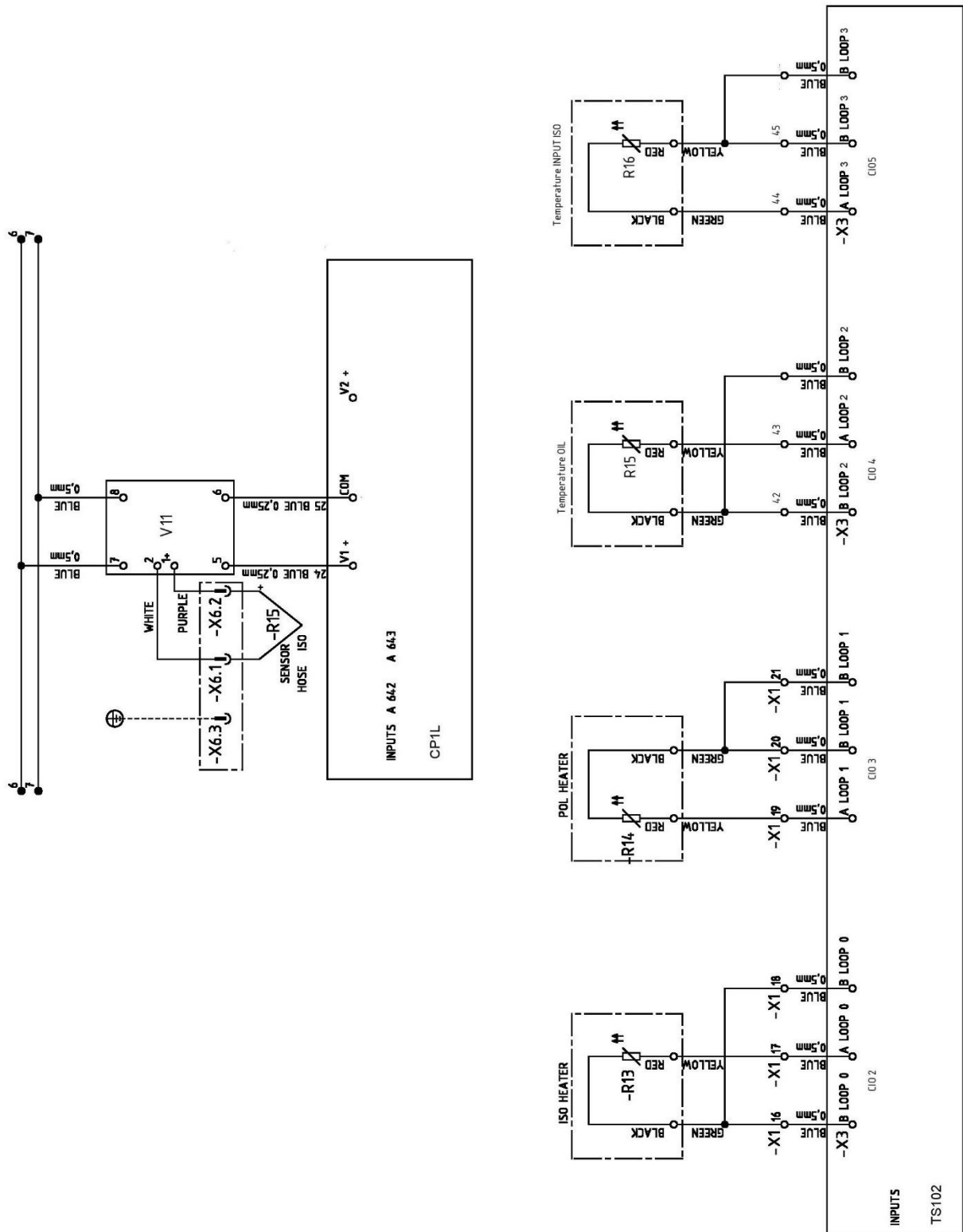


Figure 29. Elec. Schem. 3PE~400V 50/60Hz, G-Connect+ (Sheet 4/7)



Parts Manual

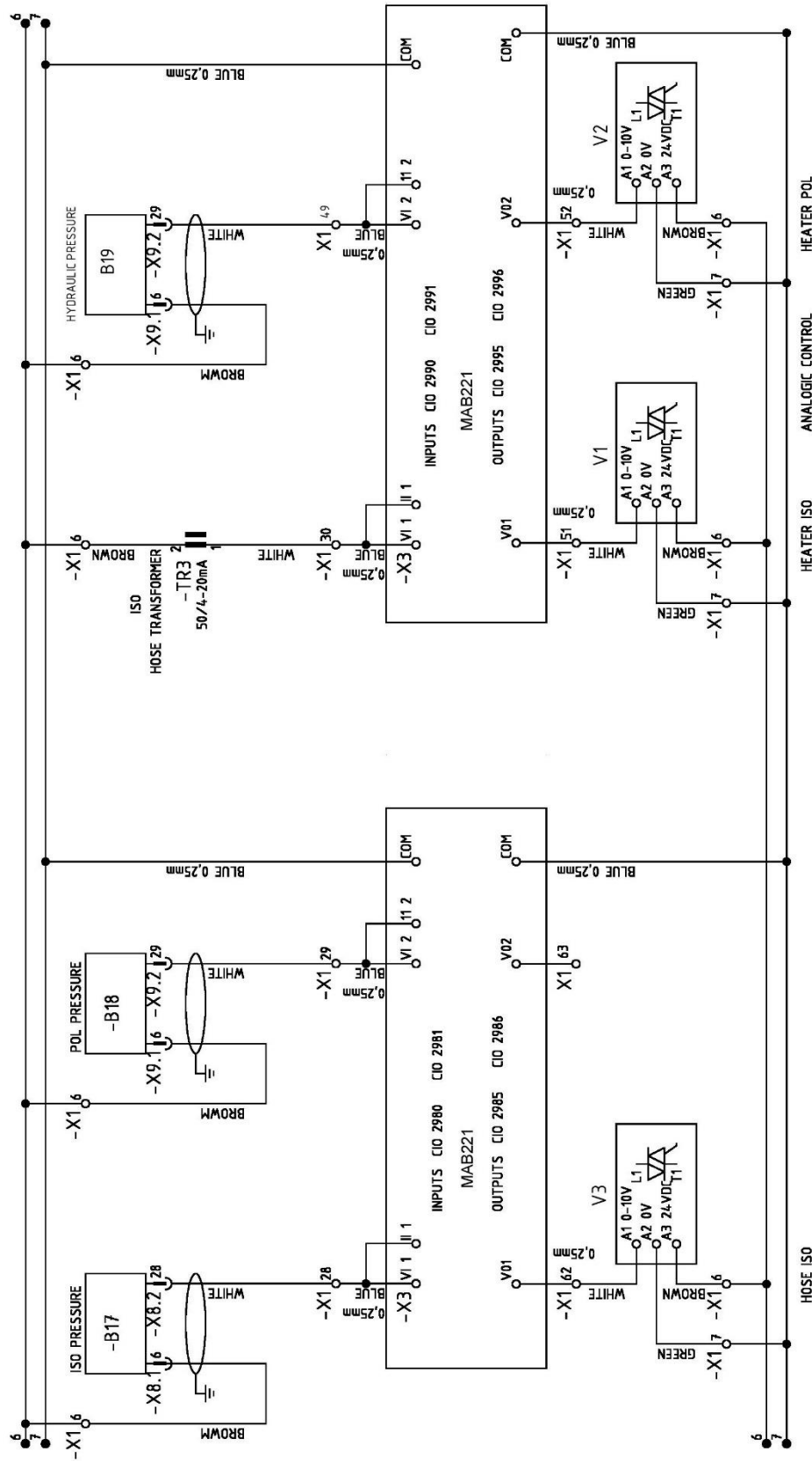


Figure 30. Elec. Schem. 3PE~400V 50/60Hz, “G-Connect+” (Sheet 5/7)

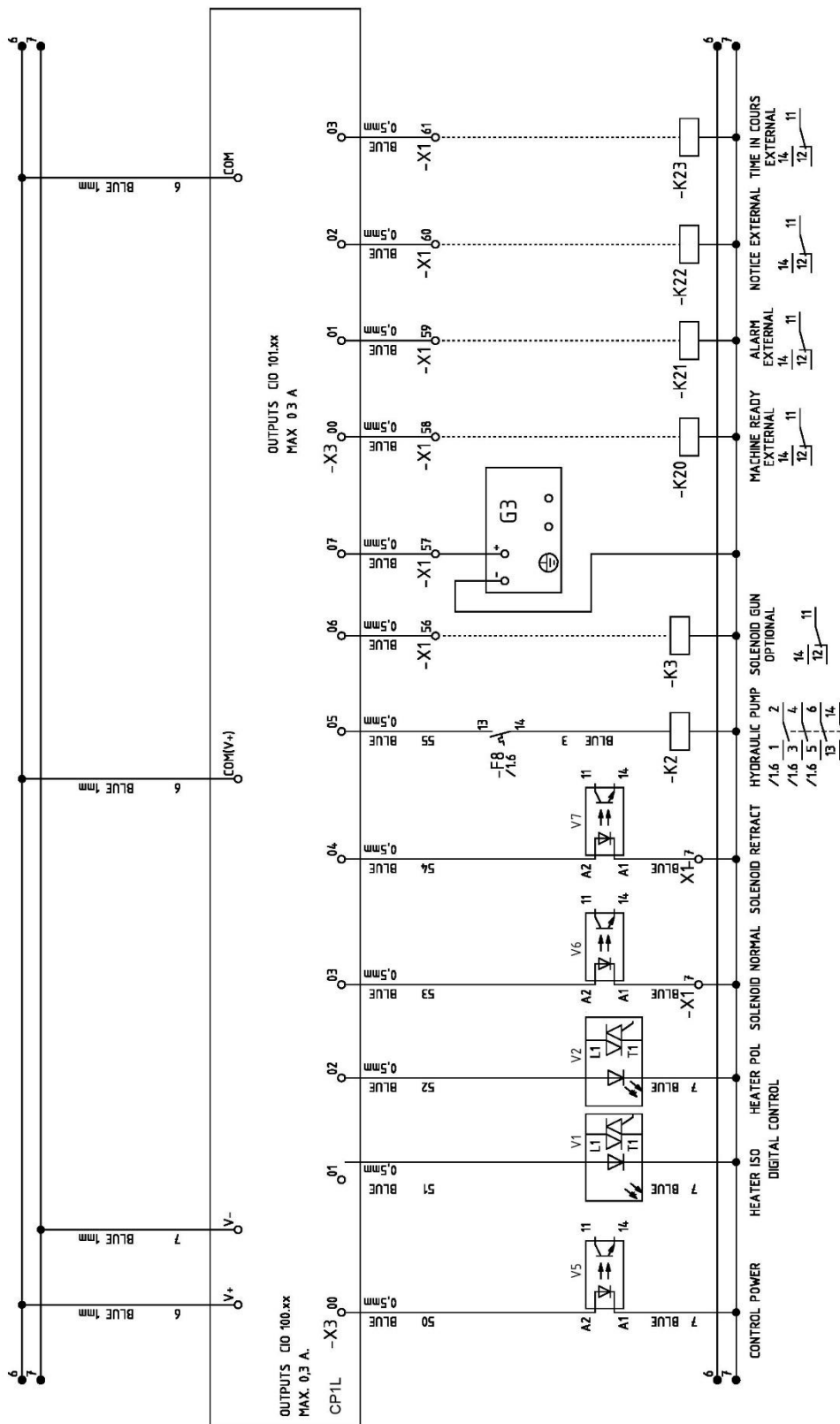


Figure 31. Elec. Schem. 3PE~400V 50/60Hz, “G-Connect+” (Sheet 6/7)



Parts Manual

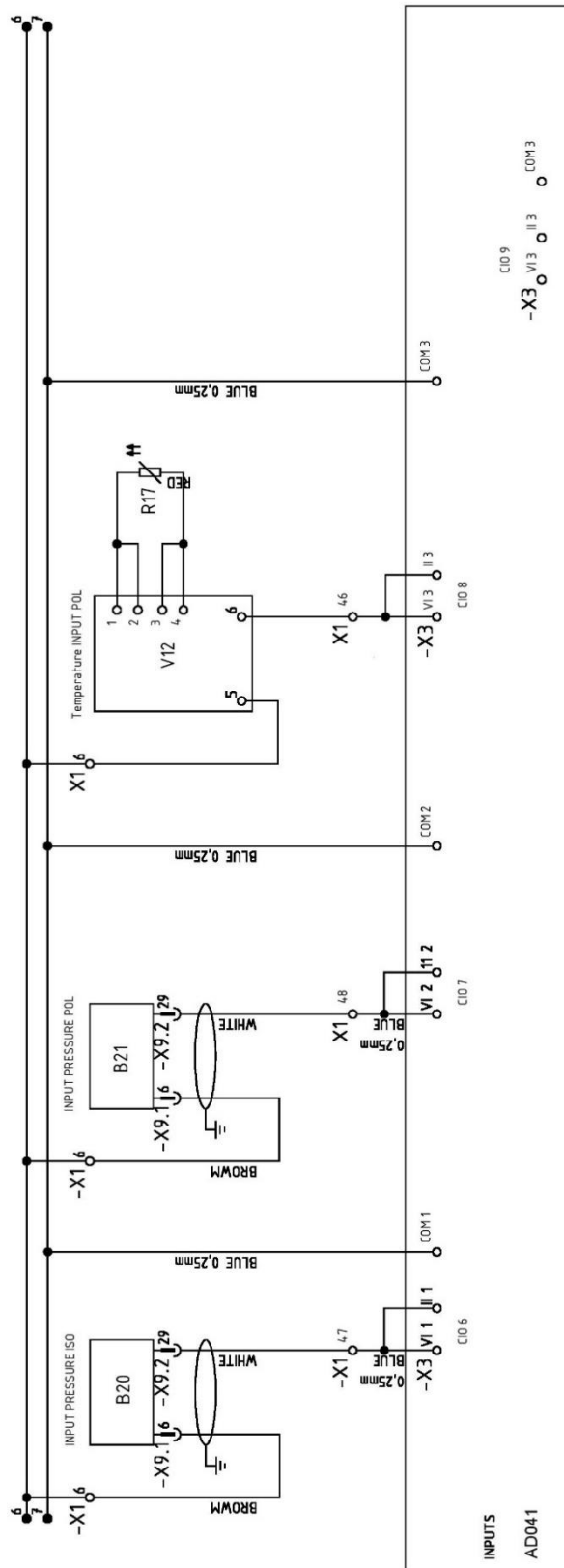


Figure 32. Elec. Schem. 3PE~400V 50/60Hz, “G-Connect+” (Sheet 7/7)

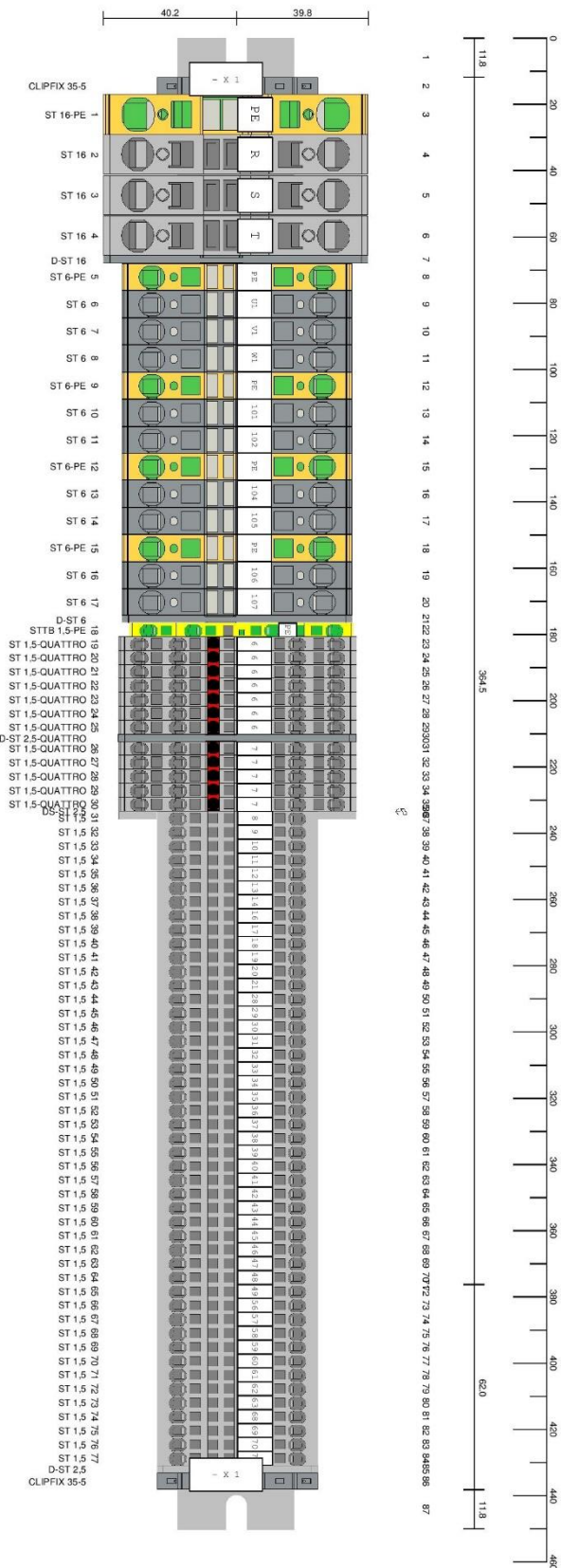


Figure 33. Distribution 3PE~400V 50/60Hz, “G-Connect+”



Parts Manual

Table 35. Elec. Schem. 3PE~400V 50/60Hz, “G-Connect+” Parts List

Item	Description	Part Number	Qty.
I1	Main Switch 63A	EL-00107-18	1
D1	Differential Switch 63A	EL-00108-04	1
C1	Ethernet Switch Module	EL-00171-07	1
C2	Industrial PC IoT	EL-00292-04	1
C3	Panel PC-HMI	EL-00292	1
G1	Power Supply	EL-00135-03	1
G2	UNO UPS	EL-00135-04	1
G3	Power Supply	EL-00135-05	1
TR1	Transformer Base	EL-00012-02	1
TR3	Current Transformer	EL-00127-19	1
M1	5.5kW Motor	EL-00138-01	1
R19	Resistance	EL-00129-01	1
K1	Contactor	EL-00121-02	1
K2	Contactor	EL-00123-02	1
X1	Distribution	EL-00105-13	1
F1	Automatic Switch 3A	EL-00109-04	1
F2, F3	Automatic Switch 32A	EL-00115-03	2
F4	Automatic Switch 20A	EL-00113-04	1
F6	Automatic Switch 50A	EL-00117-01	1
F8	Automatic Adjustable Circuit Breaker	EL-00119-15	1
	Auxiliary Contact for Switch	EL-00119-03	1
F10	Crystal Fuse	EL-00128-03	1
V1	Relay Control	EL-00126-13	1
V2	Relay Control	EL-00126-13	1
V3	Relay Control	EL-00126-11	1
V11	MCR-TC-UI-NC Mini Transmitter	EL-00164-02	1
V12	PT100 Module	EL-00292-03	1
V5	Solid State Relay	EL-00126-06	1
V6	Solid State Relay	EL-00126-06	1
V7	Solid State Relay	EL-00126-06	1
X3	CPU 30	EL-00171-03	1

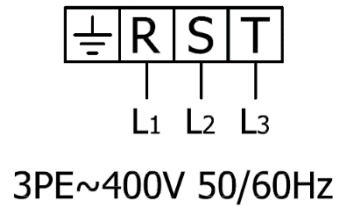
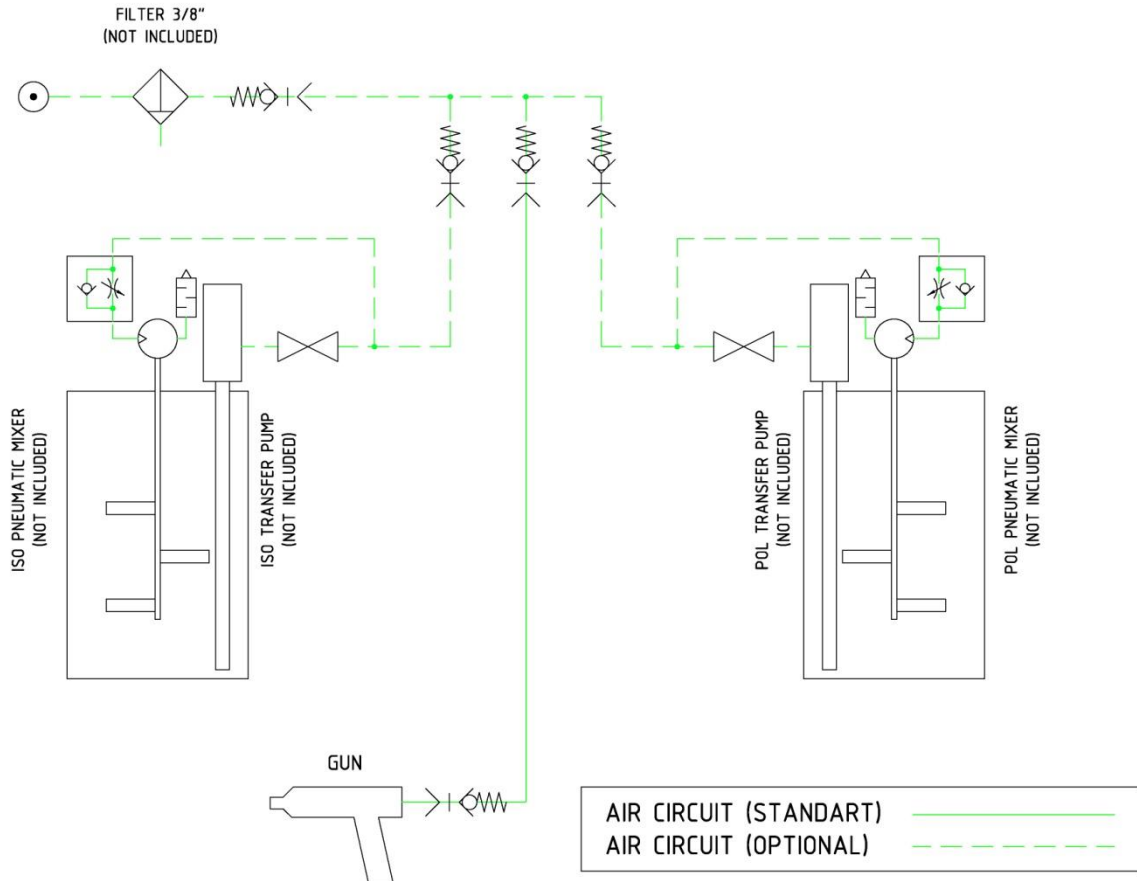


Figure 34. Connection 3PE~400V 50/60Hz, “G-Connect+”



PNEUMATIC SCHEMATIC DIAGRAM

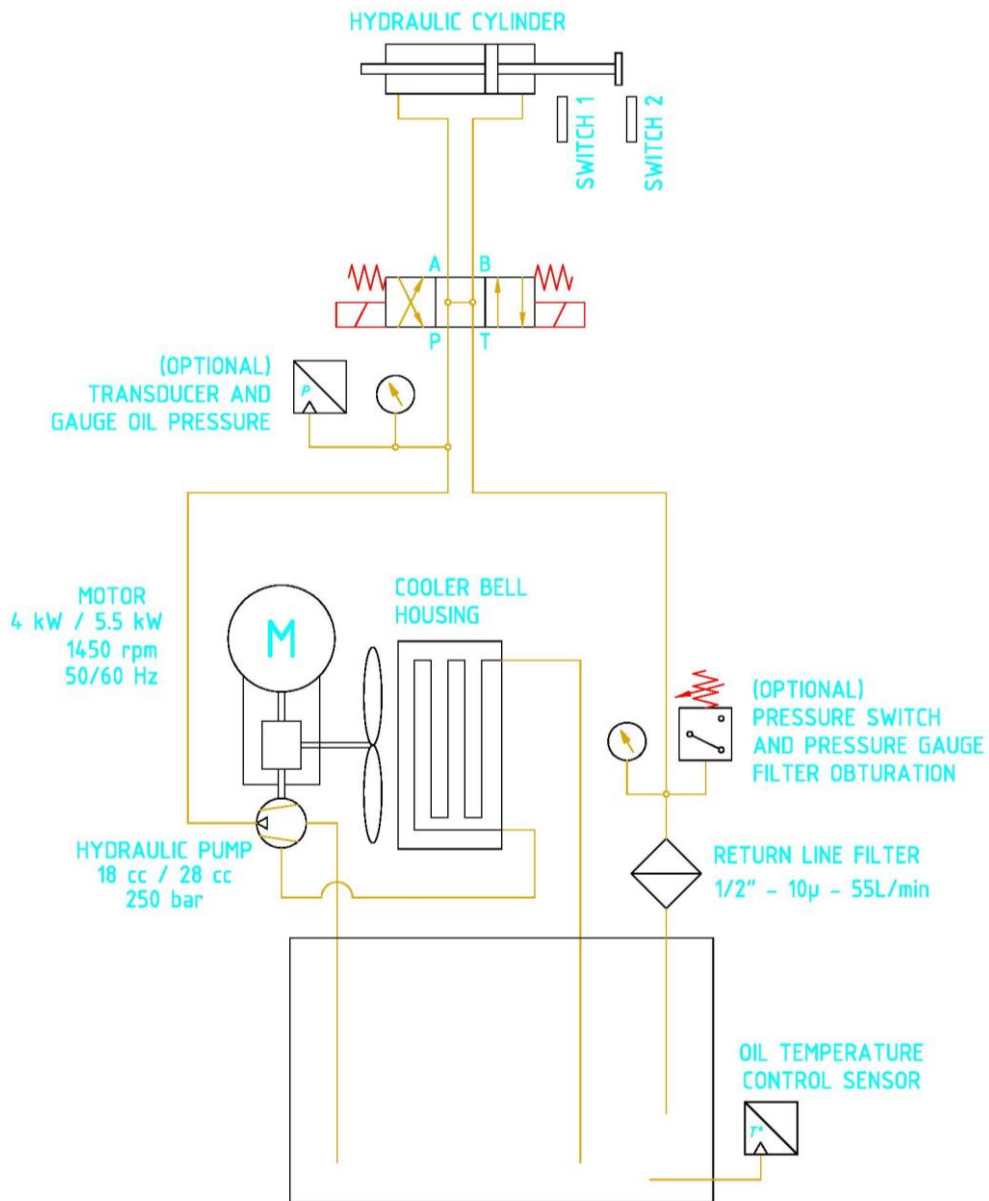


Common for G-Connect and G-Connect+

Figure 35. Pneumatic Schematic Diagram



HYDRAULIC SCHEMATIC DIAGRAM



	G-Connect	G-Connect+
Motor	4 kW	5.5 kW
Hydraulic Pump	18 cc	28 cc

Figure 36. Hydraulic Schematic Diagram



FUNCTIONING SCHEMATIC DIAGRAM

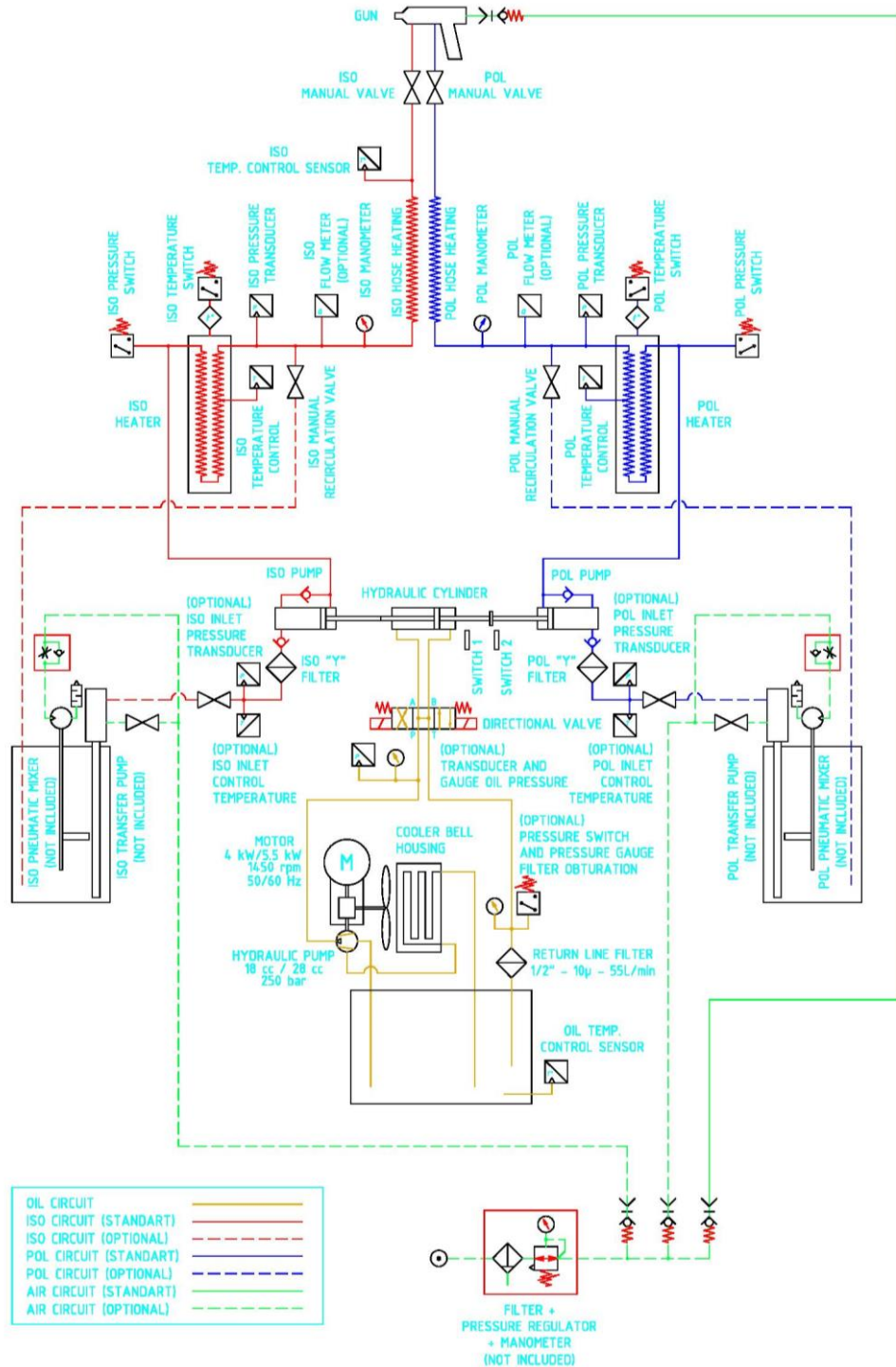


Figure 37. Functioning Schematic Diagram



TABLE OF CONTENTS

Warranty	2
Safety and Handling	3
Proportioning Unit “G- Connect”	6
Electrical Component Cabinet	11
Control Console	14
Hydraulic Power Unit 4kW/5.5kW 3PE~400V 50/60hz (18/28 cc hyd. Pump)	16
Reversing Switch Unit	20
Lube Reservoir Unit	21
Product Inlet Standard Version	22
Product Inlet Monitored Version	23
Pump line assembly	25
Hydraulic cylinder	28
“A” Proportioning pump assembly	30
“R” Proportioning Pump Assembly	33
Primary Heater G-Connect	36
Primary Heater G-Connect+	39
Recirculation Kit Direct to Tanks	42
Recirculation Kit, with ISO/POL Drier	43
Recirculation Kit, with Drying ISO Tank	44
Electrical Schem. 3PE~400V 50/60hz, “G-Connect”	46
Electrical Schem. 3PE~400V 50/60hz, “G-Connect+”	56
Pneumatic Schematic Diagram	66
Hydraulic Schematic Diagram	67
Functioning Schematic Diagram	68
Table of Contents	69
List of Tables	70
List of Illustrations	71



LIST OF TABLES

Table 1. Proport. Unit “G-Connect” and “G-Connect+”, Parts List	7
Table 2. Primary Heaters "A" ISO "G-Connect", Reference List	9
Table 3. Primary Heaters "R" Resin "G-Connect", Reference List	9
Table 4. Primary Heaters "A" ISO "G-Connect+", Reference List	9
Table 5. Primary Heaters "R" POL "G-Connect+", Reference List	9
Table 6. Electrical Console, Reference List	10
Table 7. Flow Meters Kits	10
Table 8. Electrical Component Cabinet, “G-Connect” and “G-Connect+”, Parts List	12
Table 9. Control Console “G-Connect” and “G-Connect+”, Parts List	14
Table 10. Hydraulic Power Unit 3PE~400V 50/60Hz, 4kW/5kW Motor (with 18/28cc Pump), Parts List	17
Table 11. Reversing Switch Unit, Parts List	20
Table 12. Lube Reservoir Unit, Parts List	21
Table 13. Product Inlet Standard Version, Parts List	22
Table 14. Product Inlet Monitored Version, Parts List	24
Table 15. Product Inlet Kits	24
Table 16. Pump Line Assembly, Parts List	26
Table 17. Proportioning Pump Size, Parts List	27
Table 18. Hydraulic Cylinder, Parts List	29
Table 19. “A” Proportioning Pump Assembly, Parts List	31
Table 20. “A” Proportioning Pump Assembly, Parts List	32
Table 21. Seals Monobloc “A” ISO Pump, Parts List	32
Table 22. Repair Seal Kit “A” ISO Pump, Ref.List	32
Table 23. “R” Proportioning Pump Assembly, Parts List	34
Table 24. “R” Proportioning Pump Assembly, Parts List	35
Table 25. Seals Monobloc “R” Resin Pump, Parts List	35
Table 26. Repair Seal Kit “R” Resin Pump, Ref. List	35
Table 27. Primary Heater G-Connect, Parts List	37
Table 28. Heater Resistances “G-Connect”, Reference List	38
Table 29. Primary Heater Component List “G-Connect+”, Parts List	40
Table 30. References List Heater Resistances “G-Connect+”, Ref. List	41
Table 31. Standard Recirculation Kit #KT-00199, Parts List	42
Table 32. Recirculation Kit #KT-00199-01, Parts List	43
Table 33. Recirculation Kit #KT-00199-03, Parts List	45



Table 34. Elec. Schem. 3PE~400V 50/60Hz, “G-Connect” Parts List _____ 54
Table 35. Elec. Schem. 3PE~400V 50/60Hz, “G-Connect+” Parts List _____ 64

LIST OF ILLUSTRATIONS

Figure 1. Electrical Component Cabinet, “G-Connect” and “G-Connect+” _____ 11
Figure 2. Control Console “G-Connect” and “G-Connect+” _____ 14
Figure 3. Hydr. Power Unit 3PE~400V 50/60Hz, 4kW/5.5.kW Motor (with 18/28cc Pump) _ 16
Figure 4. Reversing Switch Unit _____ 20
Figure 5. Lube Reservoir Unit _____ 21
Figure 6. Product Inlet Standard Version _____ 22
Figure 7. Product Inlet Monitored Version _____ 23
Figure 8. Pump Line Assembly _____ 25
Figure 9. Hydraulic Cylinder _____ 28
Figure 10. “A” Proportioning Pump Assembly _____ 30
Figure 11. “R” Proportioning Pump Assembly _____ 33
Figure 12. Primary Heater G-Connect _____ 36
Figure 13. ISO and POL Primary Heater “G-Connect+” _____ 39
Figure 14. Recirculation Kit #KT-00199 _____ 42
Figure 15. Recirculation Kit #KT-00199-01 _____ 43
Figure 16. Recirculation Kit #KT-00199-03 _____ 44
Figure 17. Elec. Schem. 3PE~400V 50/60Hz, “G-Connect” (Sheet 1/7) _____ 46
Figure 18. Elec. Schem. 3PE~400V 50/60Hz, “G-Connect” (Sheet 2/7) _____ 47
Figure 19. Elec. Schem. 3PE~400V 50/60Hz, “G-Connect” (Sheet 3/7) _____ 48
Figure 20. Elec. Schem. 3PE~400V 50/60Hz, “G-Connect” (Sheet 4/7) _____ 49
Figure 21. Elec. Schem. 3PE~400V 50/60Hz, “G-Connect” (Sheet 5/7) _____ 50
Figure 22. Elec. Schem. 3PE~400V 50/60Hz, “G-Connect” (Sheet 6/7) _____ 51
Figure 23. Elec. Schem. 3PE~400V 50/60Hz, “G-Connect” (Sheet 7/7) _____ 52
Figure 24. Distribution 3PE~400V 50/60Hz, “G-Connect” _____ 53
Figure 25. Connection 3PE~400V 50/60Hz, “G-Connect” _____ 55
Figure 26. Elec. Schem. 3PE~400V 50/60Hz, “G-Connect+” (Sheet 1/7) _____ 56
Figure 27. Elec. Schem. 3PE~400V 50/60Hz, “G-Connect+” (Sheet 2/7) _____ 57
Figure 28. Elec. Schem. 3PE~400V 50/60Hz, “G-Connect+” (Sheet 3/7) _____ 58
Figure 29. Elec. Schem. 3PE~400V 50/60Hz, G-Connect+ (Sheet 4/7) _____ 59
Figure 30. Elec. Schem. 3PE~400V 50/60Hz, “G-Connect+” (Sheet 5/7) _____ 60



Parts Manual

Figure 31. Elec. Schem. 3PE~400V 50/60Hz, “G-Connect+” (Sheet 6/7)	61
Figure 32. Elec. Schem. 3PE~400V 50/60Hz, “G-Connect+” (Sheet 7/7)	62
Figure 33. Distribution 3PE~400V 50/60Hz, “G-Connect+”	63
Figure 34. Connection 3PE~400V 50/60Hz, “G-Connect+”	65
Figure 35. Pneumatic Schematic Diagram	66
Figure 36. Hydraulic Schematic Diagram	67
Figure 37. Functioning Schematic Diagram	68