



**Parts Identification &  
Service Manual  
Proportioning Unit**

***NA-200***

***HYDRAULIC AIRLESS***

Issue 1.5 - 07/11/2025

Ref. NR-00040-ENG



***Before installing the unit and starting it up, carefully read all the technical and safety documentation included in this manual. Pay special attention to the information to know and understand the handling and the conditions of use of the unit. All of the information is aimed at enhancing User Safety and avoiding possible breakdowns derived from the incorrect use of the unit.***



## **WARRANTY**

HI-TECH SPRAY EQUIPMENT, S. A. (hereinafter "HI-TECH") grants this Limited Guarantee to the original buyer (hereinafter the "Client") for the unit and the original accessories given with the unit (hereinafter the "Product") against any fault in the design, materials or manufacture of the Product at the time of the first purchase by the user and for a duration of two (2) years thereafter, except in the case of hoses and TSU's, which will have a warranty period of one (1) year. Additionally, for any other product manufactured by external suppliers, the warranty period will be as specified by the manufacturer.

If during the guarantee period and under normal conditions of use, the Product should fail to work correctly due to defects of design, material or manufacture, the authorised distributor of the country where the HI-TECH Product or technical assistance service has been purchased shall repair or replace the Product in accordance with what is established in the following:

### CONDITIONS

- a) The validity of this guarantee will be subject to the presentation of the original invoice issued by the HI-TECH authorised distributor for the sale of the Product along with the Product handed over for repair or replacement, which must show the date of purchase and the serial number. HI-TECH reserves the right to refuse to give the guarantee service when the indicated data fail to appear on the invoice or have been modified after the purchase of the Product.
- b) The repaired or replaced Product will continue to maintain the original guarantee for the time remaining until the end of the guarantee or for three (3) months from the repair date, if the remaining period of the original guarantee were shorter.
- c) This guarantee will not be applied to the faults in the Product caused by its faulty installation, the natural wear and tear of the components, any use other than that considered normal for this Product or which should fail to strictly comply with the instructions of use provided by HI-TECH; due to accident, carelessness, adjustments, alterations or modifications of the Product not authorised by HI-TECH or due to the use of accessories, heating devices, pumping equipment and/or dispensers that have not been approved or manufactured by HI-TECH.
- d) The guarantee applicable to the components and accessories forming part of the Product and which have not been made by HI-TECH will be limited to the guarantee offered by the original manufacturer thereof.

**HI-TECH WILL NOT RECOGNISE ANY EXPRESS ORAL OR WRITTEN GUARANTEES OTHER THAN THIS PRINTED LIMITED GUARANTEE. ALL IMPLICIT GUARANTEES, INCLUDING, WITHOUT LIMIT, ADAPTATION FOR A SPECIFIC USE, ARE SUBJECT TO THE DURATION OF THIS WRITTEN GUARANTEE. HI-TECH DOES NOT ASSUME ANY KIND OF COMMITMENT OR RESPONSIBILITY FOR ALL POSSIBLE DAMAGE OR EXPENSE CAUSED BY FAULTS IN THE OUTPUT OF THE PRODUCT, ITS WORKING OR THE DISPENSING OF MATERIAL THROUGH THE PRODUCT, INCLUDING, WITHOUT LIMITATION, ALL EXPENSES CAUSED BY DAMAGE TO PEOPLE OR PROPERTY. EQUALLY, HI-TECH WILL IN NO CASE ACCEPT LIABILITY FOR THE LOSS OF SPECULATIVE PROFITS OR COMMERCIAL LOSSES. ALL REPAIRS OR REPLACEMENT OF FAULTY PRODUCTS WILL CONSTITUTE THE COMPREHENSIVE FULFILMENT OF HI-TECH'S OBLIGATIONS WITH RESPECT TO THE CLIENT. HI-TECH DOES NOT IN ANY WAY GUARANTEE THE SUITABILITY OR APTITUDE OF ITS PRODUCT FOR ANY PARTICULAR PURPOSE OR APPLICATION.**

All information provided on components which have not been manufactured by HI-TECH and which is based on reports received from the original manufacturer, though considered precise and reliable, is provided without any guarantee or responsibility of any explicit or implicit kind.

All concession, sale or financial leasing of the Product by HI-TECH in no case explicitly or implicitly constitutes any authorisation, acceptance or concession for the use of any rights or patents, nor does it encourage, nurture or back their infringement.

The restrictions on the guarantee suppose no limitation on the legal rights of the consumer established in applicable national legislation, nor do they affect any rights derived from the bargain and sale agreement between the consumer and supplier.

All information provided in this manual has been included in the confidence that it is true, although it does not constitute any responsibility or implicit or explicit guarantee. HI-TECH reserves the right at any time and without prior warning to make all improvements and modifications necessary to this manual, in order to rectify any possible typographical errors, increase the information contained or insert the changes caused to the characteristics and performance of the unit.

# NA-200

## HYDRAULIC AIRLESS

### Parts Identification & Manual Service



## SAFETY AND HANDLING

The equipment described in this manual has been designed and manufactured in compliance with the following European Directives, following as application guide the harmonized standards detailed and in conformity with the relevant UK Statutory Instruments (and their amendments):

**2006/42/EC Machinery Directive**

**2014/35/EU Low Voltage Directive**

**2014/30/EU EMC Directive**

**2011/65/EU RoHS Directive with amendment 2015/863**

**2012/19/EU Directive on waste electrical and electronic equipment**

Standards used:

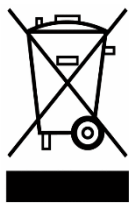
EN ISO 12100:2010

EN 60204-1:2018

EN IEC 61000-6-4:2019

EN IEC 61000-6-2:2019

EN IEC 63000:2018



Electrical products cannot be thrown out with the rubbish. They must be taken to a dedicated collection point for an environmentally sound disposal in accordance with local regulations. You must contact your local collective or retailer for information about recycling. Before leaving WEEE at appropriate collection facilities, batteries must be removed and disposed of separately for proper recycling. The packaging materials are recyclable. Dispose of packaging materials in an environmentally sound manner and place them at the disposal of recycling sectors.

### TRANSPORT AND STORAGE

Proper precautions must be taken so that the equipment can withstand the effects of transport and storage temperatures between  $-25^{\circ}\text{C}$  and  $+55^{\circ}\text{C}$  or up to  $+70^{\circ}\text{C}$  for short periods that do not exceed 24 hours. Also, appropriate means to prevent damage from moisture, vibrations or shocks must be foreseen.



## **NA-200**

### **HYDRAULIC AIRLESS**

#### **Parts Identification & Manual Service**

This chapter contains information on the safety, handling and use of the **NA-200 Hydraulic Airless** series metering unit.



**Before installing the unit and starting it up, carefully read all the technical and safety documentation included in this manual. Pay special attention to the information to know and understand the operation and the conditions of use of the unit. All of the information is aimed at enhancing User Safety and avoiding possible breakdowns derived from the incorrect use of the unit.**

**WARNING!** Establishes information to alert on a situation that might cause serious injuries if the instructions are not followed.

**PRECAUTION!** Establishes information that indicates how to avoid damage to the unit or how to avoid a situation that could cause minor injuries.

**NB:** is relevant information on a procedure being carried out.

Careful study of this manual will enable the operator to know the characteristics of the unit and the operating procedures. By following the instructions and recommendations contained herein, you will reduce the potential risk of accidents in the installation, use or maintenance of the unit; you will provide a better opportunity for incident-free operation for a longer time, greater output and the possibility of detecting and resolving problems fast and simply.

Keep this Service Manual for future consultation of useful information at all times. If you lose this manual, ask for a new copy from your **HI-TECH** local distributor or directly contact **HI-TECH SPRAY EQUIPMENT**.

**WARNING!** The design of the **NA-200 Hydraulic Airless series metering unit** does not allow its use in potentially explosive atmospheres or to exceed the pressure and temperature limits described in the technical specifications of this manual.

# NA-200

## HYDRAULIC AIRLESS



### Parts Identification & Manual Service

When working with the unit, it is recommended that the operator wear suitable clothing and elements of personal protection, including, without limitation, gloves, protective goggles, safety footwear and face masks. Use breathing equipment when working with the machine in enclosed spaces or in areas with insufficient ventilation. The introduction and follow-up of safety measures must not be limited to those described in this manual. Before starting up the machine, a comprehensive analysis must be made of the risks derived from the products to be dispensed, the type of application and the working environment



***To prevent all possible bodily harm caused by incorrect handling of the raw materials and solvents used in the process, carefully read the safety information provided by your supplier.***

***Deal with the waste caused according to current regulations.***



***Disconnect the unit from the power supply before carrying out any operation inside the electrical console.***

***The electrical maintenance of the machine must only be performed by a qualified electrician.***



***To avoid damage caused by the impact of pressurized fluids, do not open any connection or perform maintenance work on components subject to pressure until the pressure has been completely eliminated.***

***Use suitable protection when operating, maintaining or remaining in the operating area of the unit. This includes, but is not limited to, the use of masks, protective goggles, gloves, shoes and safety clothing.***



***The unit includes components that reach temperatures that are liable to cause burns. The hot parts of the unit must not be handled until they have cooled.***



***To prevent serious harm by crushing or loss of limbs, do not work with the unit without the safety guards installed on all moving parts. Make sure that all of the safety protections are correctly reinstalled after all repair or maintenance work is completed.***



## **NA-200**

### **HYDRAULIC AIRLESS**

#### **Parts Identification & Manual Service**

#### **ATTENTION:**

This equipment generates very high fluid pressure. High pressure spray can cause serious injury. Read and understand all instructions before operating.

Never point the spray gun at anyone or at any part of the body. Never put hand, fingers over the spray tip.

Always have the tip guard in place on the spray gun while spraying.

High pressure fluid in the hoses can be very dangerous. If the hose develops a leak, split or rupture due to any kind of wear, damage or misuse, the high-pressure spray emitted from it can cause a fluid injection injury or other serious bodily injury or property damage.

Never use a damaged hose

Tighten all fluid connections securely before each use. High pressure fluid can dislodge a loose coupling or allow high pressure spray to be emitted from the coupling.

Proper hose grounding continuity is essential to maintaining a grounded spray system.

If any fluid appears to penetrate your skin, get emergency medical care at once. Do not treat as a simple cut. Tell the doctor exactly what fluid was injected.

All chemicals used in the pump must be compatible with the wetted parts of the pump.

#### **PRESSURE HAZARD**

This pump can develop 240 bar working pressure. Be sure that all spray equipment and accessories used are rated to withstand this pressure. Do not exceed the maximum working pressure of any component or accessory used in the system.

#### **FIRE OR EXPLOSION HAZARD**

Static electricity is created by the flow of fluid through the pump and hose. If every part of the spray equipment is not properly grounded, sparking may occur and the system may become hazardous. Sparking may also occur when plugging in or unplugging a power supply cord. Sparks can ignite fumes from solvents and the fluid being sprayed, dust particles, whether you are spraying indoors or outdoors, and can cause a fire or explosion.

If you experience any static sparking or even a slight shock while using the equipment, stop spraying immediately. Check the system for proper grounding. Do not use the system again until the problem has been identified and corrected.

#### **GAS ENGINE (WHERE APPLICABLE)**

Always place pump outside of structure in fresh air. Keep all solvents away from the engine exhaust. Never fill fuel tank with a running or hot engine. Hot surface can ignite spilled fuel. Always attach ground wire from pump unit to a grounded object, such as a metal water pipe. Refer to engine owner's manual for complete safety information.

#### **PRESSURE RELIEVE PROCEDURE**

To reduce the risk of serious bodily injury, including fluid injection, splashing fluid or solvent in the eyes or on the skin, or injury from moving parts or electric shock, always follow this procedure whenever you shut off the sprayer, when checking or servicing any part of the spray system, when installing, cleaning or changing spray tips, and whenever you stop spraying:

# NA-200

## HYDRAULIC AIRLESS



### Parts Identification & Manual Service

- Engage the gun safety latch.
- Turn the ON/OFF switch to OFF (red).
- Unplug the power supply cord.
- Disengage the gun safety latch. Hold a metal part of the gun to the side of a grounded metal pail, and trigger the gun to relieve pressure.
- Engage the gun safety latch
- Open the pressure drain valve, having a container ready to catch the drainage.

### GROUNDING INSTRUCTIONS

Electric models must be grounded. In the event of an electrical short circuit, grounding reduces the risk of electric shock by providing an escape wire for the electric current. This product is equipped with a cord having a grounding wire with an appropriate grounding plug. The plug must be plugged into an outlet that is properly installed and grounded in accordance with all local codes and ordinances.

***DANGER!*** - Improper installation of the grounding plug can result in a risk of electric shock. If repair or replacement of the cord or plug is necessary, do not connect the green grounding wire to either flat blade terminal. The wire with insulation having a green outer surface with or without yellow stripes is the grounding wire and must be connected to the grounding pin.

***NB:*** Before starting to work the pump must be connected to ground. The pump must be connected to ground with a ground wire which is supplied with the pump (4mm<sup>2</sup> of section and a clamp).

### GASOLINE ENGINE SAFETY

- Honda engines are designed to give safe and dependable service if operated according to instructions. Read and understand the Honda Owner's Manual before operating the engine. Failure to do so could result in personal injury or equipment damage.
- To prevent fire hazards and to provide adequate ventilation, keep the engine at least 1 meter (3 feet) away from buildings and other equipment during operation. Do not place flammable objects close to the engine.
- Children and pets must be kept away from the area of operation due to a possibility of burns from hot engine components or injury from any equipment the engine may be used to operate.
- Know how to stop the engine quickly, and understand the operation of all controls. Never permit anyone to operate the engine without proper instructions.
- Gasoline is extremely flammable and is explosive under certain conditions.
- Refuel in a well-ventilated area with the engine stopped.
- Do not smoke or allow flames or sparks in the refuelling area or where gasoline is stored.
- Do not overfill the fuel tank. After refuelling, make sure the tank cap is closed properly and securely.
- Be careful not to spill fuel when refuelling. Fuel vapor or spilled fuel may ignite. If any fuel is spilled, make sure the area is dry before starting the engine.



**NA-200**  
**HYDRAULIC AIRLESS**

**Parts Identification  
& Manual Service**

- Never run the engine in an enclosed or confined area. Exhaust contains poisonous carbon monoxide gas; exposure may cause loss of consciousness and may lead to death.
- The muffler becomes very hot during operation and remains hot for a while after stopping the engine. Be careful not to touch the muffler while it is hot. To avoid severe burns or fire hazards, let the engine cool before transporting it or storing it indoors.
- Never ship/transport unit with gasoline in the tank.



## **OPERATION**

- Attach and airless spray gun to the spray hose. Do not attach the tip to the spray gun yet. Remove the tip if it is already attached.
- Check the hydraulic fluid level daily before starting the unit. The hydraulic fluid level should be at the “Full” mark, on the dipstick.
- For gas models, check the engine oil level daily before starting the unit. The gasoline engine oil level is determined by the engine manufacturer.
- Place the suction pipe into a container of solvent/water.
- Place the bleed hose into a metal waste container.
- Set the pressure to minimum by turning the pressure control knob fully counter clockwise.
- Open the hydraulic shut-off valve located on the hydraulic pressure hose. The handle should be in line with the hose.
- Open the bleed valve by turning it fully counter clockwise.
- Start the engine or turn on the electric motor.
  - a) To start the gas engine:
    - Move the fuel valve lever to the open position.
    - Move the throttle lever to its middle point.
    - Move the choke lever to the closed position for a cold engine or to the open position for a warm engine.
    - Turn the engine switch to the ON position.
    - Pull the starter rope briskly until the engine starts.
  - b) To start the electric motor, move the ON/OFF switch to the ON position.
- Turn the pressure control knob clockwise approximately 1/3 of the way down to increase pressure until the sprayer cycles evenly and solvent flows freely from the bleed hose.
- Allow the sprayer to run for 15-30 seconds to flush the test fluid out through the bleed hose and into the waste container.
- Turn off the unit
  - a) To turn off the gas engine:
    - Set the pressure to minimum by turning the pressure control knob fully counter clockwise.
    - Move the throttle lever to the slow position.
    - Turn the engine switch to the OFF position
  - b) To turn off the electric motor:
    - Set the pressure to minimum by turning the pressure control knob fully counter clockwise.
    - Move the ON/OFF switch to the OFF position.



## **PREPARING TO PAINT**

Before painting, it is important to make sure that the fluid in the system is compatible with the paint that is going to be used.

**NB:** *Incompatible fluids and paint may cause the valves to become stuck closed, which would require disassembly and cleaning of the sprayer's fluid suction.*



**CAUTION!** *Always keep the trigger lock on the spray gun in the locked position while preparing the system.*

- Place the suction pipe into a container of the appropriate solvent.

**NB:** *If you are spraying a water-based latex, flush with warm, clean water. If you are using any other material, check with the material manufacturer for a compatible solvent.*

- Place the bleed hose into a metal waste container.
- Set the pressure to minimum by turning the pressure control knob fully counter clockwise.
- Open the hydraulic shut-off valve located on the hydraulic pressure hose. The handle should be in line with the hose.
- Open the bleed valve by turning it fully counter clockwise.
- Start the engine or turn on the electric motor.
  - a) To start the gas engine:
    - Move the fuel valve lever to the open position.
    - Move the throttle lever to its middle point.
    - Move the choke lever to the closed position for a cold engine or to the open position for a warm engine.
    - Turn the engine switch to the ON position.
    - Pull the starter rope briskly until the engine starts.
  - b) To start the electric motor, move the ON/OFF switch to the ON position.
- Turn the pressure control knob clockwise approximately 1/3 of the way down to increase pressure until the sprayer cycles evenly and solvent flows freely from the bleed hose.
- Allow the sprayer to run for 15-30 seconds to flush the test fluid out through the bleed hose and into the waste container.
- Turn off the unit.
  - a) To turn off the gas engine:
    - Set the pressure to minimum by turning the pressure control knob fully counter clockwise.
    - Move the throttle lever to the slow position.
    - Turn the engine switch to the OFF position.

# NA-200

## HYDRAULIC AIRLESS



### Parts Identification & Manual Service

b) To turn off the electric motor:

Set the pressure to minimum by turning the pressure control knob fully counter clockwise.

Move the ON/OFF switch to the OFF position.

**NB: Make sure that the spray gun does not have a tip or tip guard installed.**

- Close the bleed valve by turning it fully clockwise.
- Start the engine or turn on the electric motor.
- Turn the pressure control knob clockwise approximately 1/3 of the way down to increase pressure.
- Unlock the gun by turning the gun trigger lock to the unlocked position.
- Trigger the gun into the metal waste container until the old solvent is gone and fresh solvent is coming out of the gun.
- Lock the gun by turning the gun trigger lock to the locked position.
- Set down the gun and increase the pressure by turning the pressure control knob slowly clockwise.
- Check the entire system for leaks. If leaks occur, follow the "Pressure Relief Procedure" in this manual before tightening any fitting or hoses.
- Follow the "Pressure Relief Procedure" in this manual before changing from solvent to paint.



**WARNING!** Be sure to follow the pressure relief procedure when shutting the unit down for any purpose, including servicing or adjusting any part of the spray system, changing or cleaning spray tips, or preparing for cleanup.

### PAINTING

- Place the suction pipe into a container of paint.
- Place the bleed hose into a metal waste container.
- Set the pressure to minimum by turning the pressure control knob fully counter clockwise.
- Open the hydraulic shut-off valve located on the hydraulic pressure hose. The handle should be in line with the hose.
- Open the bleed valve by turning it fully counter clockwise.
- Start the engine or turn on the electric motor.

a) To start the gas engine:

Move the fuel valve lever to the open position.

Move the throttle lever to its middle point.



## NA-200 HYDRAULIC AIRLESS

### Parts Identification & Manual Service

Move the choke lever to the closed position for a cold engine or to the open position for a warm engine.

Turn the engine switch to the ON position.

Pull the starter rope briskly until the engine starts.

- b) To start the electric motor, move the ON/OFF switch to the ON position.
- Turn the pressure control knob clockwise approximately 1/3 of the way down to increase pressure until the sprayer cycles evenly and paint flows freely from the bleed hose.
- Turn off the unit:
  - a) To turn off the gas engine.

Set the pressure to minimum by turning the pressure control knob fully counter clockwise.

Move the throttle lever to the slow position.

Turn the engine switch to the OFF position.
  - b) To turn off the electric motor.

Set the pressure to minimum by turning the pressure control knob fully counter clockwise.

Move the ON/OFF switch to the OFF position.
- Remove the bleed hose from the waste container and place it into the container of paint.
- Close the bleed valve by turning it fully clockwise.
- Start the engine or turn on the electric motor.
- Turn the pressure control knob clockwise approximately 1/3 of the way down to increase pressure.
- Unlock the gun by turning the gun trigger lock to the unlocked position.



**WARNING!** Ground the gun by holding it against the edge of the metal container while flushing. Failure to do so may lead to a static electric discharge, which may cause a fire.

- Trigger the gun into the metal waste container until all air and solvent is flushed from the spray hose and paint is flowing freely from the gun.
- Lock the gun by turning the gun trigger lock to the locked position.
- Turn off the unit.
- Attach tip guard and tip to the gun as instructed by the tip guard or tip manuals.



**WARNING! POSSIBLE INJECTION HAZARD.** Do not spray without the tip guard in place. Never trigger the gun unless the tip is in either the spray or the unclog position. Always engage the gun trigger lock before removing, replacing or cleaning tip.

# NA-200

## HYDRAULIC AIRLESS



### Parts Identification & Manual Service

Start the engine or turn on the electric motor.

Increase the pressure by turning the pressure control knob slowly clockwise and test the spray pattern on a piece of cardboard. Adjust the pressure control knob until the spray from the gun is completely atomized.

**NB:** *Turning the pressure up higher than needed to atomize the paint will cause premature tip wear and additional over spray.*

### PRESSURE RELIEVE PROCEDURE



**WARNING!** *Be sure to follow the pressure relief procedure when shutting the unit down for any purpose, including servicing or adjusting any part of the spray system, changing or cleaning spray tips, or preparing for cleanup.*

- Lock the gun by turning the gun trigger lock to the locked position.
- Turn off the unit
  - a) To turn off the gas engine
    - Set the pressure to minimum by turning the pressure control knob fully counter clockwise.
    - Move the throttle lever to the slow position
    - Turn the engine switch to the OFF position.
  - b) To turn off the electric motor.
    - Set the pressure to minimum by turning the pressure control knob fully counter clockwise.
    - Move the ON/OFF switch to the OFF position.
- Close the hydraulic shut-off valve on the hydraulic pressure hose.
- Unlock the gun by turning the gun trigger lock to the unlocked position.
- Hold the metal part of the gun firmly to the side of a metal waste container to ground the gun and avoid a build-up of static electricity.
- Trigger the gun to remove any pressure that may still be in the hose.
- Lock the gun by turning the gun trigger lock to the locked position.
- Place the bleed hose into the metal waste container.
- Open the bleed valve by turning it fully counter clockwise.



## CLEANUP



**WARNING!**

*Special clean-up instructions for use with flammable solvent.*

- Always flush spray gun preferably outside and at least one hose length from spray pump.
- If collecting flushed solvents in a one-gallon metal container, place it into an empty five-gallon container, then flush solvents.
- Area must be free of flammable vapours.
- Follow all clean-up instructions.



**CAUTION!** *The sprayer, hose, and gun should be cleaned thoroughly after daily use. Failure to do so permits material to build up, seriously affecting the performance of the unit.*

**WARNING!** *Always spray at minimum pressure with the gun nozzle tip removed when using mineral spirits or any other solvent to clean the sprayer, hose, or gun. Static electricity build-up may result in a fire or explosion in the presence of flammable vapours.*

- Follow the "Pressure Relief Procedure" found in the Operation section of this manual.
- Remove the gun tip and tip guard and clean with a brush using the appropriate solvent.
- Place the suction pipe into a container of the appropriate solvent.



**CAUTION!** *Use only compatible solvents when cleaning out oil-based enamels, lacquers, coal tar, and epoxies. Check with the fluid manufacturer for the recommended solvent.*

- Place the bleed hose into the metal waste container.
- Set the pressure to minimum by turning the pressure control knob fully counter clockwise.
- Open the hydraulic shut-off valve located on the hydraulic pressure hose. The handle should be in line with the hose.
- Open the bleed valve by turning it fully counter clockwise.
- Start the engine or turn on the electric motor.
- Allow the solvent to circulate through the unit and flush the paint out of the bleed hose into the metal waste container.
- Turn off the unit.
- Close the bleed valve by turning it fully clockwise.
- Start the engine or turn on the electric motor

# NA-200

## HYDRAULIC AIRLESS

### Parts Identification & Manual Service



**WARNING!** Ground the gun by holding it against the edge of the metal container while flushing. Failure to do so may lead to a static electric discharge, which may cause a fire.

- Trigger the gun into the metal waste container until the paint is flushed out off the hose and solvent is coming out of the gun.
- Continue to trigger the spray gun into the waste container until the solvent coming out of the gun is clean.

**NB:** For long term or cold weather storage, pump mineral sprits through the entire system.

- Follow the “Pressure Relief Procedure” found in the Operation section of this manual.
- Store the unit in a clean, dry area.



**WARNING!**  
Do not store the unit under pressure.

### CLEANING A CLOGGED TIP

1. Follow the “Pressure Relief Procedure” in the Operation section on this manual.
2. In the tip clogs, rotate the tip handle 180° until the arrow on the handle is facing the opposite of the spray direction and the handle clicks in the reverse position.
3. Trigger the gun once so that the pressure can blow the clog out. NEVER use the tip in the reverse position for more than ONE trigger pull at a time. This procedure can be repeated until the tip is free of clogging.



**WARNING!** The flow from the spray tip is at very high pressure. Contact with any body part may be dangerous. Do not place finger on gun outlet. Do not point the gun at any person. Never operate the spray gun without the proper tip guard.



## MAINTENANCE



**WARNING!** Before proceeding, follow the Pressure Relief Procedure outlined previously in this manual. Additionally, follow all other warnings to reduce the risk of an injection injury, injury from moving parts or electric shock. Always unplug the sprayer before servicing.

### DAILY MAINTENANCE

Two daily procedures are required for routine operator maintenance on this unit:

- Lubricating the upper packing.
- Cleaning the rock catcher.

#### **Lubricating the Upper Packings**

- Clean out the paint that has seeped past the upper packings into the packing oil reservoir above the fluid section.
- Fill the packing oil reservoir 1/2 full with Piston Lube supplied by the factory. This will extend packing life.

**NB:** Do not over -fill the reservoir so that it overflows and drips into the paint.

### MAINTAINING THE HYDRAULIC SYSTEM



**CAUTION!** Use of Hydraulic Fluid DIN 51524 standard, section 1 & 2 (for example ISO VG 46) is mandatory in the hydraulic system. Do not use any other hydraulic fluid. Use of any other hydraulic fluid may seriously damage the hydraulic system and will void the warranty.

1. Check the hydraulic fluid daily. It should be at the "Full" mark on the dipstick. If it is low, add only Hydraulic Fluid DIN 51524 standard, section 1 & 2 (for example ISO VG 46). Never add or change hydraulic fluid except in a clean, dust-free area. Contamination of the hydraulic fluid will shorten hydraulic pump life and may void warranty.
2. Change the hydraulic fluid every twelve months. Drain the old fluid from the tank. Start the unit at just enough pressure to operate the fluid section. Run the unit at this low pressure for at least 5 minutes. This removes air from the system. Check the fluid level after this procedure.
3. The hydraulic system has an external, replaceable hydraulic filter. Change the filter every twelve months.

# NA-200

## HYDRAULIC AIRLESS



### Parts Identification & Manual Service

## BASIC ENGINE MAINTENANCE (GAS ENGINE)

For detailed engine maintenance and technical specifications refer to the separate gasoline engine manual.

All service to the engine should be performed by an authorized Honda Power Equipment dealer.

### DAILY

- Check engine oil level, and fill as necessary.
- Check gasoline level, and fill as necessary.



**WARNING!** Always follow the fueling procedure outlined earlier in this manual.

### FIRST 20 HOURS

1. Change engine oil.

### EVERY 100 HOURS

1. Change engine oil.
2. Clean the sediment cup.
3. Clean and re-gap the spark plug.
4. Clean the spark arrestor

### WEEKLY

Remove the air filter cover and clean the element. In very dusty environments, check the filter daily. Replace the element as needed. Replacement elements can be purchased from your local Honda dealer.

### ENGINE OPERATION SERVICE

1. Clean and oil air filter pad on gasoline engine every 25 hours or once weekly. Do not permit the air intake screen around the fly wheel of the gas engine to load up with paint or trash. Clean it regularly. The service life and efficiency of the gas engine model depends upon keeping the gasoline engine running properly. Change the oil in the engine every 100 hours. Failure to observe this may result in engine overheating. Consult the engine manufacturer's service manual provided.
2. To conserve fuel, service life, and efficiency of the unit, always operate the gasoline engine at the lowest RPM at which it runs smoothly without labouring and delivers the amount required for the particular painting operation. Higher RPM does not produce higher working pressure. The gasoline engine is connected to the hydraulic pump by a pulley combination designed to produce full paint delivery of 1.2 GPM at maximum RPM.
3. The warranty on gasoline engines or electric motors is limited to the original manufacturer.



## TROUBLESHOOTING

TROUBLE	POSSIBLE CAUSE	SOLUTION
Pump delivers on upstroke only or goes up slowly and down fast.	<ul style="list-style-type: none"> <li>▪ Lower foot valve ball is not seating due to trash or wear.</li> <li>▪ Material too viscous to siphon.</li> <li>▪ Air leaking in on siphon side or damaged siphon hose. Siphon may be too small for heavy material.</li> </ul>	<ul style="list-style-type: none"> <li>▪ Remove foot valve assembly. Clean and inspect. Test foot valve by filling with water; if ball fails to seal the seat, replace ball.</li> <li>▪ Thin material, contact manufacturer for proper thinning procedures.</li> <li>▪ Tighten all connections between pump and paint container. If damaged, replace. Switch to larger diameter siphon set.</li> </ul>
Pump delivers on down stroke only or goes up fast and down slowly.	<ul style="list-style-type: none"> <li>▪ Upper ball is not seating due to trash or wear.</li> <li>▪ Lower packing set is worn.</li> </ul>	<ul style="list-style-type: none"> <li>▪ Check upper seat and ball with water. If ball fails to seal, replace seat.</li> <li>▪ Replace packing set if worn.</li> </ul>
Pump moves up and down fast, delivering material.	<ul style="list-style-type: none"> <li>▪ Material container is empty or material is too thick to flow through siphon hose.</li> <li>▪ Bottom ball stuck to foot valve seat.</li> <li>▪ Siphon hose is kinked or loose.</li> </ul>	<ul style="list-style-type: none"> <li>▪ Refill with new material. If too thick, remove siphon hose, immerse fluid section in material, and start pump to prime. Add thinner to material. Change to bigger siphon set. Open bleed valve to remove air and restart pump.</li> <li>▪ Remove foot valve. Clean ball and seat.</li> <li>▪ Straighten.</li> </ul>
Pump moves up and down slowly when spray gun is shut off.	<ul style="list-style-type: none"> <li>▪ Loose connections. Bleed valve is open partially or bleed valve is worn. Lower packing seat is worn.</li> <li>▪ Upper and/or lower ball not seating.</li> </ul>	<ul style="list-style-type: none"> <li>▪ Check all connections between pump and gun. Tighten as necessary. If material is flowing from bleed hose, close bleed valve or replace, if necessary. Should none of the above be evident, replace lower packing.</li> <li>▪ Reseat balls by cleaning.</li> </ul>
Not enough fluid pressure at gun.	<ul style="list-style-type: none"> <li>▪ Spray tip is worn.</li> <li>▪ Outlet filter or gun filter is clogged.</li> <li>▪ Low voltage and/or inadequate amperage.</li> <li>▪ Hose size or length is too small or too long.</li> </ul>	<ul style="list-style-type: none"> <li>▪ Replace.</li> <li>▪ Clean or replace filter.</li> <li>▪ Check electrical service. Correct as required.</li> <li>▪ Increase hose size to minimize pressure drop through hose and/or reduce hose length.</li> </ul>
Pump chatters on up or down stroke.	<ul style="list-style-type: none"> <li>▪ Solvent has caused upper packing to swell.</li> </ul>	<ul style="list-style-type: none"> <li>▪ Replace packing.</li> </ul>



**Parts Identification  
 & Manual Service**

TROUBLE	POSSIBLE CAUSE	SOLUTION
Oil motor stalls at bottom (no unusual heat problems).	<ul style="list-style-type: none"> <li>▪ Fluid pump piston seat unthreaded.</li> <li>▪ Valve sticking or oil motor trip rod shifter assembly separated.</li> </ul>	<ul style="list-style-type: none"> <li>▪ If connecting rod is okay, remove cylinder head plug and pop valve down. Replace plug and start machine. If machine cycles up and stops at bottom again, then problem is piston seat on fluid pump. Check piston seat. Repair or replace as necessary. If piston seat is okay and problem does not change, check oil motor.</li> <li>▪ Remove valve and check for scratches and rough movement when sliding it up and down. Replace valve and spool in this condition. Check trip rod for possible separation and spool in this condition. Check trip rod for possible separation.</li> </ul>
Oil motor stalls at top (no unusual heat problems).	<ul style="list-style-type: none"> <li>▪ Valve sticking.</li> <li>▪ Broken spring retainer (valve rod assembly).</li> <li>▪ Broken spring or valve rod.</li> <li>▪ Air in hydraulic motor.</li> <li>▪ Air in fluid pump</li> </ul>	<ul style="list-style-type: none"> <li>▪ Remove valve and check for scratches and rough movement when sliding it up and down. Replace valve and spool in this condition.</li> <li>▪ Replace valve rod assembly.</li> <li>▪ Replace valve rod assembly</li> <li>▪ Reset valve. Purge Air, generally accomplished by low pressure cycling of motor/pump assembly for 5-10 minutes.                      Check for causes of air introduction:                     <ul style="list-style-type: none"> <li>○ Loose fittings in tank.</li> <li>○ Loose fittings on hydraulic pump.</li> <li>○ Loose hose connections.</li> <li>○ Low oil in reservoir.</li> </ul> </li> <li>▪ Stall at top can occur randomly when fluid pump picks up air. Reset valve. Avoid air in the fluid pump.</li> </ul>



## TECHNICAL SPECIFICATIONS

### *Mechanical (with Electrical Motor)*

Maximum working pressure: \_\_\_\_\_ 228 bar (22,8 MPa)  
Max. Production : \_\_\_\_\_ 5,7 l/min  
Maximum PCD size: \_\_\_\_\_ 1 gun → 0,036"  
\_\_\_\_\_ 2 guns → 0,026"  
Electric Motor Power: \_\_\_\_\_ 4,02 HP / 3 kW (220v 50 Hz)  
Approximate weight (hydraulic tank empty): \_\_\_\_\_ 66 kg  
Approximate weight (hydraulic tank full): \_\_\_\_\_ 70,4 kg  
Hydraulic tank capacity: \_\_\_\_\_ 5 l

### *Mechanical (with Gasoline Engine)*

Maximum working pressure: \_\_\_\_\_ 228 bar (22,8 MPa)  
Max. Production : \_\_\_\_\_ 6,4 l/min  
Maximum PCD size: \_\_\_\_\_ 1 gun → 0,043"  
\_\_\_\_\_ 2 guns → 0,033"  
Gasoline Motor Power: \_\_\_\_\_ 5,5 HP / 4,1 kW  
Approximate weight (hydraulic & gasoline tanks empty): \_\_\_\_\_ 72 kg  
Approximate weight (hydraulic & gasoline tanks full): \_\_\_\_\_ 78,5 kg  
Hydraulic tank capacity: \_\_\_\_\_ 5 l  
Gasoline tank capacity: \_\_\_\_\_ 3 l

### *Acoustic*

A-weighted sound pressure level (Electric / Gasoline Engine): \_\_\_\_\_ --,- / --,- dB (A)  
A-weighted sound power level (Electric / Gasoline Engine): \_\_\_\_\_ --,- / --,- dB (A)

**Values obtained according to UNE-EN ISO 3746:1995 standard.**

Hydraulic oil type: \_\_\_\_\_ DIN 51524 standard, section 1 & 2 (for example ISO VG 46)  
Gasoline Fuel type (\*): \_\_\_\_\_ E5 (95/98 octane without oil)  
Motor Lubricant (\*): \_\_\_\_\_ SAE 10/30W

**(\*) Only NA-200 G model**

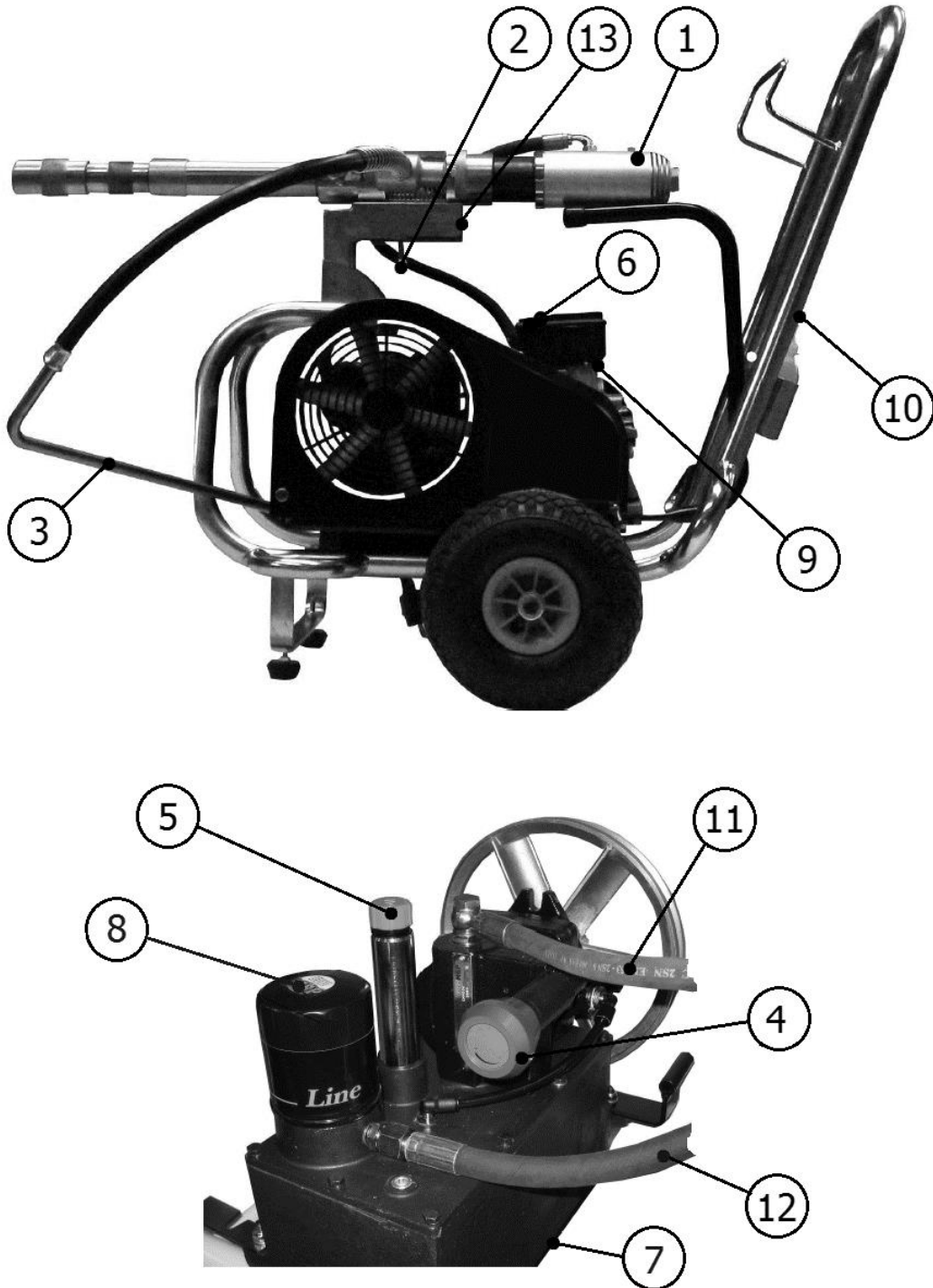
Dimensions: \_\_\_\_\_ H: 1352 mm / W: 945 mm / L: 745 mm

**NA-200**  
**HYDRAULIC AIRLESS**

Parts Identification  
& Manual Service



**GENERAL DESCRIPTION**



ORIGINAL MANUAL

**Figure 1. NA-200 model, General Description.**



**Table 1. NA-200 model, General Description**

Item.	Description
1	Pump
2	Hydraulic Shut-Off Valve
3	Drain Valve
4	Pressure Control
5	Hydraulic Fluid Level
6	On/Off Switch
7	Hydraulic Tank
8	Hydraulic Filter
9	Electric Motor 4 HP / 3kW 220v 50Hz (NA-200 E)
	Gasoline Engine Honda 5,5 HP / 4,1 kW (NA-200 G)
10	Trolley
11	Inlet Hydraulic System (Pressure Line)
12	Outlet Hydraulic System (Return Lin)
13	Ground & Wire Ground

**Table 2. NA-200, Available models**

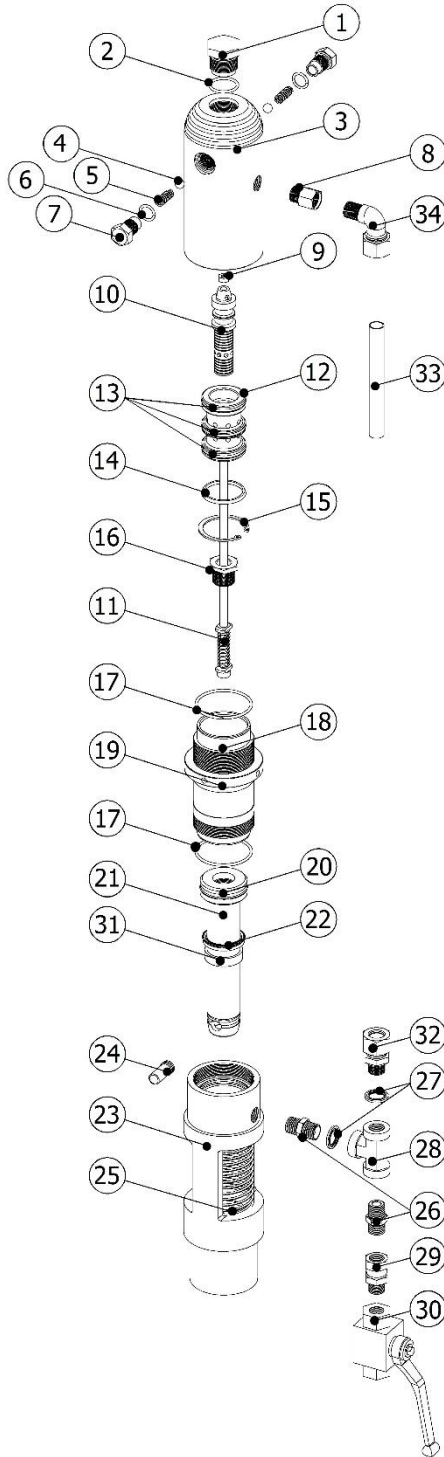
Description	Part Number
Model with Electric Motor	NA-200E
Model with Gasoline Engine	NA-200G

**NA-200**  
**HYDRAULIC AIRLESS**

Parts Identification  
& Manual Service



**MOTOR PUMP**



ORIGINAL MANUAL

**Figure 2. Motor Pump, Parts List.**



**Table 3. Motor Pump, Parts List**

Item	Description	Part Number	Qty.
1	Plug	ASP-07	1
2	O-Ring	ASP-08	1
3	Cylinder Hydraulic Pump	ASP-09	1
4	Ball	ASP-10	2
5	Spring	ASP-11	2
6	O-Ring	ASP-12	2
7	Plug	ASP-13	2
8	Nipple	ASP-14	1
9	Nut	ASP-15	1
10	Valve	ASP-16	1 (*)
11	Shaft	ASP-17	1
12	Distributor	ASP-18	1 (*)
13	O-Ring	ASP-19	3
14	Washer	ASP-20	1
15	Washer	ASP-21	1
16	Nut	ASP-22	1
17	O-Ring	ASP-23	2
18	Cylinder	ASP-24	1
19	Nut	ASP-25	1
20	Joint	ASP-26	1
21	Base Cylinder	ASP-27	1
22	Joint	ASP-28	1
23	Body Cylinder	ASP-29	1
24	Pin	ASP-30	1
25	Spring	ASP-31	1
26	Nipple	ASP-32	2
27	Joint	ASP-33	2
28	Connector	ASP-34	1
29	Nut	ASP-35	1

**NA-200**  
**HYDRAULIC AIRLESS**



**Parts Identification  
& Manual Service**

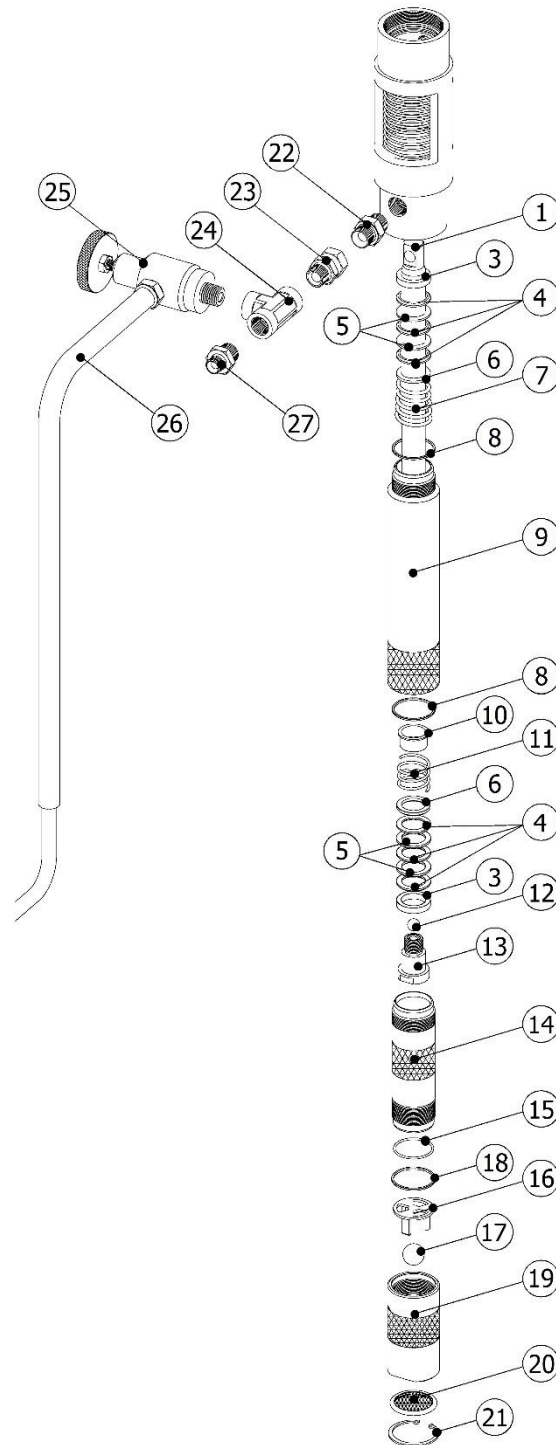
Item	Description	Part Number	Qty.
30	Valve	ASP-36	1
31	Guide	ASP-37	1
32	Nipple	ASP-38	1
33	Pipe	ASP-39	1
34	Elbow	ASP-40	1
35	Motor Pump Rebuild Kit (*) Parts sold together	ASP-41	

ORIGINAL MANUAL



**DISPLACEMENT PUMP**

ORIGINAL MANUAL



**Figure 3. Displacement Pump, Parts List.**

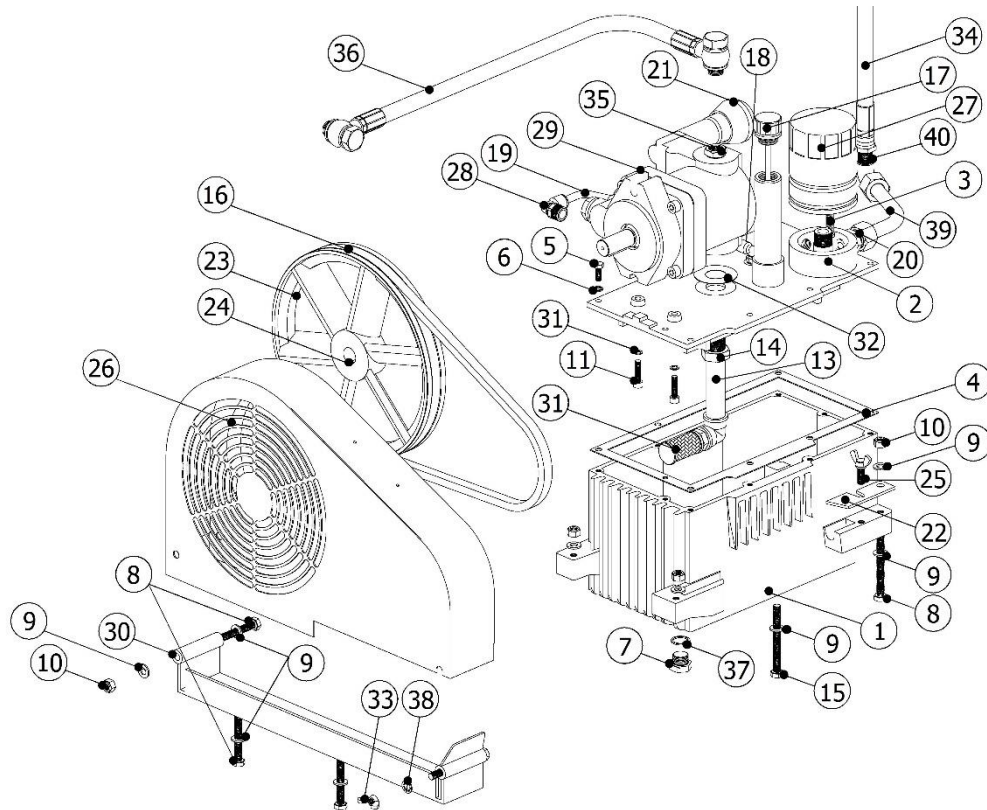


**Table 4. Displacement Pump, Parts List**

Item	Description	Part Number	Qty.
1	Rod	ASP-42	1
2	Displacement Pump Rebuilt kit (*) Parts included	ASP-5	
3	Female Gland	ASP-43	2 (*)
4	Packing	ASP-44	6 (*)
5	Packing	ASP-45	4 (*)
6	Male Gland	ASP-46	2 (*)
7	Spring	ASP-47	1
8	Joint	ASP-48	2
9	Cylinder	ASP-49	1
10	Spring Seat	ASP-50	1
11	Spring	ASP-51	1
12	Ball	ASP-52	1 (*)
13	Piston	ASP-53	1
14	Cylinder	ASP-54	1
15	O-Ring	ASP-55	1
16	Ball Guide	ASP-56	1
17	Ball	ASP-57	1 (*)
18	Joint	ASP-58	1
19	Valve	ASP-59	1
20	Filter	ASP-60	1
21	Washer	ASP-61	1
22	Nipple	ASP-62	1
23	Nut	ASP-63	1
24	"T"	ASP-64	1
25	Valve	ASP-65	1
26	Purge	ASP-66	1
27	Nipple	ASP-67	1



**HYDRAULIC SYSTEM**



**Figure 4. Hydraulic System, Parts List.**

**Table 5. Hydraulic System, Parts List**

Item	Description	Part Number	Qty.
1	Tank	ASP-68	1
2	Cover	ASP-69	1
3	Valve	ASP-70	1
4	Joint	ASP-71	1
5	Screw	ASP-72	10
6	Washer	ASP-73	10
7	Plug	ASP-74	1
8	Screw	ASP-75	5

**NA-200**  
**HYDRAULIC AIRLESS**



**Parts Identification  
 & Manual Service**

Item	Description	Part Number	Qty.
9	Washer	ASP-76	8
10	Nut	ASP-77	4
11	Screw	ASP-78	2
12	Filter	ASP-79	1
13	Pipe	ASP-80	1
14	Nut	ASP-81	1
15	Screw	ASP-82	1
16	Belt	ASP-83	1
17	Dipstick	ASP-84	1
18	Elbow	ASP-85	1
19	Pipe	ASP-86	1
20	Nipple	ASP-87	1
21	Knop	ASP-88	1 (*)
22	Plate	ASP-89	1
23	Pulley	ASP-90	1
24	Pin	ASP-91	1
25	Screw	ASP-92	1
26	Cover	ASP-93	1
27	Filter	ASP-94	1
28	Elbow	ASP-95	1 (*)
29	Piston Pump	ASP-96	1 (*)
30	Support	ASP-97	1
31	Washer	ASP-98	2
32	Joint	ASP-99	1
33	Nut	ASP-100	1
34	Hose	ASP-101	1
35	Nipple	ASP-102	1 (*)
36	Hose	ASP-103	1
37	Washer	ASP-104	1
38	Washer	ASP-105	1
39	Pipe	ASP-106	1
40	Nipple	ASP-107	1
41	Hydraulic System Rebuilt Kit (*) Parts included	ASP-108	

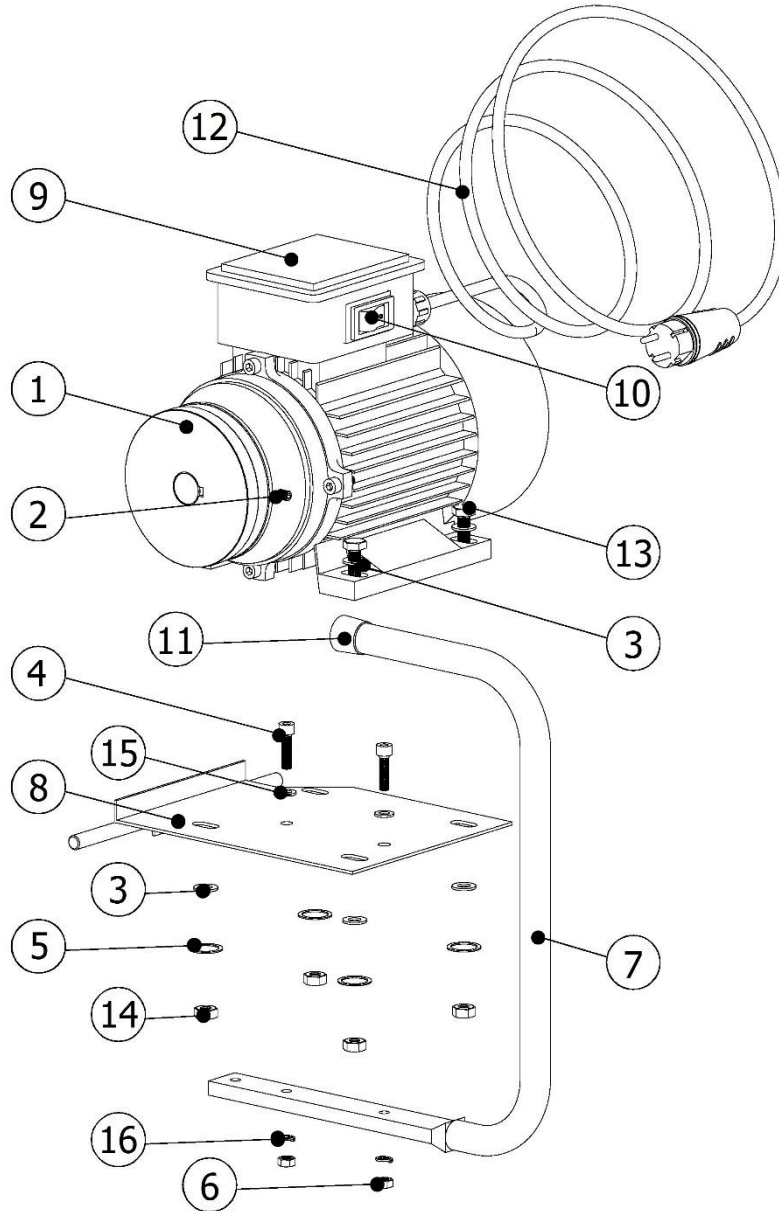
ORIGINAL MANUAL



**NA-200**  
**HYDRAULIC AIRLESS**

Parts Identification  
& Manual Service

**MODEL WITH ELECTRIC MOTOR**



**Figure 5. Model with Electric Motor, Parts List.**

**NA-200**  
**HYDRAULIC AIRLESS**

**Parts Identification  
& Manual Service**



**Table 6. Model with Electric Motor, Parts List**

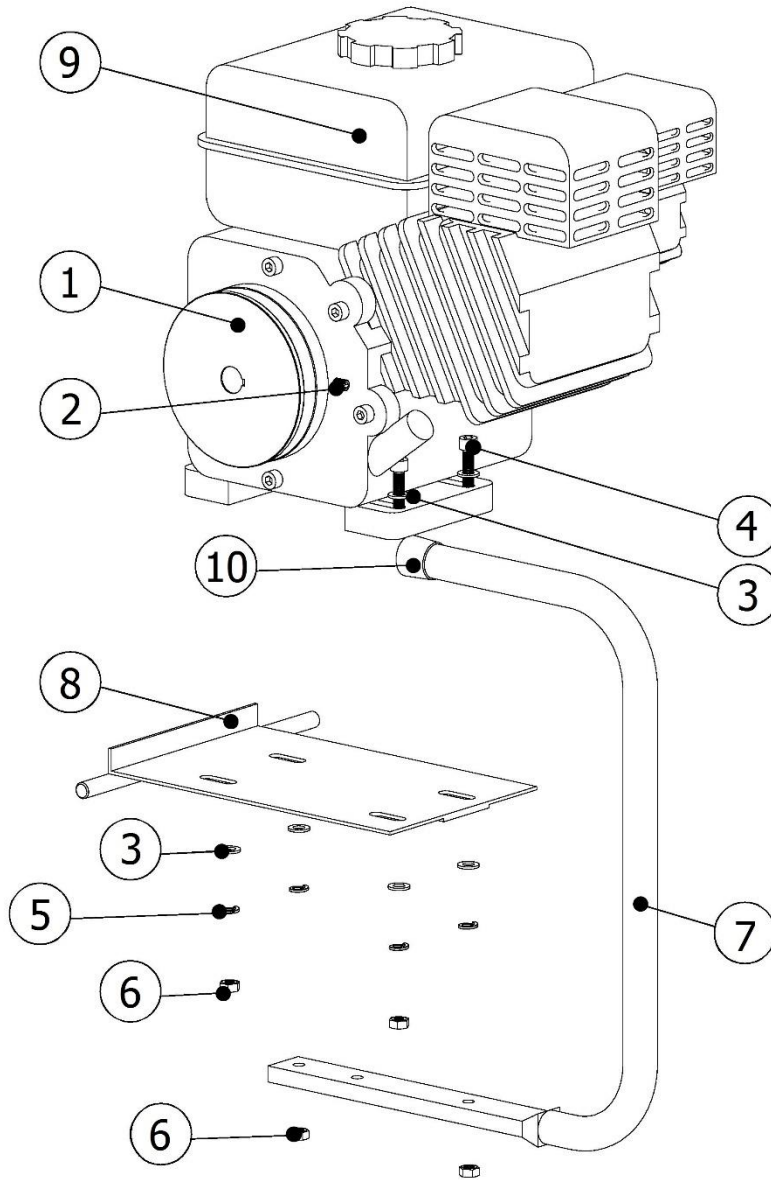
Item	Description	Part Number	Qty.
1	Pulley	ASP-109	1
2	Pin	ASP-110	1
3	Washer	ASP-111	8
4	Screw	ASP-112	2
5	Washer	ASP-113	4
6	Nut	ASP-114	2
7	Handle	ASP-115	1
8	Plate	ASP-116	1
9	Motor	ASP-117	1
10	Switch On/Off	ASP-118	1
11	Plug	ASP-119	1
12	Cable	ASP-120	1
13	Screw	ASP-121	4
14	Nut	ASP-122	4
15	Washer	ASP-123	2
16	Washer	ASP-124	2

***If you need the Electric Motor kit separately, you should request the Part Number ASP-06.***

ORIGINAL MANUAL



**MODEL WITH GASOLINE ENGINE**



**Figure 6. Model with Gasoline Engine, Parts List.**

**NA-200**  
**HYDRAULIC AIRLESS**

**Parts Identification  
& Manual Service**



**Table 7. Model with Gasoline Engine, Parts List**

<b>Item</b>	<b>Description</b>	<b>Part Number</b>	<b>Qty.</b>
1	Pulley	ASP-125	1
2	Pin	ASP-110	1
3	Washer	ASP-123	8
4	Screw	ASP-112	4
5	Washer	ASP-124	4
6	Nut	ASP-114	4
7	Handle	ASP-115	1
8	Plate	ASP-126	1
9	Motor	ASP-127	1
10	Plug	ASP-119	1

***If you need the Gasoline Motor kit separately, you should request the Part Number ASP-145.***



**ACCESSORIES**

Description	Part Number	
KIT HP+FILTER+DRAIN VALVE, WHEN SPRAYING PAINTS	ASP-128	
(CARBON STEEL) 1,150 kg	ASP-129	
(ALUMINIUM) 0,900 kg	ASP-130	
 <b>OBSOLETE</b>		
(CARBON STEEL) 1,830 kg	ASP-131	
(ALUMINIUM) 1,430 kg	ASP-132	
 <b>OBSOLETE</b>		
SWIVEL CONNECTOR	ASP-133	
	ASP-134	
	ASP-	
REVERSIBLE BASE  (* )	ASP-03	



(\* ) item supplied with the ASP-02 gun when purchased with the machine.

When the gun is purchased individually it does not include a TIP and Reversible Base.

**NA-200**  
**HYDRAULIC AIRLESS**




**Parts Identification  
 & Manual Service**

Description	Part Number	
TIP EXTENSIONS	ASP-135	0,9 m
	ASP-164	0,3 m
		
AIRLESS GUN FILTER		
50 MESH (COLOR WHITE)	ASP-136	
100 MESH (COLOR YELLOW)	ASP-137	
200 MESH (COLOR RED)	ASP-138	
Airless GUN (see specific chapter in sheet 37)	ASP-02	
HOSES		
1/4" x 1 m (3.28 ft)	ASP-01	
1/4" x 15 m (49.2 ft)	ASP-139	
3/8" x 15 m (49.2 ft)	ASP-00	
1/2" x 15 m (49.2 ft)	ASP-140	
UNION		
3/8" M-M	ASP-141	
1/2" M-M	ASP-142	
1/4" M-M	ASP-143	
1/4" M- 3/8" M	ASP-144	
STRAIGHT GUN	ASP-	

ORIGINAL MANUAL



**Table 8. Auto Clean TIP model, Parts List**

<b>ORIFICE SIZE</b>	<b>Part Number</b>	<b>Fan Width at 300 mm</b>	<b>FLOW Litres/min</b>
AUTO CLEAN TIP 	ASP-04.XX.XX		
0.79 mm / 0.031"	ASP-04.31.40 (*)	200-250 (431)	3.89
0.89 mm / 0.035"	ASP-04.35.40	200-250 (435)	4.96
0.68 mm / 0.027"	ASP-04.27.60	300-350 (627)	2.91
0.58 mm / 0.023"	ASP-04.23.20	100-150 (223)	2.08
0.46 mm / 0.018"	ASP-04.19.70	350-400 (719)	1.36

**(\*) Tip supplied with the ASP-02 gun when purchased with the machine.**

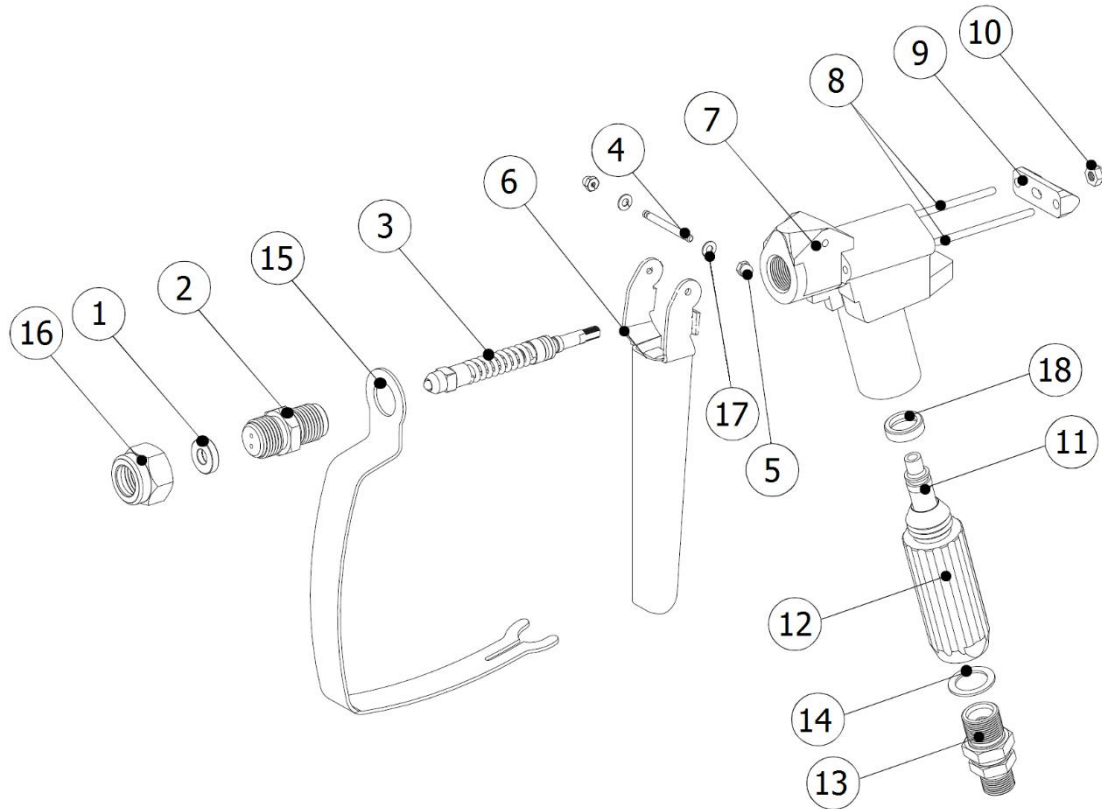
**When the gun is purchased individually it does not include a TIP.**

**NA-200**  
**HYDRAULIC AIRLESS**

Parts Identification  
& Manual Service



**AIRLESS GUN**



ORIGINAL MANUAL

**Figure 7. Airless Gun ASP-02 model, Parts List.**

Weight with packaging:	0.620 kg (1.37 lb)
Weight without PCD:	0.530 kg (1.17 lb)
Dimensions of packaging:	235 x 175 x 47 (9.25 in x 6.89 in x 1.85 in)
Max. working pressure:	350 bar (5076 psi)
Inlet:	Male 1/4" BSP



**Table 9. Airless Gun ASP-02 model, Parts List**

Item	Description	Part Number	Qty.
1	Joint	ASP-146 (*)	1
2	Needle Seat	ASP-147	1
3	Needle	ASP-148	1
4	Trigger Shaft	ASP-149	1
5	Nut	ASP-150	2
6	Trigger	ASP-151	1
7	Body gun	ASP-152	1
8	Shaft	ASP-153	2
9	Needle Handle	ASP-154	1
10	Nut	ASP-155	1
11	Filter (50 Mesh)	ASP-136 (*)	2
12	Handle Gun	ASP-156	1
13	Swivel Union	ASP-157	1
14	Joint	ASP-158	1
15	Trigger Guard	ASP-159	1
16	Nut	ASP-160 (*)	1
17	Washer	ASP-161	2
18	Seat	ASP-162	1
19	Auto Clean TIP (not shown)	See <b>Table 8</b>	1
20	Reversible Base (not Shown)	ASP-03	1

**When ASP-02 gun purchased with the machine, include 2 Filters (item 11), 1 Reversible Base ASP-03 and 1 TIP ASP-04.31.40. In the same case not include the Joint ASP-146 and the Nut ASP-160.**

**When ASP-02 gun purchased individually, include 1 Joint ASP-146, 1 Nut ASP-160 and 1 Filter ASP-136. IN the same case not include the TIP ASP-04.31.40 and Reversible Base ASP-03.**

# **NA-200**

## **HYDRAULIC AIRLESS**

### **Parts Identification & Manual Service**



## **OBSERVATIONS**

- The unit is delivered with full oil tank.
- The NA-200G unit with gasoline engine is delivered with the empty fuel tank.
- When ordering, you can choose the type of motor you want on the unit (E electrical or G gasoline).
- All orders will include a gun **ASP-02** with the standard configuration:
  - Gun Assembly
  - Auto Clean TIP **ASP-04.31.40**
  - Reversible Base **ASP-03**
  - Replacement Filter 50 Mesh (white) **ASP-136**

If you need another gun configuration, contact with Sales Department.

If you ordered a gun individually without the machine, see the notes on previous page to see what it includes.



## CONTENT

<b>Warranty</b>	<b>2</b>
<b>Safety and Handling</b>	<b>3</b>
PRESSURE HAZARD	6
FIRE OR EXPLOSION HAZARD	6
GAS ENGINE (WHERE APPLICABLE)	6
PRESSURE RELIEVE PROCEDURE	6
GROUNDING INSTRUCTIONS	7
GASOLINE ENGINE SAFETY	7
<b>Operation</b>	<b>9</b>
PREPARING TO PAINT	10
PAINTING	11
PRESSURE RELIEVE PROCEDURE	13
<b>Cleanup</b>	<b>14</b>
CLEANING A CLOGGED TIP	15
<b>Maintenance</b>	<b>16</b>
DAILY MAINTENANCE	16
MAINTAINING THE HYDRAULIC SYSTEM	16
BASIC ENGINE MAINTENANCE (GAS ENGINE)	17
DAILY	17
FIRST 20 HOURS	17
EVERY 100 HOURS	17
WEEKLY	17
ENGINE OPERATION SERVICE	17
<b>Troubleshooting</b>	<b>18</b>
<b>Technical Specifications</b>	<b>20</b>
Mechanical (with Electrical Motor)	20
Mechanical (with Gasoline Engine)	20
Acoustic	20
<b>General Description</b>	<b>21</b>
<b>Motor Pump</b>	<b>23</b>
<b>Displacement Pump</b>	<b>26</b>
<b>hydraulic System</b>	<b>28</b>
<b>Model with Electric Motor</b>	<b>30</b>
<b>Model with Gasoline Engine</b>	<b>32</b>
<b>Accessories</b>	<b>34</b>
<b>Airless Gun</b>	<b>37</b>
<b>Observations</b>	<b>39</b>
<b>Content</b>	<b>40</b>
<b>List of tables</b>	<b>41</b>
<b>List Of Illustrations</b>	<b>41</b>

**NA-200**  
**HYDRAULIC AIRLESS**

Parts Identification  
& Manual Service



## LIST OF TABLES

Table 1. NA-200 model, General Description	22
Table 2. NA-200, Available models	22
Table 3. Motor Pump, Parts List	24
Table 4. Displacement Pump, Parts List	27
Table 5. Hydraulic System, Parts List	28
Table 6. Model with Electric Motor, Parts List	31
Table 7. Model with Gasoline Engine, Parts List	33
Table 8. Auto Clean TIP model, Parts List	36
Table 9. Airless Gun ASP-02 model, Parts List	38

## LIST OF ILLUSTRATIONS

Figure 1. NA-200 model, General Description.	21
Figure 2. Motor Pump, Parts List.	23
Figure 3. Displacement Pump, Parts List.	26
Figure 4. Hydraulic System, Parts List.	28
Figure 5. Model with Electric Motor, Parts List.	30
Figure 6. Model with Gasoline Engine, Parts List.	32
Figure 7. Airless Gun ASP-02 model, Parts List.	37