



Parts Manual

Recirculation Kits for Proportioning Units

Issue 1.6 04/11/25
Ref. NR-00033-ENG



Before starting or doing maintenance on the Unit, carefully read all of the technical and safety documentation included in the Service Manual. Special attention should be paid to the information in order to know and understand the handling and conditions of use of the Unit. This information is aimed at USER SAFETY and the PREVENTION OF PROBLEMS.



WARRANTY

HI-TECH SPRAY EQUIPMENT, S. A. (hereinafter "HI-TECH") grants this Limited Guarantee to the original buyer (hereinafter the "Client") for the unit and the original accessories given with the unit (hereinafter the "Product") against any fault in the design, materials or manufacture of the Product at the time of the first purchase by the user and for a duration of two (2) years thereafter, except in the case of hoses and TSU's, which will have a warranty period of one (1) year. Additionally, for any other product manufactured by external suppliers, the warranty period will be as specified by the manufacturer.

If during the guarantee period and under normal conditions of use, the Product should fail to work correctly due to defects of design, material or manufacture, the authorised distributor of the country where the HI-TECH Product or technical assistance service has been purchased shall repair or replace the Product in accordance with what is established in the following:

CONDITIONS

- a) The validity of this guarantee will be subject to the presentation of the original invoice issued by the HI-TECH authorised distributor for the sale of the Product along with the Product handed over for repair or replacement, which must show the date of purchase and the serial number. HI-TECH reserves the right to refuse to give the guarantee service when the indicated data fail to appear on the invoice or have been modified after the purchase of the Product.
- b) The repaired or replaced Product will continue to maintain the original guarantee for the time remaining until the end of the guarantee or for three (3) months from the repair date, if the remaining period of the original guarantee were shorter.
- c) This guarantee will not be applied to the faults in the Product caused by its faulty installation, the natural wear and tear of the components, any use other than that considered normal for this Product or which should fail to strictly comply with the instructions of use provided by HI-TECH; due to accident, carelessness, adjustments, alterations or modifications of the Product not authorised by HI-TECH or due to the use of accessories, heating devices, pumping equipment and/or dispensers that have not been approved or manufactured by HI-TECH.
- d) The guarantee applicable to the components and accessories forming part of the Product and which have not been made by HI-TECH will be limited to the guarantee offered by the original manufacturer thereof.

HI-TECH WILL NOT RECOGNISE ANY EXPRESS ORAL OR WRITTEN GUARANTEES OTHER THAN THIS PRINTED LIMITED GUARANTEE. ALL IMPLICIT GUARANTEES, INCLUDING, WITHOUT LIMIT, ADAPTATION FOR A SPECIFIC USE, ARE SUBJECT TO THE DURATION OF THIS WRITTEN GUARANTEE. HI-TECH DOES NOT ASSUME ANY KIND OF COMMITMENT OR RESPONSIBILITY FOR ALL POSSIBLE DAMAGE OR EXPENSE CAUSED BY FAULTS IN THE OUTPUT OF THE PRODUCT, ITS WORKING OR THE DISPENSING OF MATERIAL THROUGH THE PRODUCT, INCLUDING, WITHOUT LIMITATION, ALL EXPENSES CAUSED BY DAMAGE TO PEOPLE OR PROPERTY. EQUALLY, HI-TECH WILL IN NO CASE ACCEPT LIABILITY FOR THE LOSS OF SPECULATIVE PROFITS OR COMMERCIAL LOSSES. ALL REPAIRS OR REPLACEMENT OF FAULTY PRODUCTS WILL CONSTITUTE THE COMPREHENSIVE FULFILMENT OF HI-TECH'S OBLIGATIONS WITH RESPECT TO THE CLIENT. HI-TECH DOES NOT IN ANY WAY GUARANTEE THE SUITABILITY OR APTITUDE OF ITS PRODUCT FOR ANY PARTICULAR PURPOSE OR APPLICATION.

All of the information provided on components which have not been manufactured by HI-TECH and which is based on reports received from the original manufacturer, though considered precise and reliable, is provided without any guarantee or responsibility of any explicit or implicit kind.

All concession, sale or financial leasing of the Product by HI-TECH in no case explicitly or implicitly constitutes any authorisation, acceptance or concession for the use of any rights or patents, nor does it encourage, nurture or back their infringement.

The restrictions on the guarantee suppose no limitation on the legal rights of the consumer established in applicable national legislation, nor do they affect any rights derived from the bargain and sale agreement between the consumer and supplier.



All of the information provided in this manual has been included in the confidence that it is true, although it does not constitute any responsibility or implicit or explicit guarantee. HI-TECH reserves the right at any time and without prior warning to make all improvements and modifications necessary to this manual, in order to rectify any possible typographical errors, increase the information contained or insert the changes caused to the characteristics and performance of the unit.

SAFETY AND HANDLING

The equipment described in this manual has been designed and manufactured in compliance with the following European Directives, following as application guide the harmonized standards detailed and in conformity with the relevant UK Statutory Instruments (and their amendments):

2006/42/EC Machinery Directive

2014/35/EU Low Voltage Directive

2014/30/EU EMC Directive

2011/65/EU RoHS Directive with amendment 2015/863

2012/19/EU Directive on waste electrical and electronic equipment

Standards used:

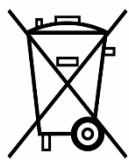
EN ISO 12100:2010

EN 60204-1:2018

EN IEC 61000-6-4:2019

EN IEC 61000-6-2:2019

EN IEC 63000:2018



Electrical products cannot be thrown out with the rubbish. They must be taken to a dedicated collection point for an environmentally sound disposal in accordance with local regulations. You must contact your local collective or retailer for information about recycling. Before leaving WEEE at appropriate collection facilities, batteries must be removed and disposed of separately for proper recycling. The packaging materials are recyclable. Dispose of packaging materials in an environmentally sound manner and place them at the disposal of recycling sectors.

TRANSPORT AND STORAGE

Proper precautions must be taken so that the equipment can withstand the effects of transport and storage temperatures between -25°C and $+55^{\circ}\text{C}$ or up to $+70^{\circ}\text{C}$ for short periods that do not exceed 24 hours. Also, appropriate means to prevent damage from moisture, vibrations or shocks must be foreseen.



RECIRCULATION KITS

Table 1. Quick Reference

Reference	Description	For Unit	Length Hoses
KT-00038	Recirculation heater to tank without dryers	For hydraulic units except NOVAG-I model	3 m
	Recirculation Round heater to tank without dryers	For hydraulic units except NOVAG-I model	3 m
NKT-00038	Recirculation from output manifold to external tank, without dryers	For hydraulic units NOVAG-I model without tanks	3 m
KT-00038-01	Recirculation heater to tank with dryer on ISO & POL	For hydraulic units except NOVAG-I model	3 m
	Recirculation Round heater to tank with dryer on ISO & POL	For hydraulic units except NOVAG-I model	3 m
KT-00038-02	Recirculation coupling block gun to tank with dryer on ISO & POL	For hydraulic units except NOVAG-I model	4 m
KT-00038-03	Recirculation heater to tank only with dryer on ISO	For hydraulic units except NOVAG-I model	3 m
	Recirculation Round heater to tank only with dryer on ISO	For hydraulic units except NOVAG-I model	3 m
KT-00038-06	Recirculation coupling block gun to tank with dryer on ISO & POL	For hydraulic units except NOVAG-I model	5 m
KT-00038-11	Recirculation heater to tank with dryer on ISO & POL	For hydraulic units except NOVAG-I model	5 m
NKT-00038-12	Recirculation coupling block gun to tank with straight pipe	For NOVAG-I model	0.75 m
NKT-00038-13	Recirculation heater to tank with straight pipe	For NOVAG-I model	0.75 m

If not specified, all hoses will be 3/8" size.



KT-00038

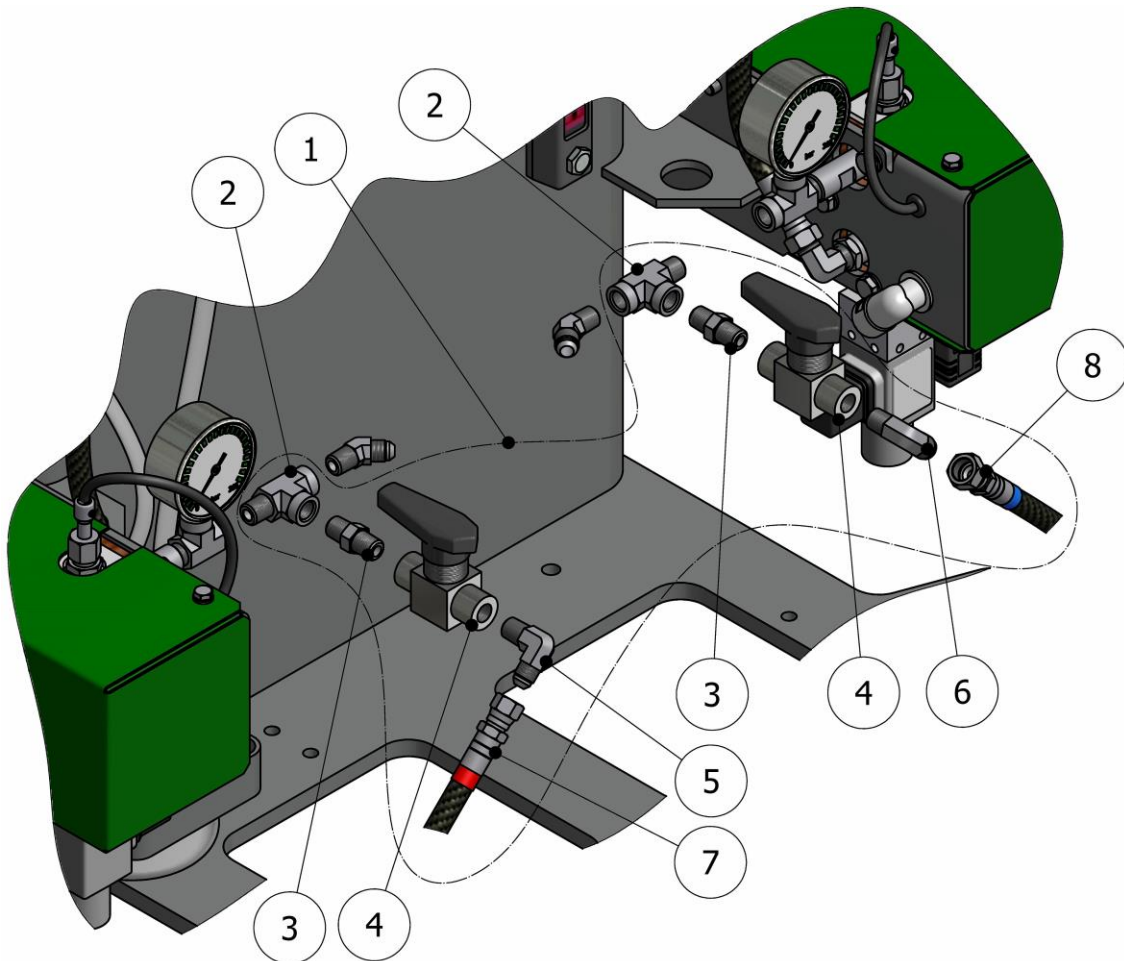


Figure 1. KT-00038 Assembly

Valid for hydraulic units except NOVAG-I model.

Recirculation heater to tank without dryers, length hoses 3 m.



Table 2. KT-00038 Parts List

Item	Description	Reference	Qty.
1	Recirculation Kit Heater to Tank	KT-00038	1
2	"T" Adapter	RA-00018	2
3	Nipple Union	RA-00188	2
4	Ball Valve	RA-00217	2
5	Elbow	RA-00254	1
6	Elbow	RA-00044	1
7	Hydraulic Hose 3/8" - 3m	MA-00050-01	1
8	Hydraulic Hose 3/8" - 3m	MA-00050-00	1

Notes:

Quantities per set.

Valid for hydraulic units except NOVAG-I model.

Recirculation heater to tank without dryers, length hoses 3 m.



RECIRC. KIT FOR ROUND HEATERS WITHOUT DRYERS

Valid only for round heaters

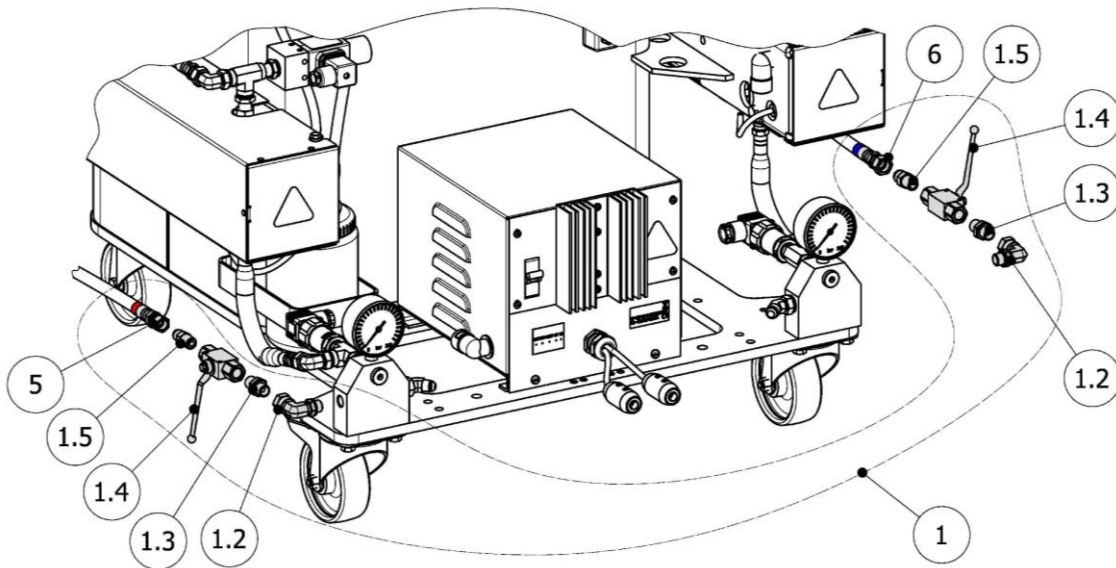


Figure 2. Recirc. Kit for Round Heaters without Dryers

Table 3. Recirc. Kit for Round Heaters without Dryers, Parts List

item.	Description	Part Number	Qty.
1	Recirculation Kit for Round Heaters without Dryers		1
1.2	Elbow 90°	RA-00496	2
1.3	Nipple	RA-00138	2
1.4	Ball Valve	RA-00217	2
1.5	“A” ISO Nipple	RA-00146	1
1.6	“R” POL Nipple	RA-00147	1
5	ISO Recirculation Hose	MA-00050-01	1
6	POL Recirculation Hose	MA-00050-00	1



NKT-00038

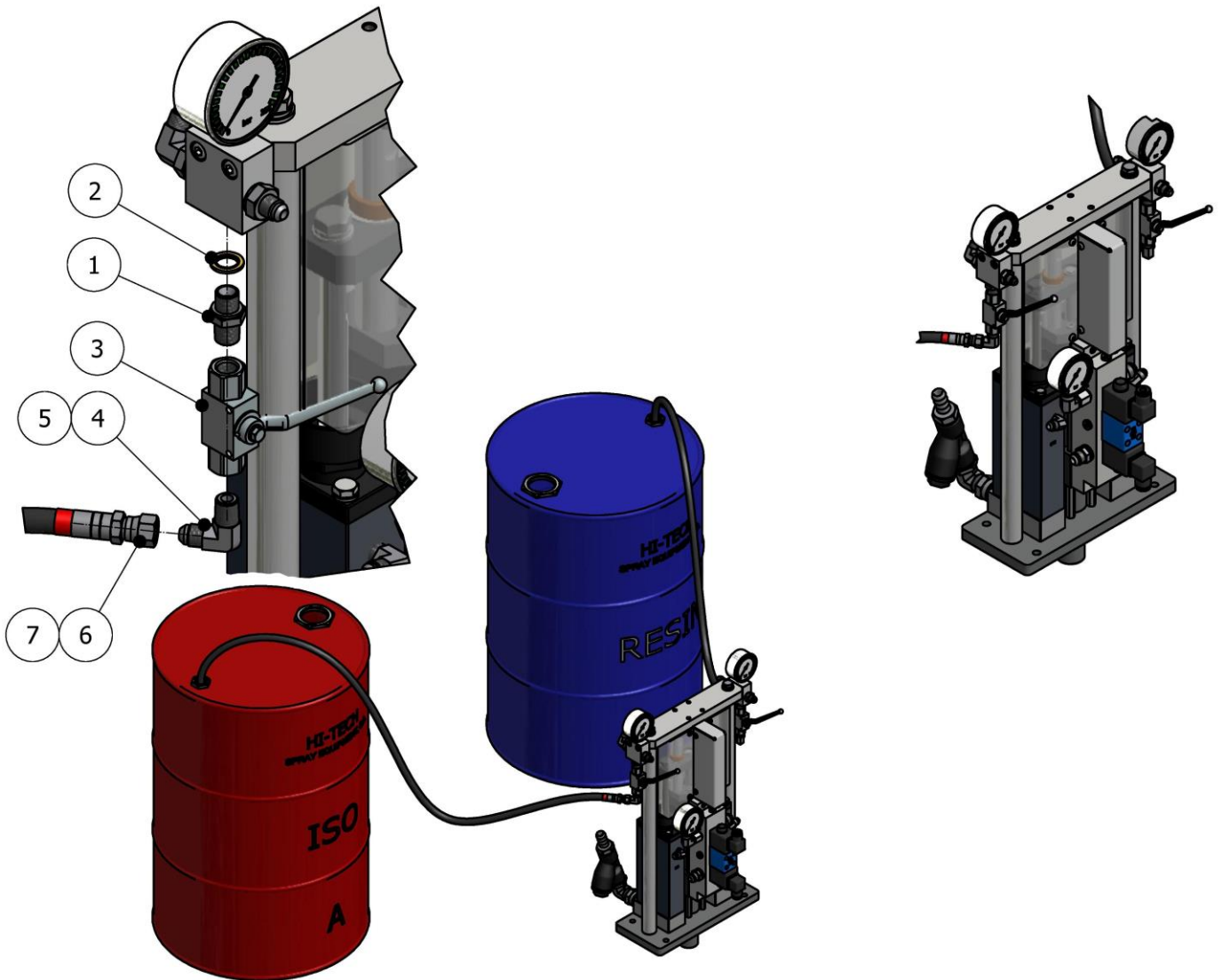


Figure 3. NKT-00038 Assembly

Valid for hydraulic units NOVAG-I model without tanks.

Recirculation from output manifold to external tank without dryers, length hoses 3 m.



Table 4. NKT-00038 Parts List

Item	Description	Reference	Qty.
1	Nipple Union	RA-00188	2
2	Metal Seal ring	OR-00054	2
3	Ball Valve	RA-00217	2
4	90° ISO Elbow	RA-00254	1
5	90° POL Elbow	RA-00044	1
6	Hydraulic Hose 3/8" - 3m	MA-00050-01	1
7	Hydraulic Hose 3/8" - 3m	MA-00050-00	1

Notes:

Quantities per set.

Valid for hydraulic units NOVAG-I model without tanks.

Recirculation from output manifold to tank without dryers, length hoses 3 m.



KT-00038-01

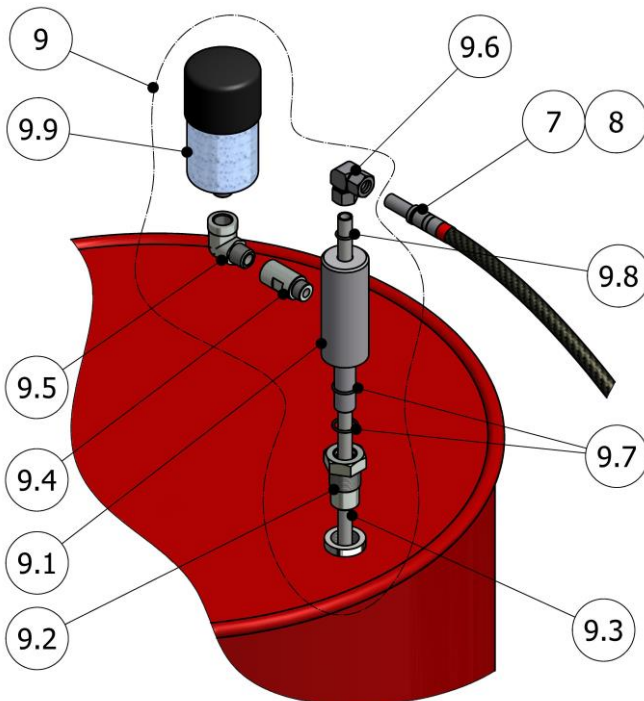
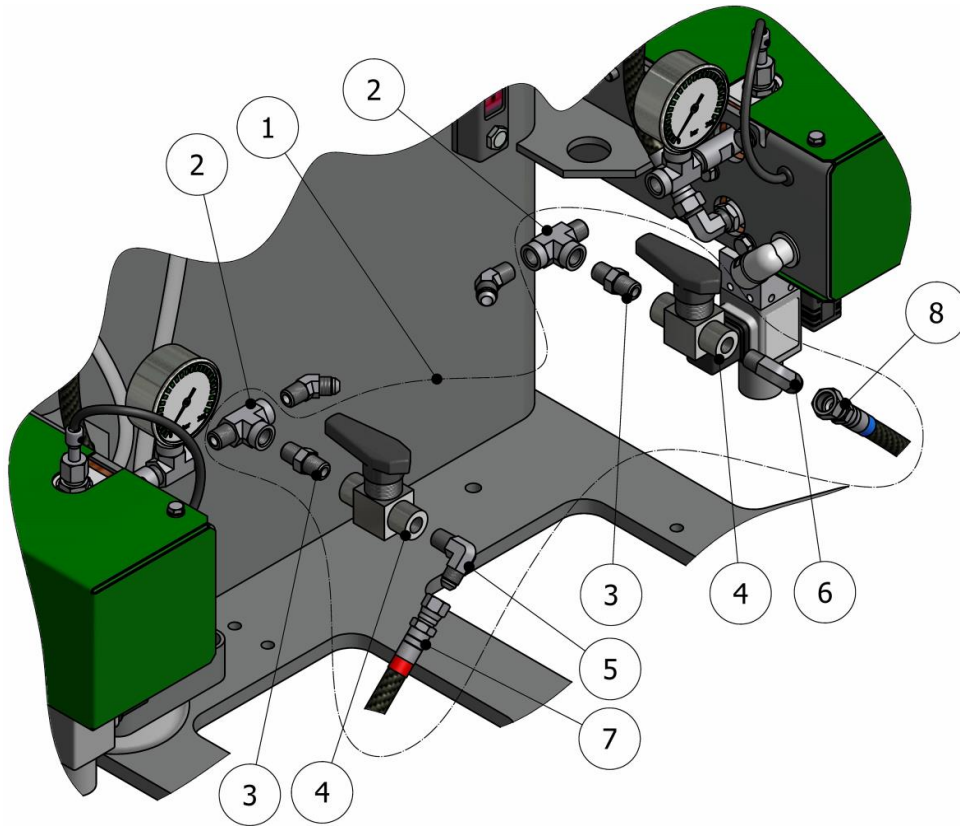


Figure 4. KT-00038-01 Assembly

Valid for hydraulic units except NOVAG-I model.

Recirculation heater to tank with dryer on ISO & POL, length hoses 3 m.



Table 5. KT-00038-01 Parts List

Item	Description	Part Number	Qty.
1	Recirculation Kit	KT-00038	1
2	"T" Union	RA-00018	2
3	Male Union	RA-00188	2
4	Ball Valve	RA-00217	2
5	Elbow 90° ISO Side	RA-00254	1
6	Elbow 90° POL Side	RA-00044	1
7	A-Hose	MA-00050-01	1
8	R-Hose	MA-00050-00	1
9	Assy. Connection to Tank with Filter (*)	MQ-05009-00	2
9.1	Body Connection	MQ-05010	1 (*)
9.2	Connection Tank	MQ-05009	1 (*)
9.3	Pipe	HI-00075	1 (*)
9.4	Extension	RA-00256	1 (*)
9.5	Elbow	RA-00257	1 (*)
9.6	Elbow for Pipe	RA-00200	1 (*)
9.7	O-Ring	OR-00055	2 (*)
9.8	O-Ring	OR-00011	1 (*)
9.9	Dehumidifier Filter	NE-00045	1 (*)

Notes:

Quantities per set.

(*) Items from 9.1 to 9.9 are included.

Valid for hydraulic units except NOVAG-I model.

Recirculation heater to tank with dryer on ISO & POL, length hoses 3 m.



RECIRC. KIT FOR ROUND HEATERS WITH DOUBLE DRYER

Valid only for round heaters

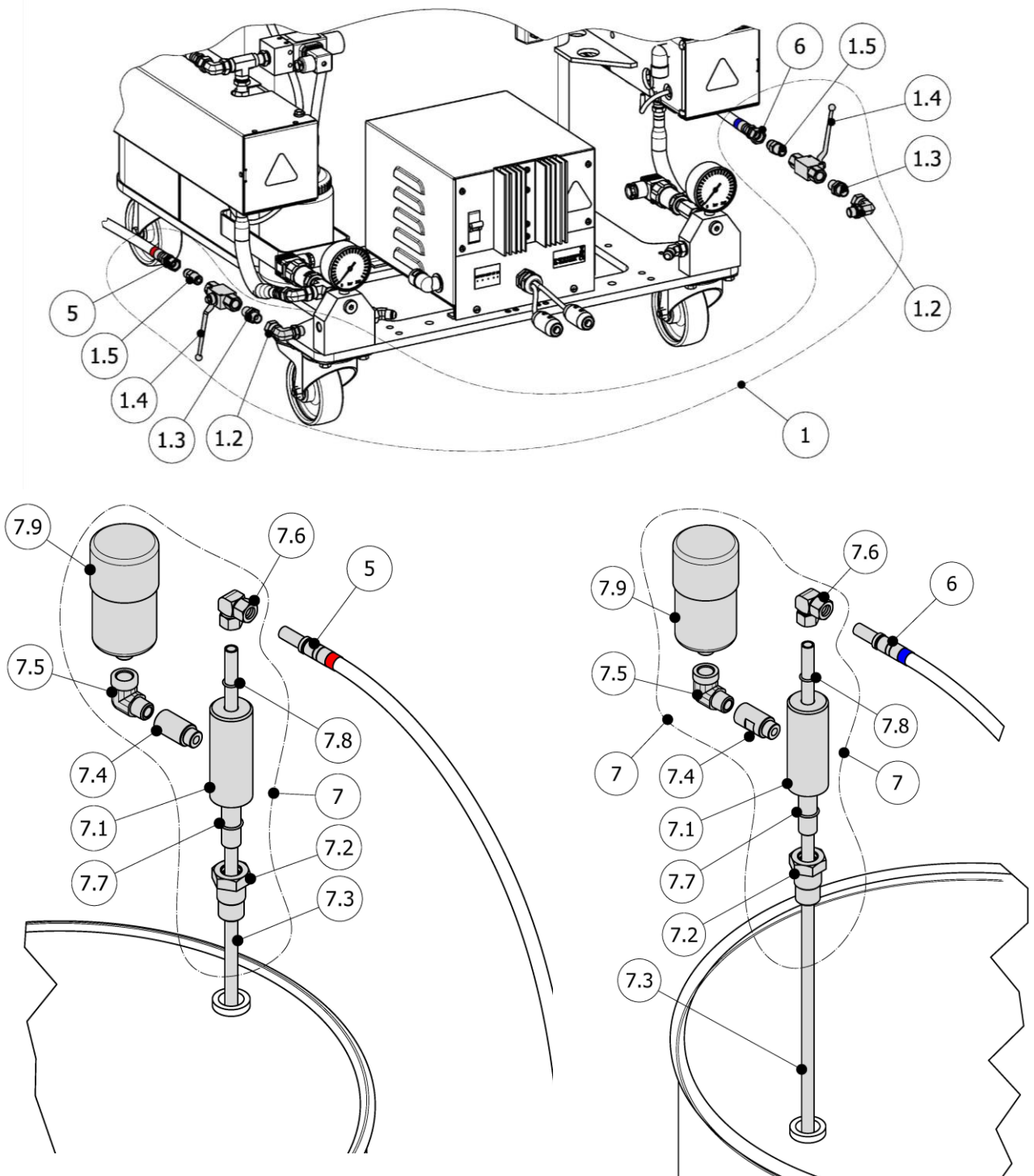


Figure 5. Recirc. Kit for Round Heaters with Double Dryer



Table 6. Recirc. Kit for Round Heaters with Double Dryer, Parts List

Item	Description	Part Number	Qty.
1	Recirc. KIT for Round Heaters with Double Dryer		1
1.2	Elbow 90°	RA-00496	2
1.3	Nipple	RA-00138	2
1.4	Ball Valve	RA-00217	2
1.5	“A” ISO Nipple	RA-00146	1
1.6	“R” POL Nipple	RA-00147	1
5	ISO Recirculation Hose	MA-00050-01	1
6	POL Recirculation Hose	MA-00050-00	1
7	Tank Adaptation Assy with Filter	MQ-05009-00	2
7.1	Drum Coupling Body	MQ-05010	1 (*)
7.2	Drum Coupling	MQ-05009	1 (*)
7.3	Drum Coupling Tube	HI-00075	1 (*)
7.4	Length	RA-00256	1 (*)
7.5	Elbow 90°	RA-00257	1 (*)
7.6	Elbow 90°	RA-00200	1 (*)
7.7	O-Ring	OR-00055	2 (*)
7.8	O-Ring	OR-00011	1 (*)
7.9	Dehumidifier Filter	NE-00045	1 (*)

() Unit quantities included in 1 set item 7.*



KT-00038-02

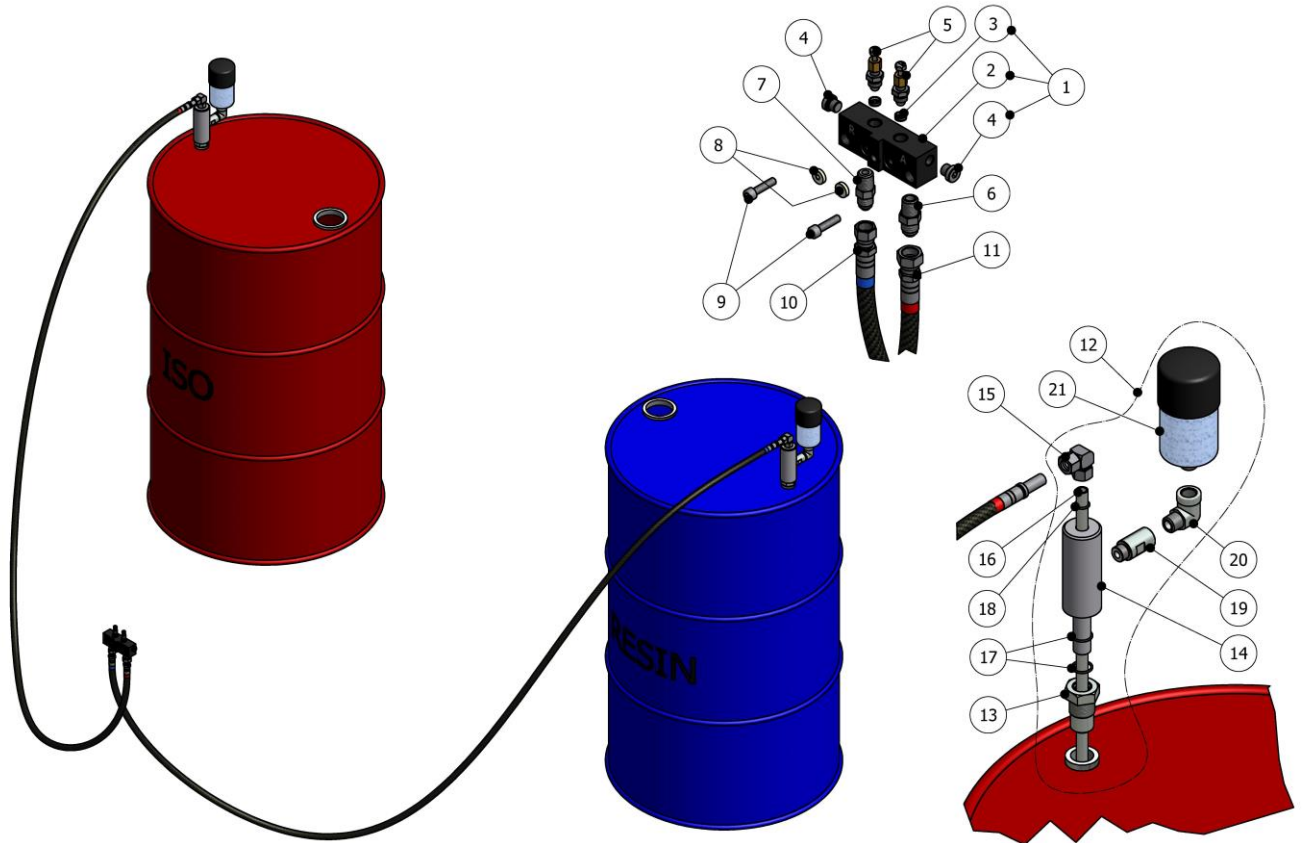


Figure 6. KT-00038-02 Assembly

Valid for hydraulic units except NOVAG-I model

Recirculation coupling block gun to tank with dryer on ISO & POL, length hoses 4 m.



Table 7. KT-00038-02 Parts List

Item	Description	Reference	Qty.
1	Recirculation Block Assembly (#)	GU-02137-00	1
2	Recirculation Coupling Block	GU-02137-01	1
3	Locking Ring	GU-02005-02	2
4	Plug	RA-00211	2
5	Manual Valve Assembly	GU-02020-00	2
6	Adapter	RA-00147	1
7	Adapter	RA-00146	1
8	Block Seal	GU-03012	2
9	Allen Screw	TN-00169	2
10	Hydraulic Hose 3/8" 4 m POL	MA-00050-04	1
11	Hydraulic Hose 3/8" 4 m ISO	MA-00050-05	1
12	Tank Adapter Kit with Dryer (*)	MQ-05009-00	2
13	Recirculation Adapter ISO Tank	MQ-05009	2
14	Body Tank Adapter	MQ-05010	2
15	Elbow for Pipe	RA-00200	2
16	Pipe	HI-00075	2
17	O-Ring	OR-00055	4
18	O-Ring	OR-00011	2
19	Lengthen	RA-00256	2
20	Elbow	RA-00257	2
21	Dryer	NE-00045	2

Notes:

Quantities per set.

(*) Items from 13 to 21 are included.

(#) Items from 2 to 4 are included.

Valid for hydraulic units except NOVAG-I model

Recirculation coupling block gun to tank with dryer on ISO & POL, length hoses 4 m.



KT-00038-03

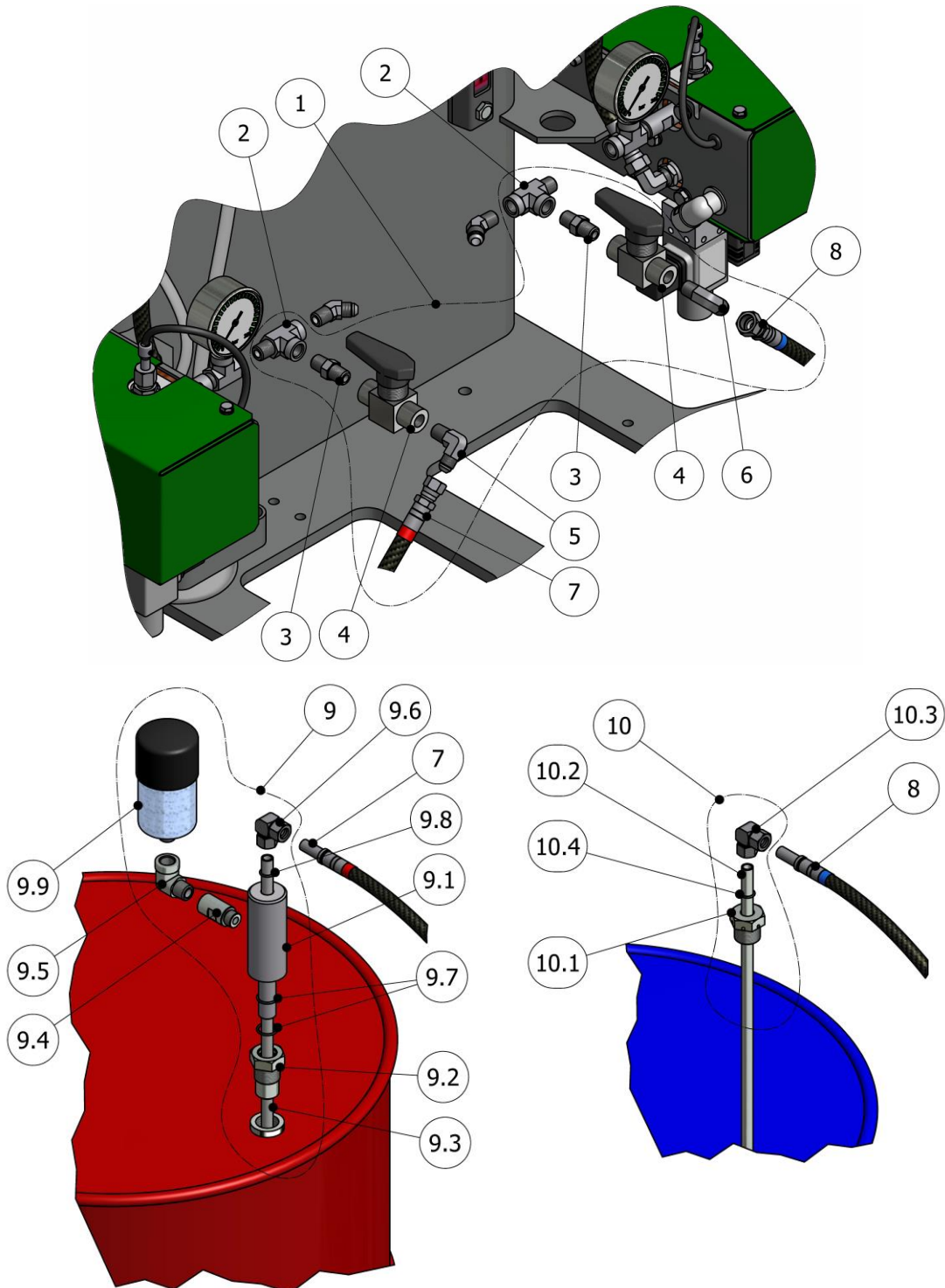


Figure 7. KT-00038-03 Assembly

Valid for hydraulic units except NOVAG-I model

Recirculation heater to tank with dryer only on ISO, length hoses 3 m



Table 8. KT-00038-03 Parts List

Item	Description	Part Number	Qty.
1	Recirculation Kit	KT-00038	1
2	"T" Union	RA-00018	2
3	Male Union	RA-00188	2
4	Ball Valve	RA-00217	2
5	Elbow 90° ISO Side	RA-00254	1
6	Elbow 90° POL Side	RA-00044	1
7	A-Hose	MA-00050-01	1
8	R-Hose	MA-00050-00	1
9	Assy. Connection to Tank with Filter (*)	MQ-05009-00	1
9.1	Body Connection	MQ-05010	1
9.2	Connection Tank	MQ-05009	1
9.3	Pipe	HI-00075	1
9.4	Extension	RA-00256	1
9.5	Elbow	RA-00257	1
9.6	Elbow for Pipe	RA-00200	1
9.7	O-Ring	OR-00055	2
9.8	O-Ring	OR-00011	1
9.9	Dehumidifier Filter	NE-00045	1
10	Assy. Connection to Tank w/o Filter (#)	MQ-05010-00	1
10.1	Connection Tank	MQ-05009-A	1
10.2	Pipe	HI-00075	1
10.3	Elbow for Pipe	RA-00200	1
10.4	O-ring	OR-00011	1

Notes:

Quantities per set.

(*) Items from 9.1 to 9.9 are included.

(#) Items from 10.1 to 10.4 are included.

Valid for hydraulic units except NOVAG-I model

Recirculation heater to tank with dryer only on ISO, length hoses 3 m



RECIRC. KIT FOR ROUND HEATERS WITH "A" ISO DRYER

Valid only for round heaters

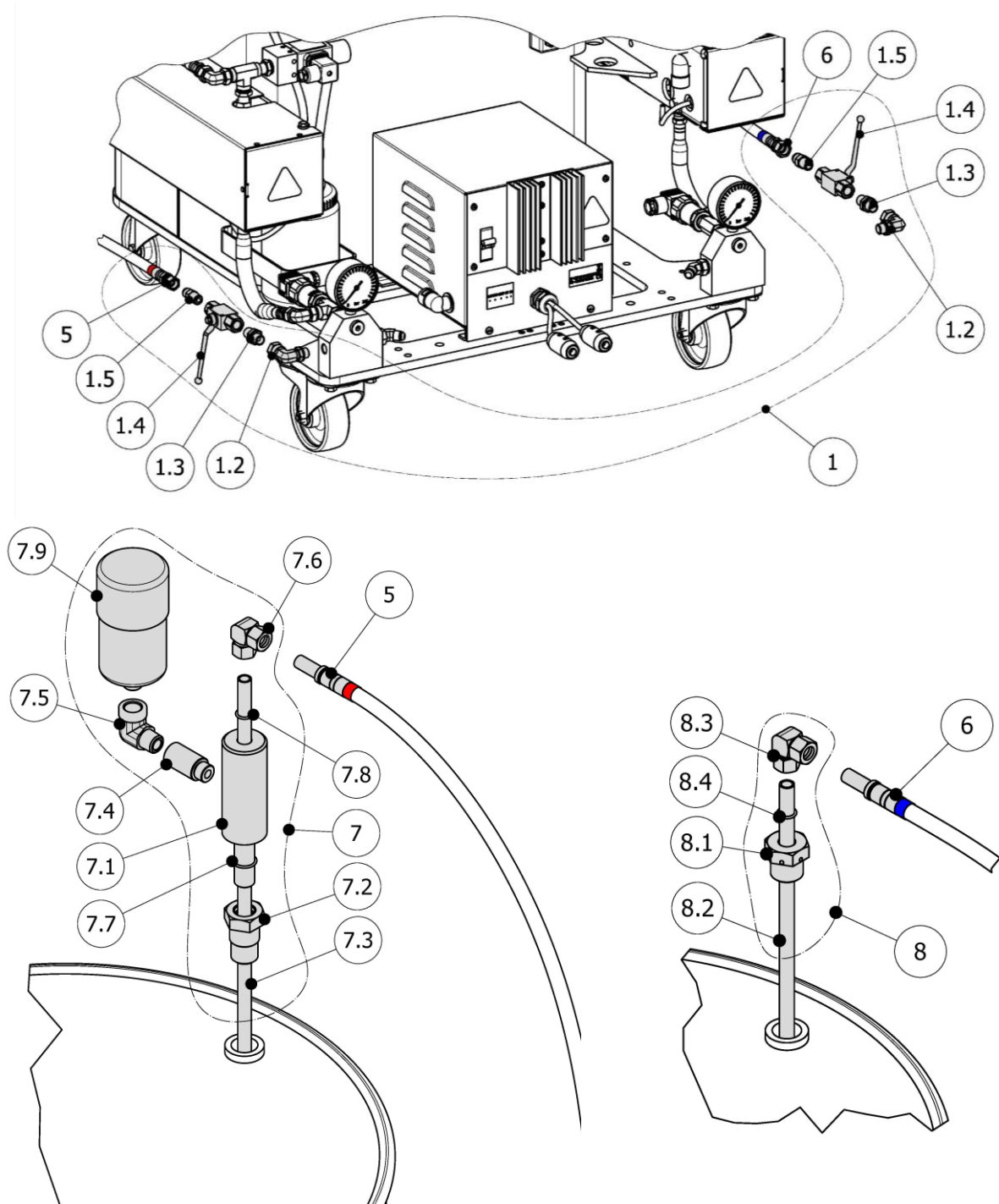


Figure 8. Recirc. Kit for Round Heaters with "A" ISO Dryer



Table 9. Recirc. Kit for Round Heaters with “A” ISO Dryer, Parts List

item	Description	Part Number	Qty.
1	Recirc. KIT for Round Heaters with “A” ISO Dryer		1
1.2	Elbow 90°	RA-00496	2
1.3	Nipple	RA-00138	2
1.4	Ball Valve	RA-00217	2
1.5	“A” ISO Nipple	RA-00146	1
1.6	“R” POL Nipple	RA-00147	1
5	ISO Recirculation Hose	MA-00050-01	1
6	POL Recirculation Hose	MA-00050-00	1
7	Tank Adapter Assy with Filter	MQ-05009-00	1
7.1	Drum Coupling Body	MQ-05010	1
7.2	Drum Coupling	MQ-05009	1
7.3	Drum Coupling Tube	HI-00075	1
7.4	Length	RA-00256	1
7.5	Elbow 90°	RA-00257	1
7.6	Elbow 90°	RA-00200	1
7.7	O-Ring	OR-00055	2
7.8	O-Ring	OR-00011	1
7.9	Dehumidifier Filter	NE-00045	1
8	Tank Adapter Assy without Filter	MQ-05010-00	1
8.1	Drum Coupling	MQ-05009-A	1
8.2	Drum Coupling Tube	HI-00075	1
8.3	Elbow 90°	RA-00200	1
8.4	O-Ring	OR-00011	1



KT-00038-06

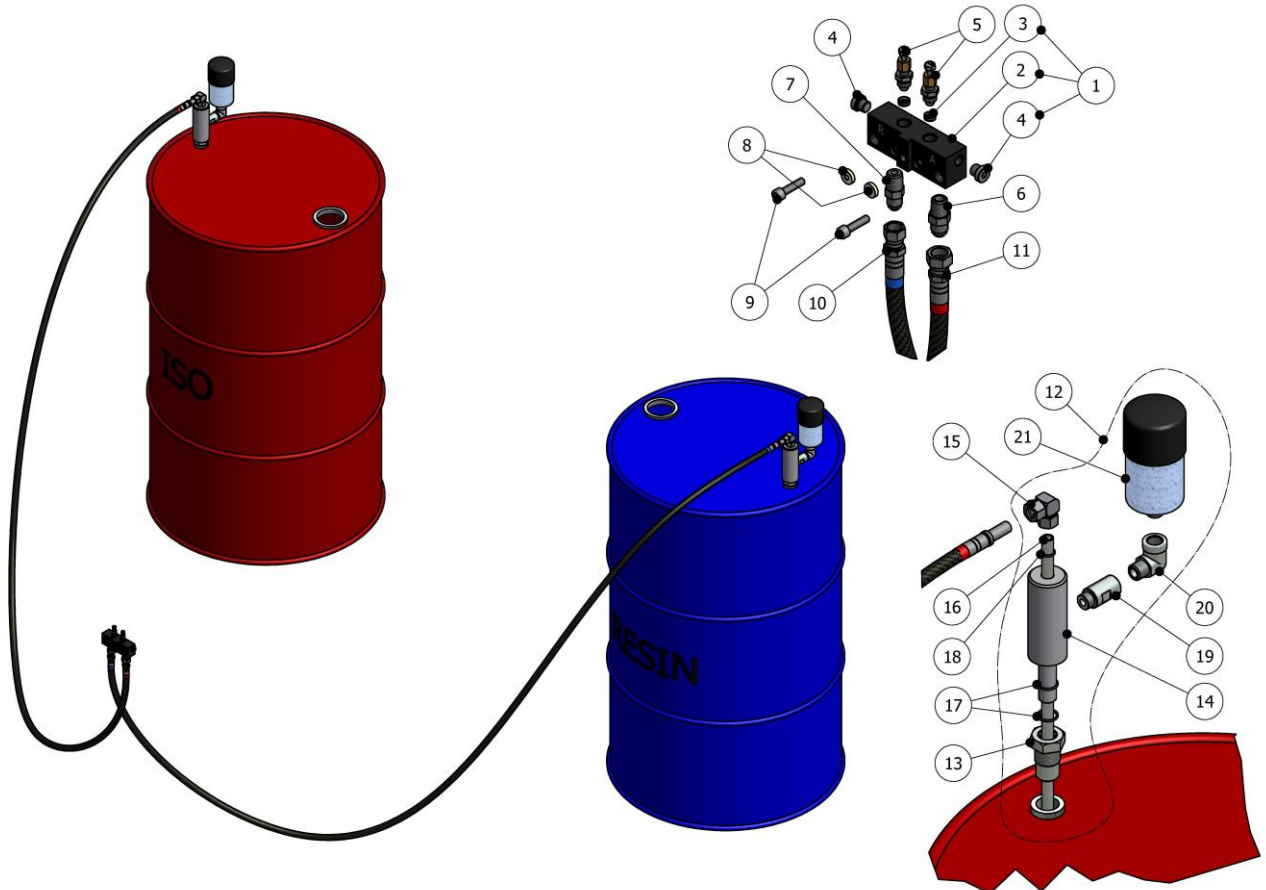


Figure 9. KT-00038-06 Assembly

Valid for hydraulic units except NOVAG-I model.

Recirculation coupling block gun to tank with dryer on ISO & POL, length hoses 5 m.



Table 10. KT-00038-06 Parts List

Item.	Description	Reference	Qty.
1	Recirculation Block Assembly (#)	GU-02137-00	1
2	Recirculation Coupling Block	GU-02137-01	1
3	Locking Ring	GU-02005-02	2
4	Plug	RA-00211	2
5	Manual Valve Assembly	GU-02020-00	2
6	Adapter	RA-00147	1
7	Adapter	RA-00146	1
8	Block Seal	GU-03012	2
9	Allen Screw	TN-00169	2
10	Hydraulic Hose 3/8" 5 m ISO	MA-00050-07	1
11	Hydraulic Hose 3/8" 5 m POL	MA-00050-06	1
12	Tank Adapter Kit with Dryer (*)	MQ-05009-00	2
13	Recirculation Adapter ISO Tank	MQ-05009	2
14	Body Tank Adapter	MQ-05010	2
15	Elbow for Pipe	RA-00200	2
16	Pipe	HI-00075	2
17	O-Ring	OR-00055	4
18	O-Ring	OR-00011	2
19	Lengthen	RA-00256	2
20	Elbow	RA-00257	2
21	Dryer	NE-00045	2

Notes:

Quantities per set.

(*) Items from 13 to 21 are included.

(#) Items from 2 to 4 are included.

Valid for hydraulic units except novG-I model.

Recirculation coupling block gun to tank with dryer on ISO & POL, length hoses 5 m.



KT-00038-11

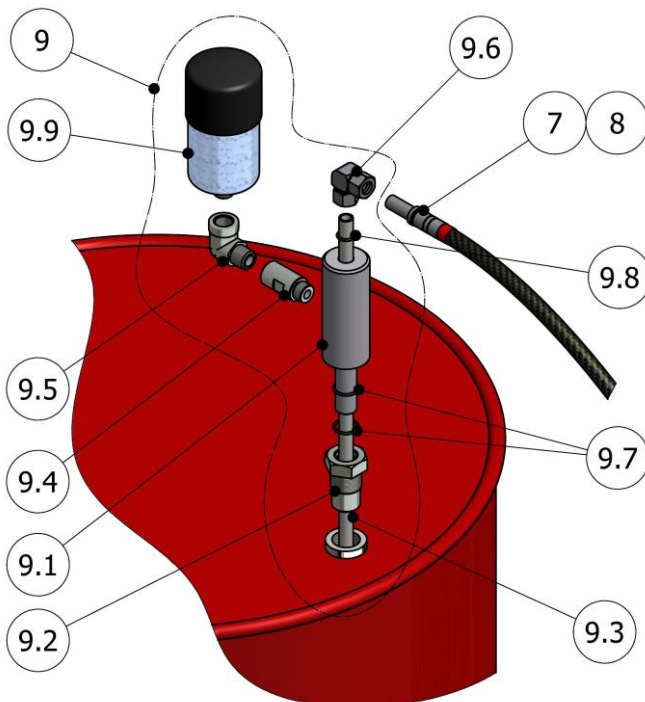
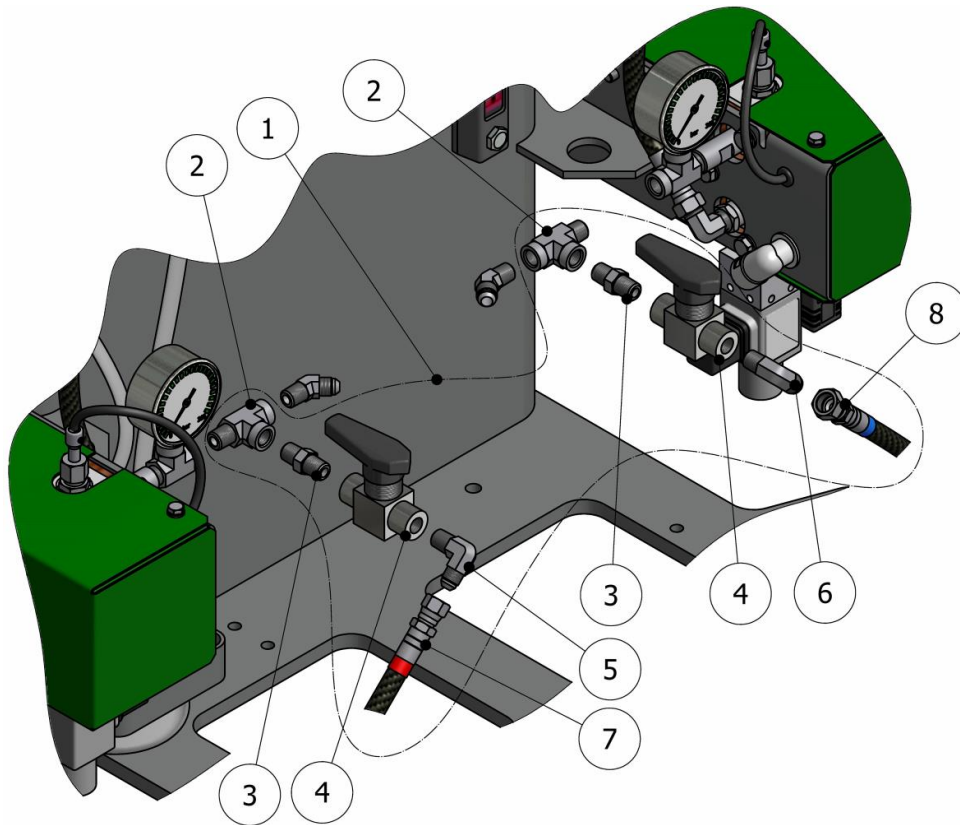


Figure 10. KT-00038-11 Assembly

Valid for hydraulic units except NOVAG-I model.

Recirculation heater to tank with dryer on ISO & POL, length hoses 5 m.



Table 11. KT-00038-11 Parts List

Item	Description	Part Number	Qty.
1	Recirculation Kit	KT-00038	1
2	"T" Union	RA-00018	2
3	Male Union	RA-00188	2
4	Ball Valve	RA-00217	2
5	Elbow 90° ISO Side	RA-00254	1
6	Elbow 90° POL Side	RA-00044	1
7	A-Hose	MA-00050-07	1
8	R-Hose	MA-00050-06	1
9	Assy. Connection to Tank with Filter (*)	MQ-05009-00	2
9.1	Body Connection	MQ-05010	1 (*)
9.2	Connection Tank	MQ-05009	1 (*)
9.3	Pipe	HI-00075	1 (*)
9.4	Extension	RA-00256	1 (*)
9.5	Elbow	RA-00257	1 (*)
9.6	Elbow for Pipe	RA-00200	1 (*)
9.7	O-Ring	OR-00055	2 (*)
9.8	O-Ring	OR-00011	1 (*)
9.9	Dehumidifier Filter	NE-00045	1 (*)

Notes:

Quantities per set.

(*) Items from 9.1 to 9.9 are included.

Valid for hydraulic units except NOVAG-I model.

Recirculation heater to tank with dryer on ISO & POL, length hoses 5 m.



NKT-00038-12

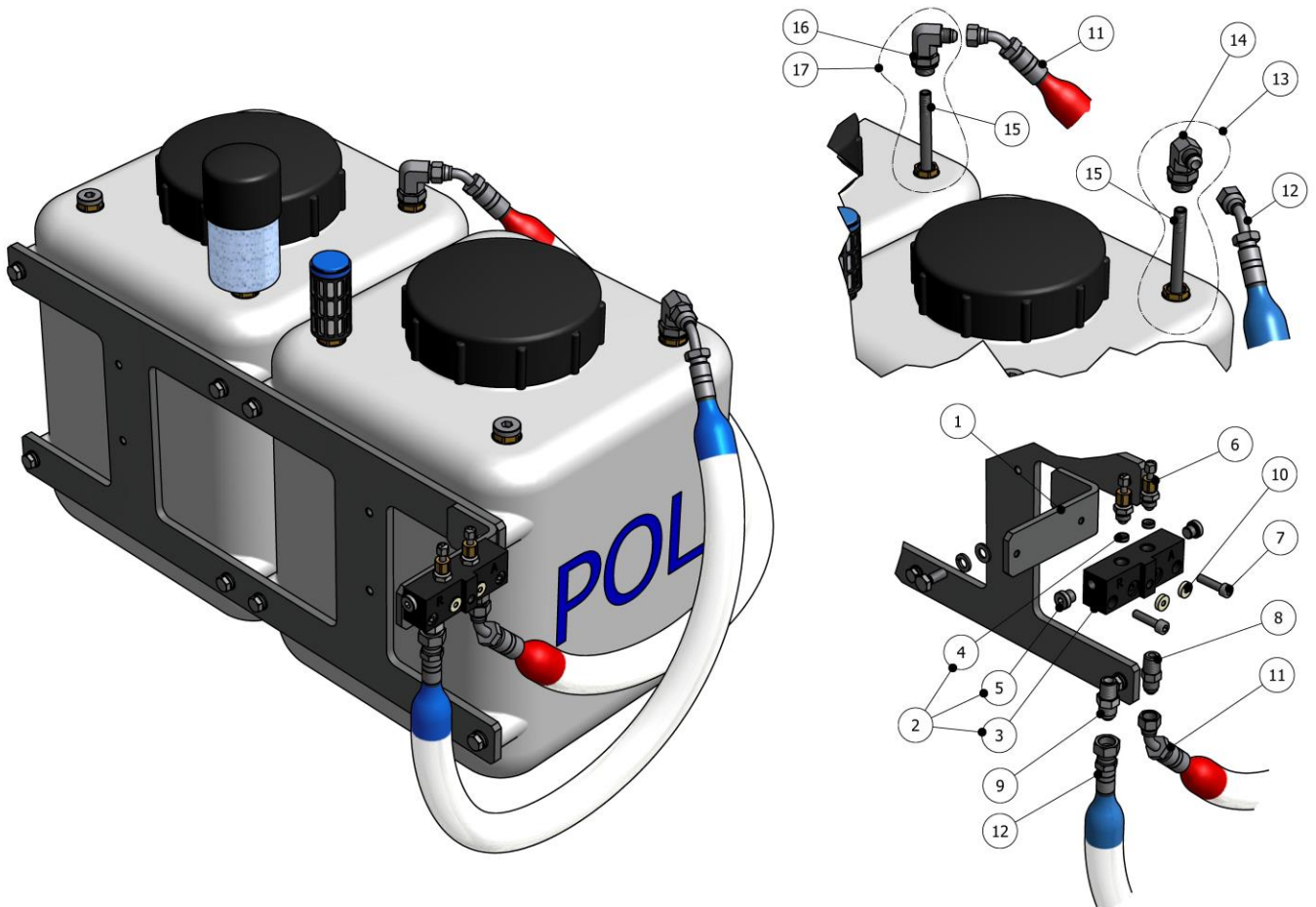


Figure 11. NKT-00038-12 Assembly

Valid for hydraulic units NOVAG-I model.

Recirculation coupling block gun to tank with straight pipe, length hoses 1 m.



Table 12. NKT-00038-12 Parts List

Item.	Description	Reference	Qty.
1	Recirculation Coupling Block Support	NMQ-01017-01	1
2	Recirculation Block Assembly (@)	GU-02137-00	1
3	Recirculation Coupling Block	GU-02137-01	1
4	Locking Ring	GU-02005-02	2
5	Plug	RA-00211	2
6	Manual Valve	GU-02020-00	2
7	Allen Screw	TN-00169	2
8	Adapter	RA-00146	1
9	Adapter	RA-00147	1
10	Seal Block	GU-03012	2
11	Hydraulic Hose 3/8" 1 m - ISO	MA-	1
12	Hydraulic Hose 3/8" 1 m - POL	MA-	1
13	Elbow Assy. with POL threaded Pipe (*)	RA-00352	1
14	Elbow with internal thread	RA-00352-01	1
	Elbow (Raw Material)	RA-00344	
15	Pipe	RA-00352-02	1+1
16	Elbow with internal thread	RA-00351-01	1
	Elbow (Raw Material)	RA-00345	
17	Elbow Assy. with ISO threaded Pipe (#)	RA-00351	1

Notes:

Quantities per set.

(@) Items from 3 to 5 are included.

(*) Items 14 & 15 are included.

(#) Items 15 & 16 are included.

Valid for hydraulic units NOVAG-I model.

Recirculation coupling block gun to tank with straight pipe, length hoses 1 m.



NKT-00038-13

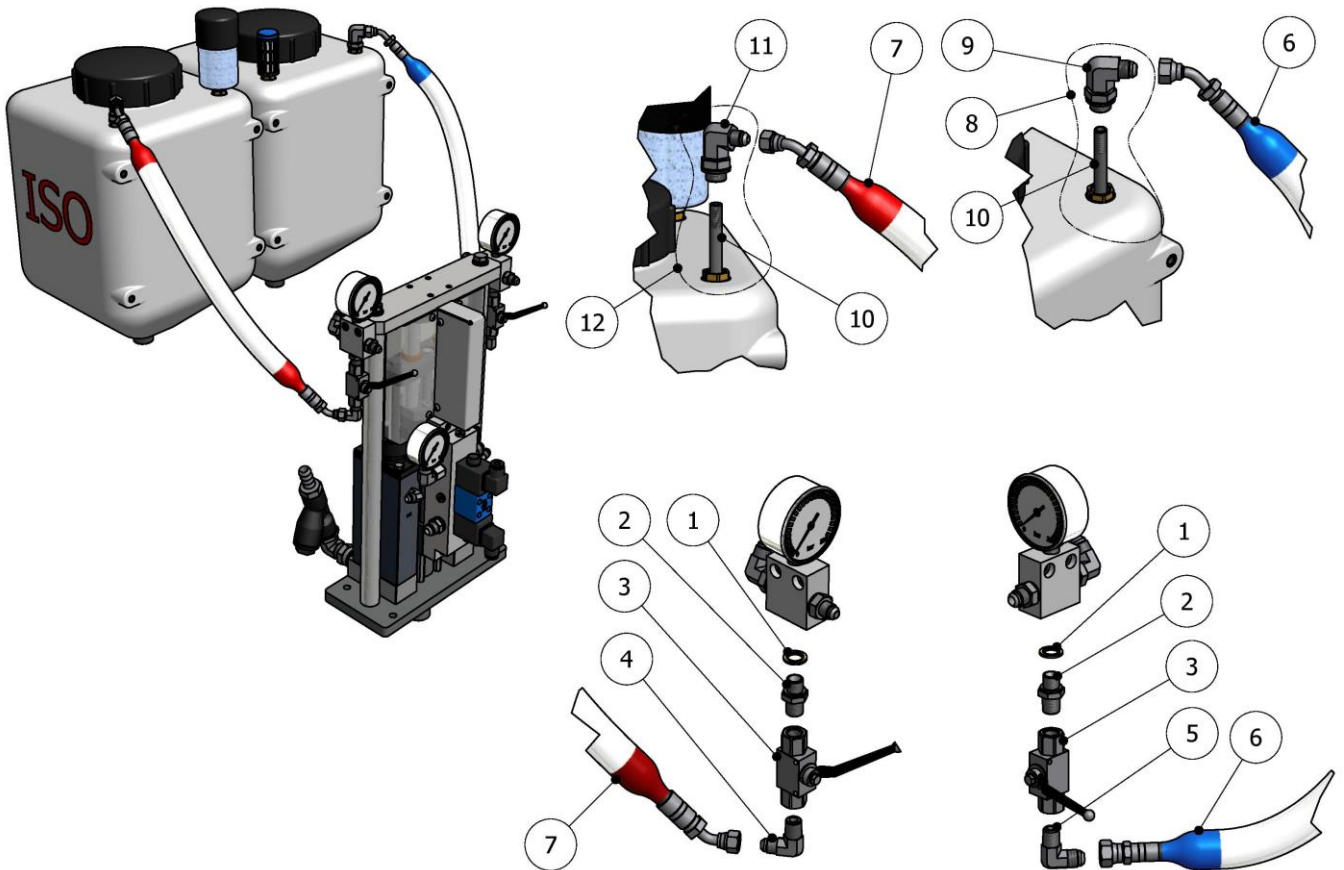


Figure 12. NKT-00038-13 Assembly

Valid for hydraulic units NOVAG-I model.

Recirculation heater to tank with straight pipe, length hoses 0.75 m.



Table 13. NKT-00038-13 Parts List

Item.	Description	Reference	Qty.
1	Metal Seal ring	OR-00054	2
2	Nipple	RA-00138	2
3	Ball Valve	RA-00217	2
4	90° Elbow ISO	RA-00254	1
5	90° Elbow POL	RA-00044	1
6	Hydraulic Hose 3/8" 0.75 m POL	MA-00050-02	1
7	Hydraulic Hose 3/8" 0.75 m ISO	MA-00050-03	1
8	Elbow Assy. with POL threaded Pipe	RA-00352	1 (#)
9	Elbow with internal thread	RA-00352-01	1 (*)
	Elbow (Raw Material)	RA-00344	
10	Pipe	RA-00352-02	1+1 (*)
11	Elbow with internal thread	RA-00351-01	1 (*)
	Elbow (Raw Material)	RA-00345	
12	Elbow Assy. with ISO threaded Pipe	RA-00351	1 (\$)

Notes:

(*) Quantities per set.

(#) Items 9 & 10 are included.

(\$) Items 10 & 11 are included.

Valid for hydraulic units NOVAG-I model.

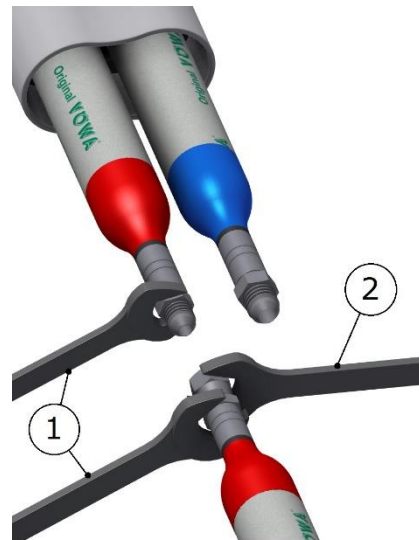
Recirculation heater to tank with straight pipe, length hoses 0.75 m.



METHOD OF THREADED UNION OF THE HOSES

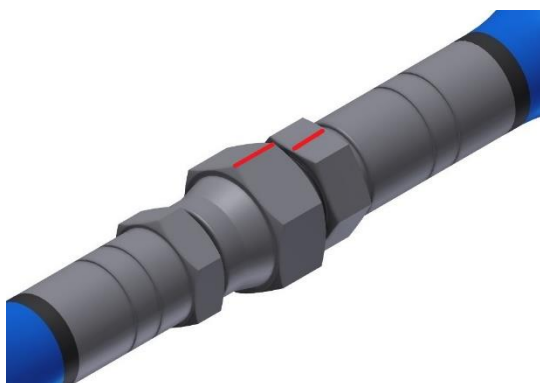
Follow the torques for threaded joints listed in **Table 14**. According to thread sizes of hose fittings to ensure their proper assembly.

There is also an alternative procedure to obtain an equivalent torque without using special tools: joint both ends of the hoses to be connected, tighten a swivel nut by hand (without using spanner) until there is resistance on the nut. Fit two spanners (1) on the fixed ends of the hoses and turn the swivel nut with a third spanner (2) as many flats from wrench resistance (FFWR) as indicated in **Table 14**.



THREAD SIZE	TORQUE Nm	FFWR
1/2"-20	23	2 (or 120°)
9/16"-18	30	1-1/2 (or 90°)

NOTE: 1 FFWR corresponds to one complete shear of a flat marked with red between swivel and fitting or else 60°.





CONTENT

Warranty	2
Safety and Handling	3
Recirculation Kits	4
KT-00038	5
Recirc. KIT for Round Heaters without Dryers	7
NKT-00038	8
KT-00038-01	10
Recirc. KIT for Round Heaters with Double Dryer	12
KT-00038-02	14
KT-00038-03	16
Recirc. KIT for Round Heaters with "A" ISO Dryer	18
KT-00038-06	20
KT-00038-11	22
NKT-00038-12	24
NKT-00038-13	26
Method of Threaded Union of the Hoses	28
Content	29
List of Figures	30
List of Tables	30



LIST OF FIGURES

Figure 1. KT-00038 Assembly	5
Figure 2. Recirc. Kit for Round Heaters without Dryers	7
Figure 3. NKT-00038 Assembly	8
Figure 4. KT-00038-01 Assembly	10
Figure 5. Recirc. Kit for Round Heaters with Double Dryer	12
Figure 6. KT-00038-02 Assembly	14
Figure 7. KT-00038-03 Assembly	16
Figure 8. Recirc. Kit for Round Heaters with "A" ISO Dryer	18
Figure 9. KT-00038-06 Assembly	20
Figure 10. KT-00038-11 Assembly	22
Figure 11. NKT-00038-12 Assembly	24
Figure 12. NKT-00038-13 Assembly	26

LIST OF TABLES

Table 1. Quick Reference	4
Table 2. KT-00038 Parts List	6
Table 3. Recirc. Kit for Round Heaters without Dryers, Parts List	7
Table 4. NKT-00038 Parts List	9
Table 5. KT-00038-01 Parts List	11
Table 6. Recirc. Kit for Round Heaters with Double Dryer, Parts List	13
Table 7. KT-00038-02 Parts List	15
Table 8. KT-00038-03 Parts List	17
Table 9. Recirc. Kit for Round Heaters with "A" ISO Dryer, Parts List	19
Table 10. KT-00038-06 Parts List	21
Table 11. KT-00038-11 Parts List	23
Table 12. NKT-00038-12 Parts List	25
Table 13. NKT-00038-13 Parts List	27
Table 14. Tightening Threaded Joints	28